

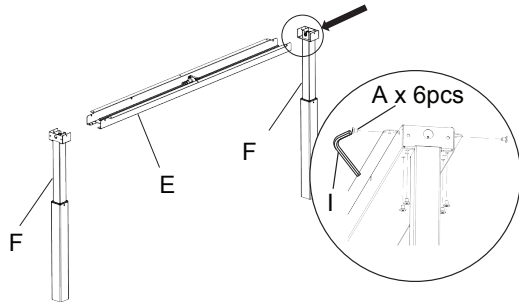


ASSEMBLY INSTRUCTIONS

1. TABLE TOP NOT INCLUDED

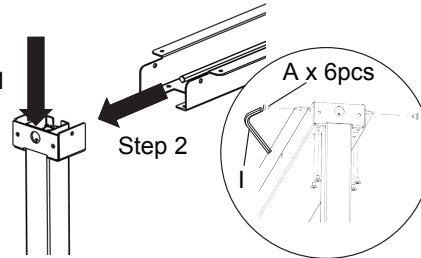
Step 1: Insert 1 end first

Step 2: Ensure metal bar is fully inserted into gear



2. Inserting the other end of the metal bar column

Step 1

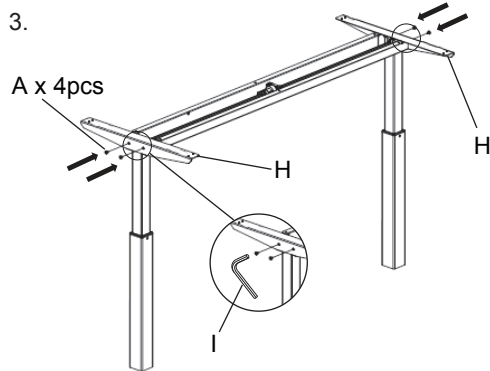


Step 1: Press down on the edge of the metal leg and the gear wheel will slightly twist to fit the metal bar

Step 2: Ensure metal bar is fully inserted into gear

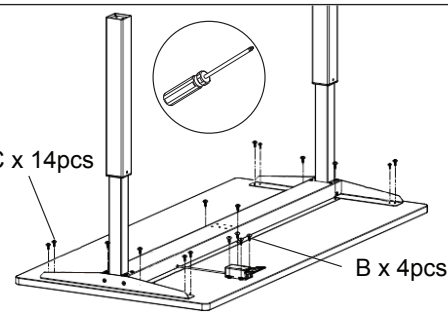
3.

A x 4pcs



4.

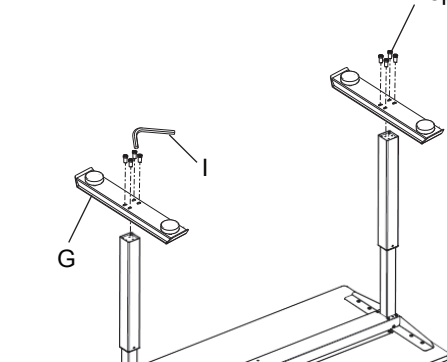
C x 14pcs



Ensure Base is properly aligned to table before screwing

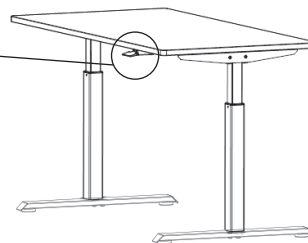
5.

D x 8pcs









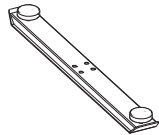
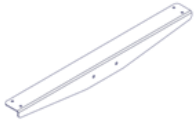

6. Carefully turn table upright. Two people recommended

Pull trigger to operate



CAUTION

Please ensure that space below/ above is clear when the table is moving up/ down

<p>A.</p>  <p>4mm 16 PCS</p>	<p>B.</p>  <p>4 PCS</p>	<p>C.</p>  <p>14 PCS</p>
<p>D.</p>  <p>5mm 8 PCS</p>	<p>E.</p>  <p>1 PC</p>	<p>F.</p>  <p>2 PCS</p>
<p>G.</p>  <p>2 PCS</p>	<p>H.</p>  <p>2 PCS</p>	<p>I.</p>  <p>1 PC</p>

OPERATING INSTRUCTIONS

Move up

To lift up the table, press the trigger then lift up the table using both hands

Move down

To move down the table, press the trigger then press down on the table using both hands

Model: ALE-HTPN1B

Manufactured for/ Hecho para/ Fabriqué pour Alera®/ Essendant Co.,
One Parkway North, Deerfield, IL 60015 © 2015 Essendant Co.

Made in/ Hecho en/ Fabriqué en Taiwan

Product support and parts: 1-800-733-4000

Ayuda del producto y partes / Support technique et pieces