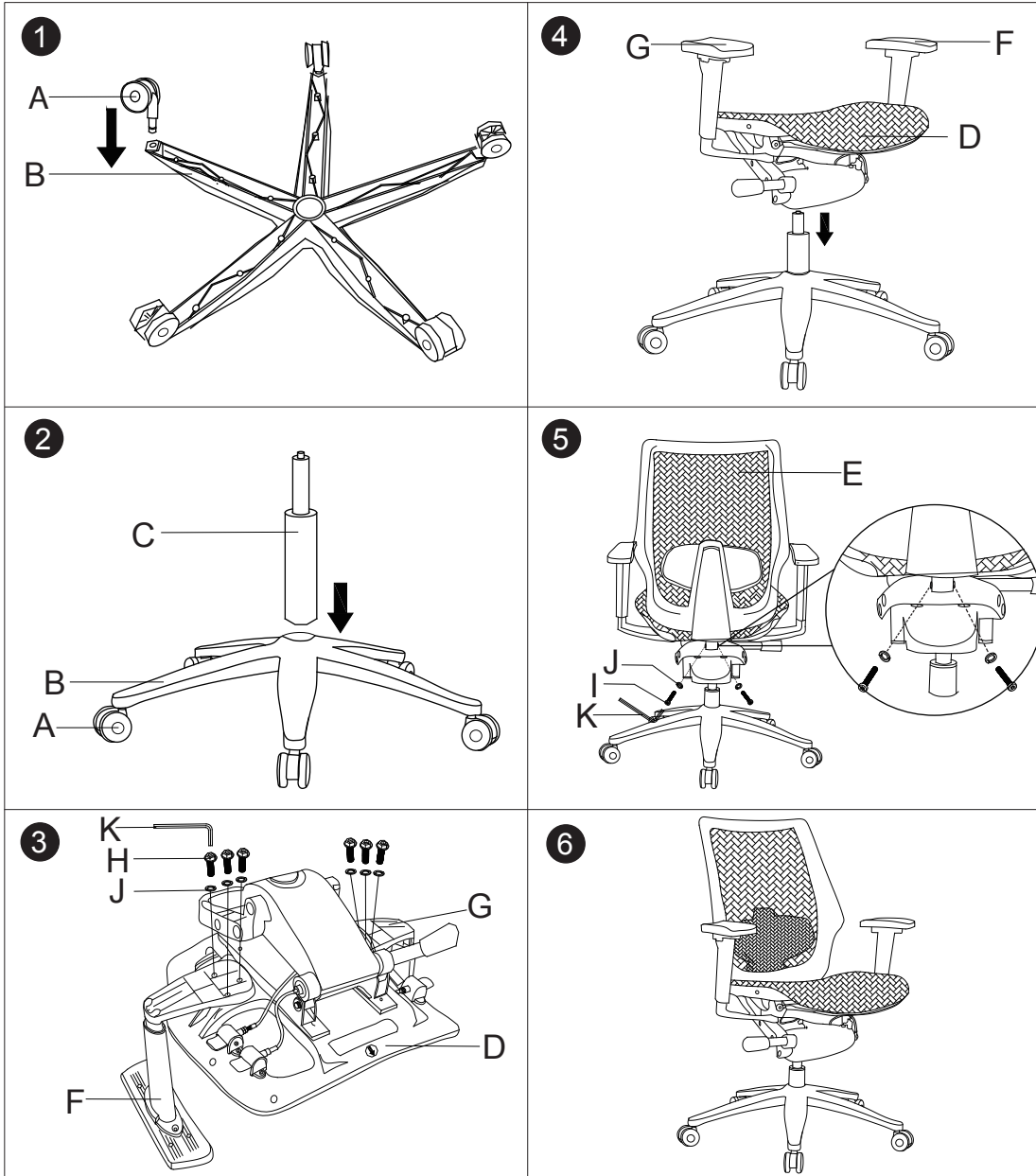

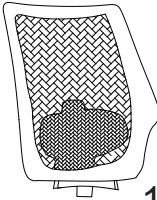
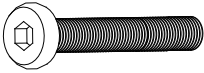
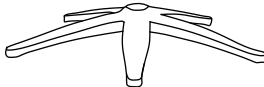
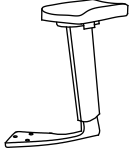
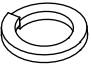

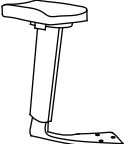

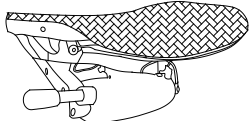
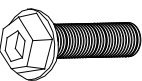




ASSEMBLY INSTRUCTIONS



<p>A.</p>  <p>5PCS</p>	<p>E.</p>  <p>1PC</p>	<p>I.</p>  <p>2PCS</p>
<p>B.</p>  <p>1PC</p>	<p>F.</p>  <p>1PC</p>	<p>J.</p>  <p>8PCS</p>
<p>C.</p>  <p>1PC</p>	<p>G.</p>  <p>1PC</p>	<p>K.</p>  <p>1PC</p>
<p>D.</p>  <p>1PC</p>	<p>H.</p>  <p>6PCS</p>	

Model: ALE-KE4218

Manufactured for/ Hecho para/ Fabriqué pour Alera®/ Essendant Co.,
One Parkway North, Deerfield, IL 60015 © 2015 Essendant Co.

Made in/ Hecho en/ Fabriqué en China

Product support and parts: 1-800-733-4000

Ayuda del producto y partes / Support technique et pieces

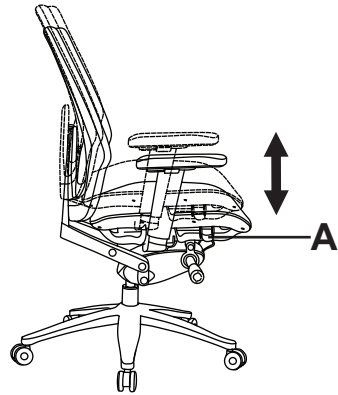
08-015/3

OPERATING INSTRUCTIONS

ALE-KE4218

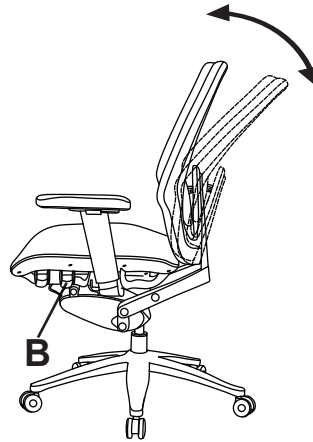
A. Seat height adjustment

To raise the seat height, stand up from the chair while lifting the lever (A) under the right side of the seat. To lower the seat height, lift the lever (A) while sitting in the chair.



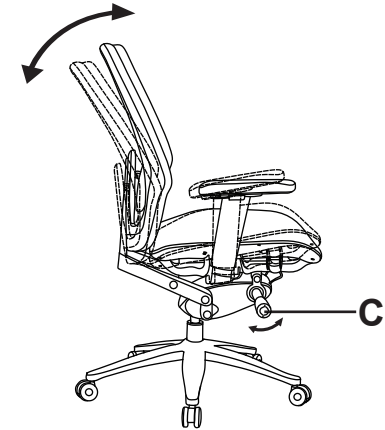
B. Back angle adjustment

Push the lever (B) downward, Leaning back will cause the chair back to tilt backwards. To lock the chair back in the upright or vertical position, sit upright and push the lever (B) upward.



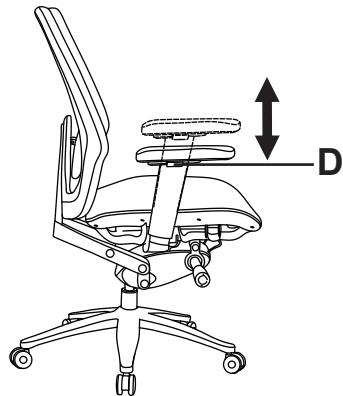
C. Tilt tension

Knob underneath seat adjusts angle and ease with which chair reclines to the different weights and strengths for different users. To increase tension, turn knob to the right. To release tension(loosen), turn knob to the left.



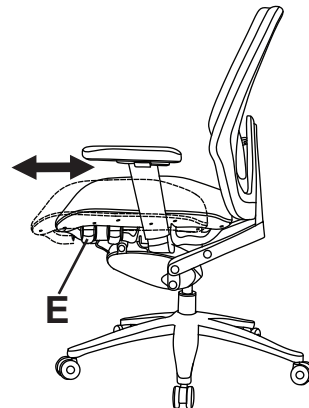
D. Arm height adjustment

To adjust arm height, push the button on the outside of each arm and move the arm up or down. Release the button to set the height.



E. Sliding seat adjustment

Push the lever (E) upward to allow seat to slide forward or backward. Release handle to lock in desired seat position.



F. Arm forward and backward adjustment

Push the arm cover (F) forward or pull the arm cover (F) backward.

