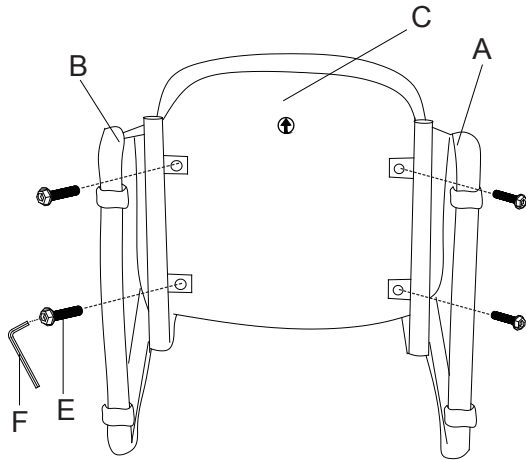


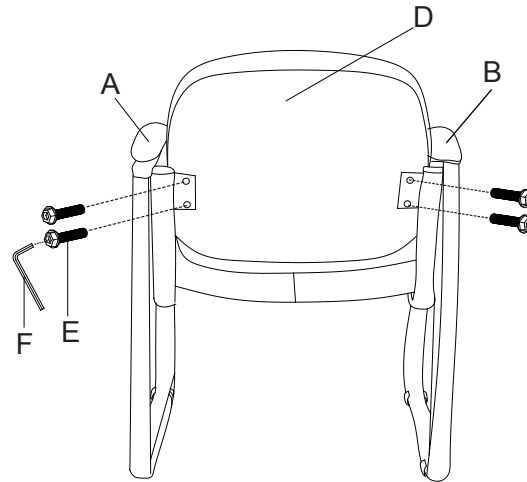


ASSEMBLY INSTRUCTIONS

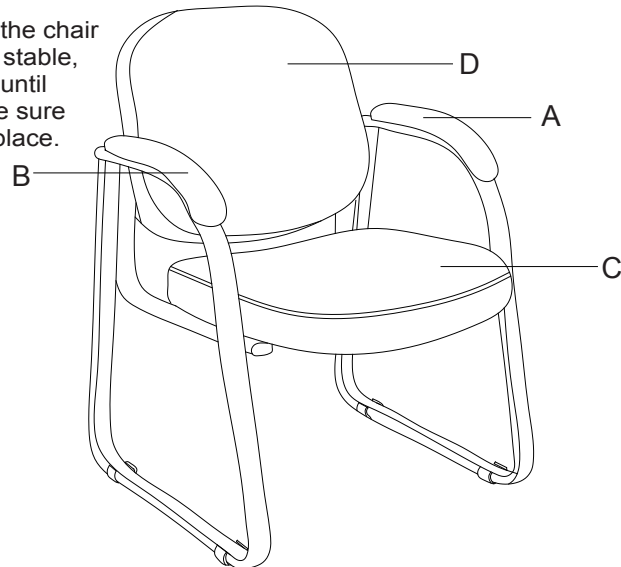
1. Attach left and right metal frame (A&B) to seat cushion (C) by inserting 4 screws (E). Only tighten screws enough to make them stay in position.

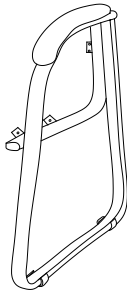
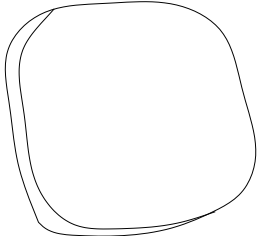
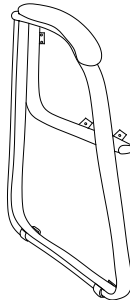
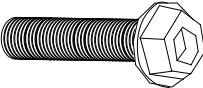
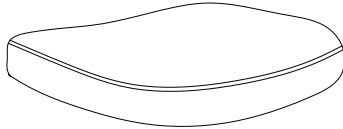



2. Attach back cushion (D) to the frame (A&B) by inserting 4 screws (E). Adjust chair until stable, then tighten all screws.



3. Check the chair to make sure that the chair is steady and stable. If chair is not stable, loosen all screws, reposition chair until stable and tighten all screws. Make sure that screws are tight and firmly in place.



A.  1 PC	D.  1 PC
B.  1 PC	E.  8 PCS
C.  1 PC	F.  1 PCS

Model: ALE-RL43C16

Manufactured for/ Hecho para/ Fabriqué pour Alera®/ Essendant Co.,
One Parkway North, Deerfield, IL 60015 © 2015 Essendant Co.

Made in/ Hecho en/ Fabriqué en China

Product support and parts: 1-800-733-4000

Ayuda del producto y partes / Support technique et pieces