



**ORGANIZER HUTCH**  
Organizador  
Surmeuble

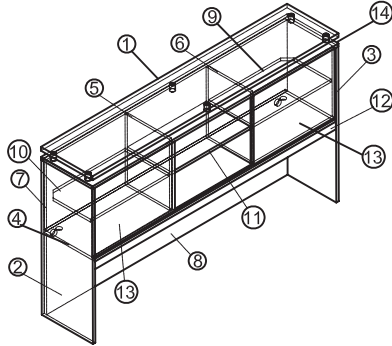
**ALE-SE266615**

**TOOLS REQUIRED**

herramientas necesarias



**TWO PEOPLE REQUIRED**  
Dos personas requeridas



**Important:**

All parts should be identified and matched up against the parts list. It is advisable to assemble on carpet to avoid scratches. **DO NOT USE POWER TOOLS TO ASSEMBLE YOUR FURNITURE. POWER TOOLS MAY STRIP OR DAMAGE THE PARTS.**

**Importante:**

Todas las piezas deben ser identificadas y comparadas con la lista de piezas. Es aconsejable hacer el ensamble sobre una alfombra para evitar raspaduras. **NO USE HERRAMIENTAS ELECTRICAS PARA MONTAR SUS MUEBELS. HERRAMIENTAS ELECTRICAS SE PUEDEN DANAR O ESTROPEAR LOS COMPONENTS.**

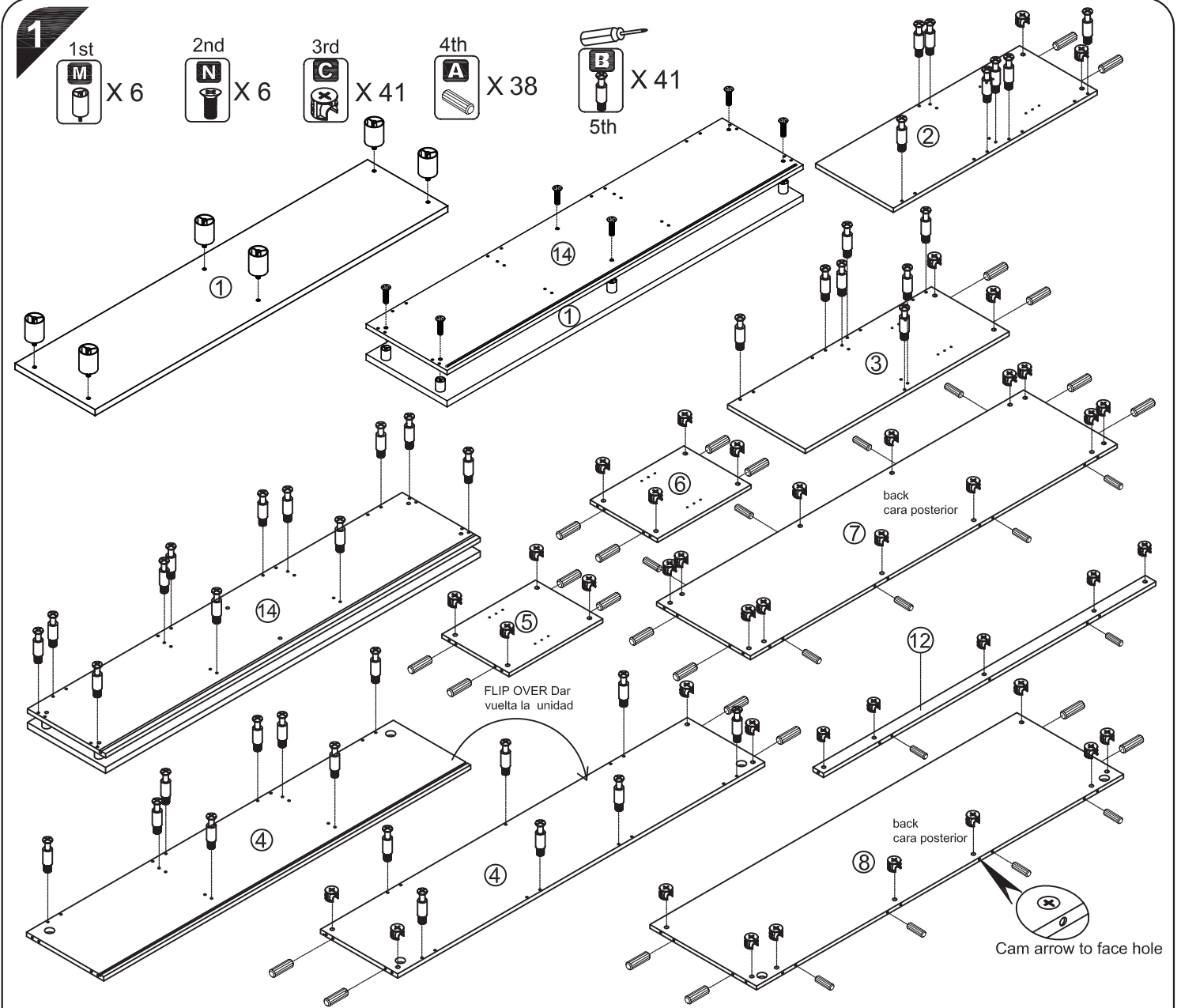
PART Pieza	ITEM Descripcion	QTY Cant	
⑩	LEFT ADJUSTABLE SHELF estante regulable	1	
⑪	MIDDLE ADJUSTABLE SHELF estante regulable	1	
⑫	VALANCE moldura	1	
⑬	DOOR puerta	2	
⑭	LOWER TOP PANEL	1	

<b>A</b>	DOWEL espiga	38	
<b>B</b>	SCREWBOLT perno tornillo	41	
<b>C</b>	CONNECTOR HOUSING receptaculo conector	41	
<b>D</b>	GROMMET cable ojal	4	
<b>E</b>	nylon pulley	4	
<b>F</b>	SCREW torillo cabeza 3*16mm	16	
<b>G</b>	L-BRACKET mensula "L" 78*57*15mm	2	
<b>H</b>	SCREW torillo cabeza 4*16mm	10	
<b>I</b>	CAM STICKER tapa	41	
<b>J</b>	DOOR STOP tope de puerta	4	
<b>K</b>	EVA TAPE 379*18*2mm	2	
<b>L</b>	SHELF SUPPORT apoyo-estante	12	
<b>M</b>	ALUMINUM SPACER	6	
<b>N</b>	SCREW torillo cabeza 6*25mm	6	

PART Pieza	ITEM Descripcion	QTY. Cant	
①	UPPER TOP PANEL	1	
②	LEFT SIDE PANEL panel lateral izquierdo	1	
③	RIGHT SIDE PANEL panel lateral derecho	1	
④	MIDDLE SHELF estante central	1	
⑤	LEFT DIVIDER divisor izquierdo	1	
⑥	RIGHT DIVIDER divisor derecho	1	
⑦	UPPER BACK PANEL panel posterior superior	1	
⑧	LOWER BACK PANEL panel posterior inferior	1	
⑨	RIGHT ADJUSTABLE SHELF estante regulable	1	

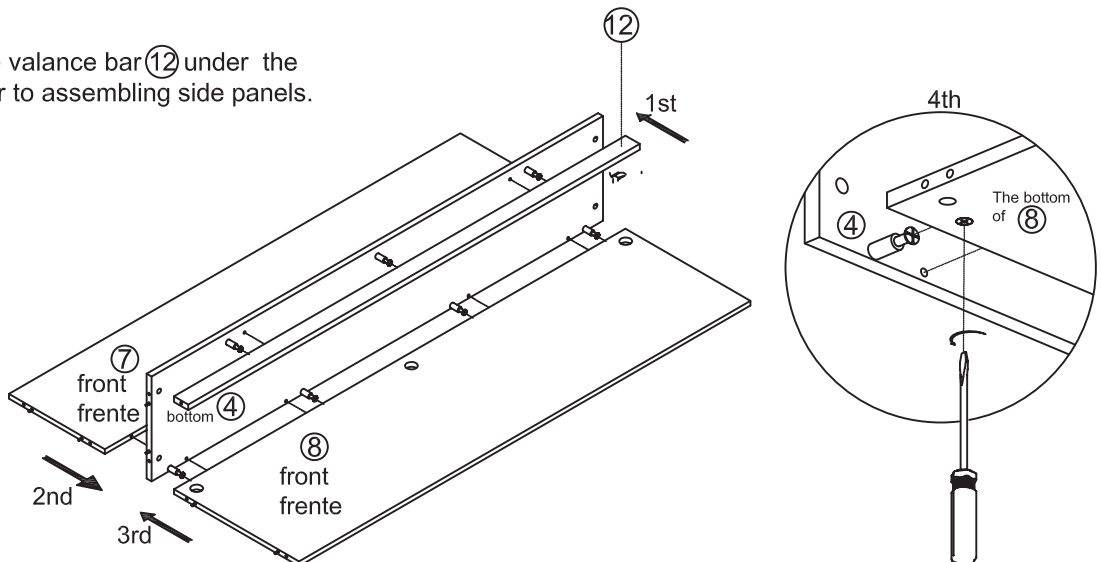
# ALE-SE266615

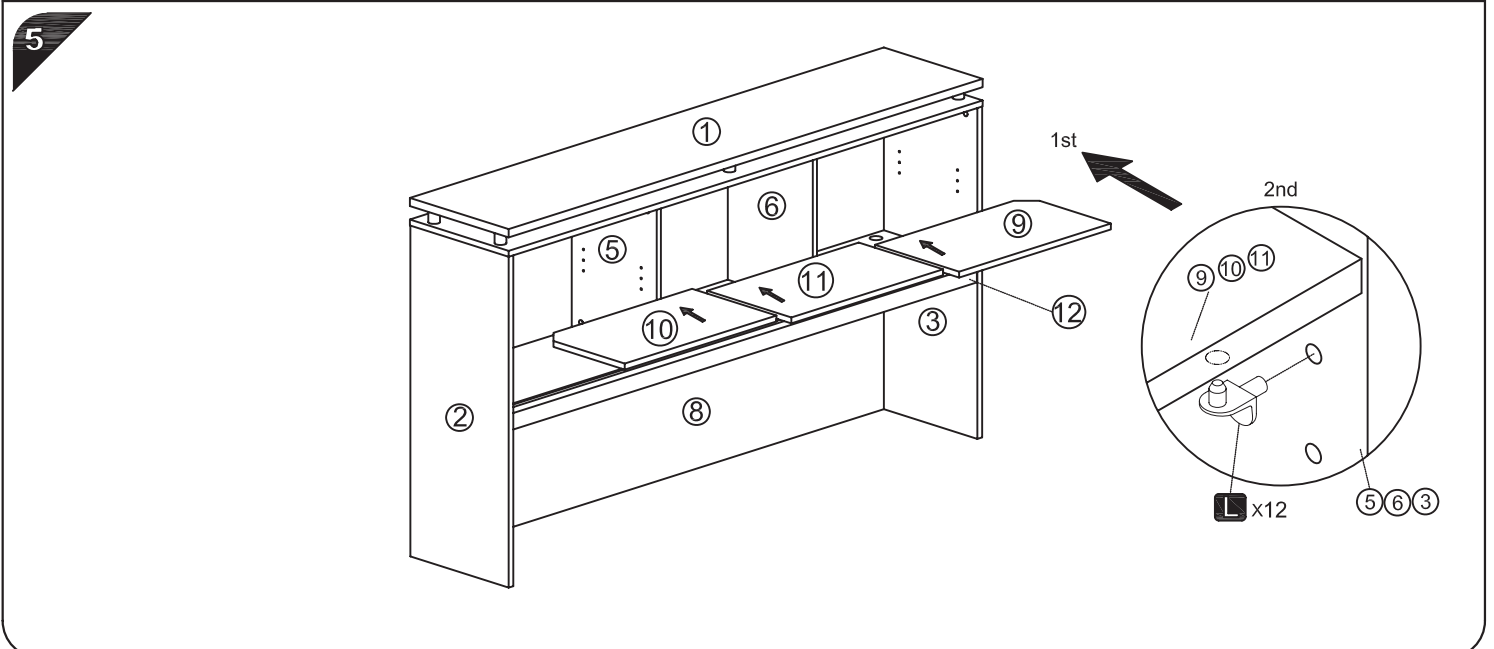
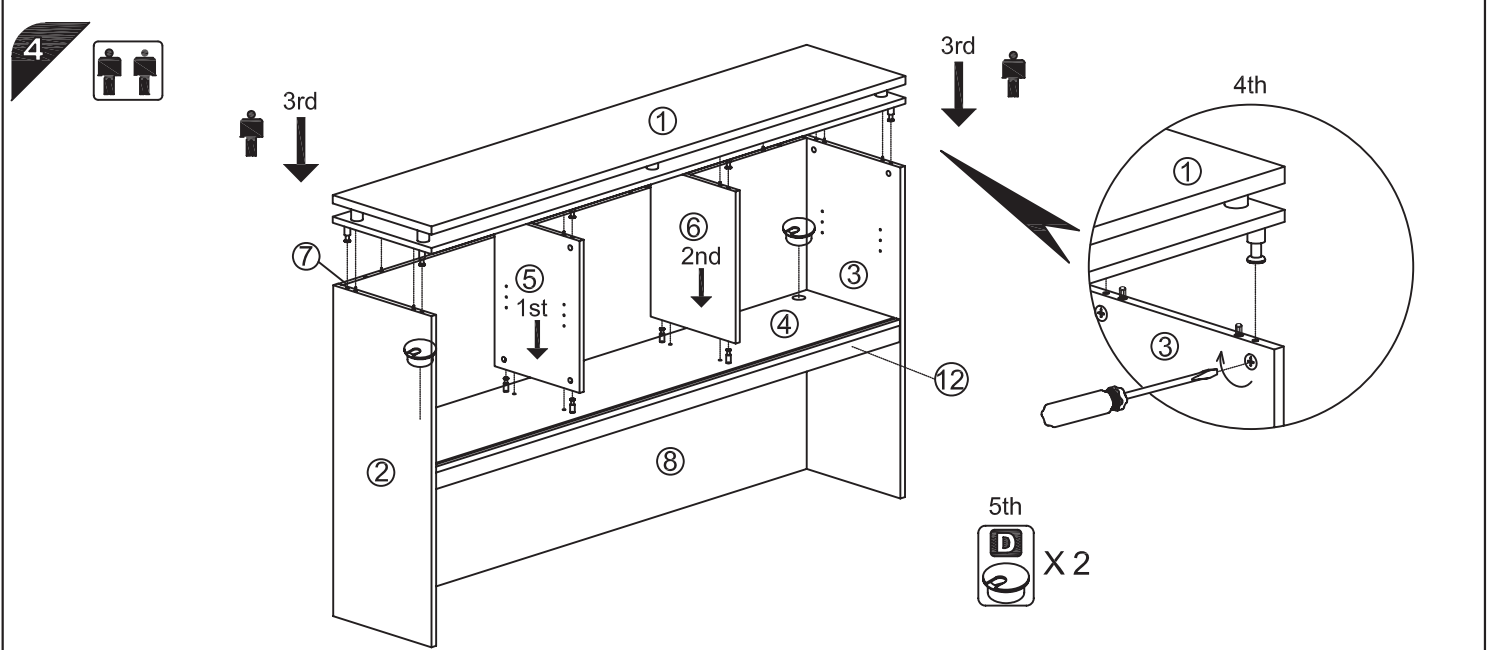
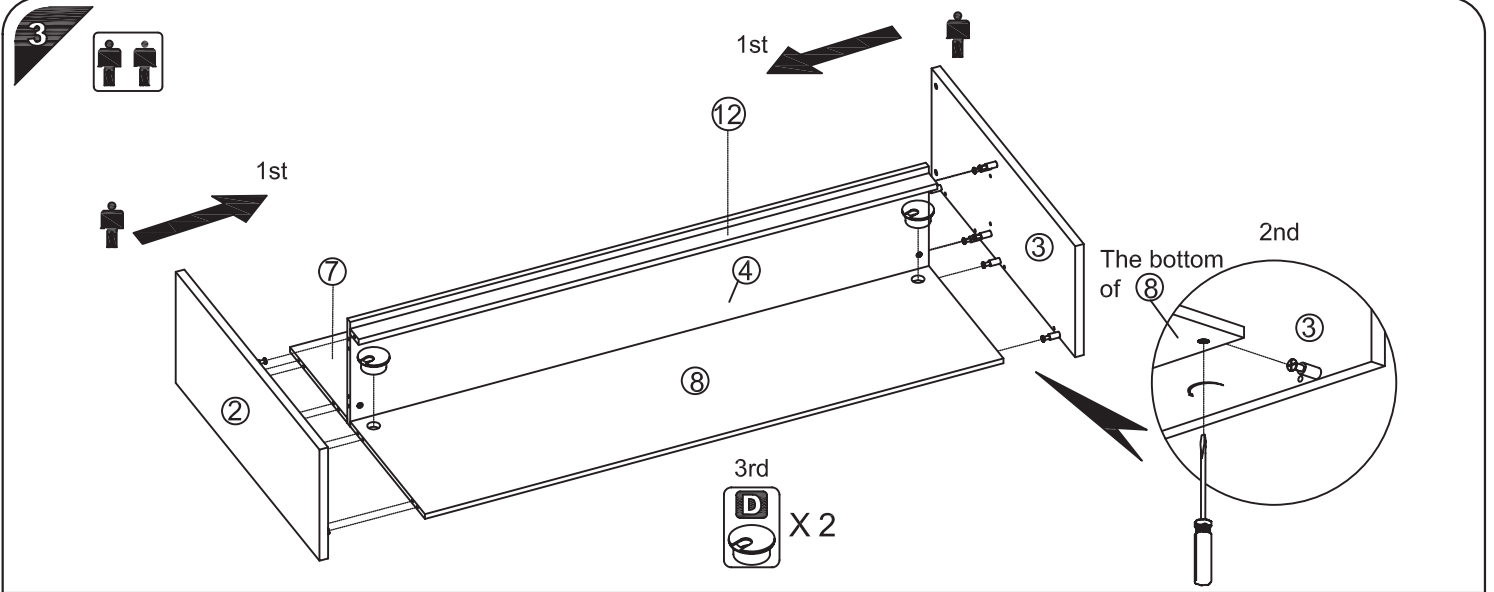
P.2



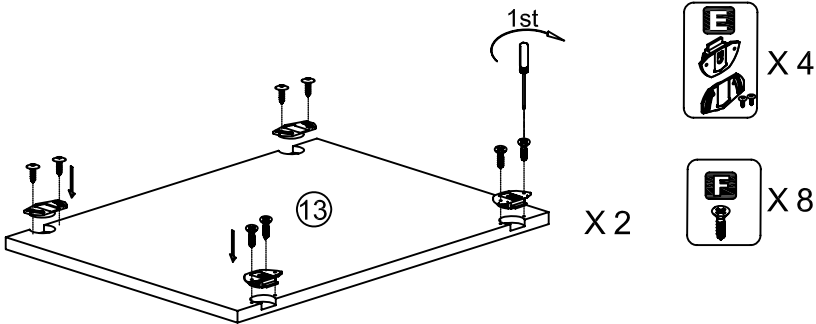
**2**

**IMPORTANT:**  
Please install the valance bar **12** under the bottom shelf prior to assembling side panels.

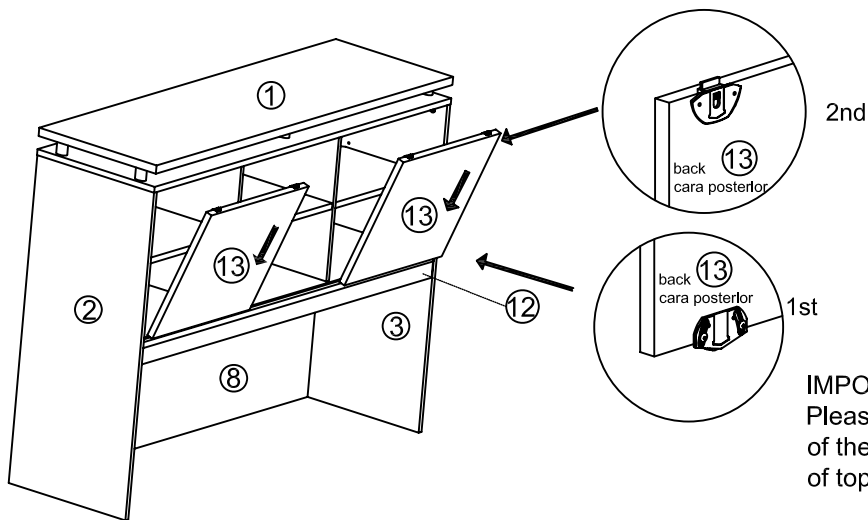




6

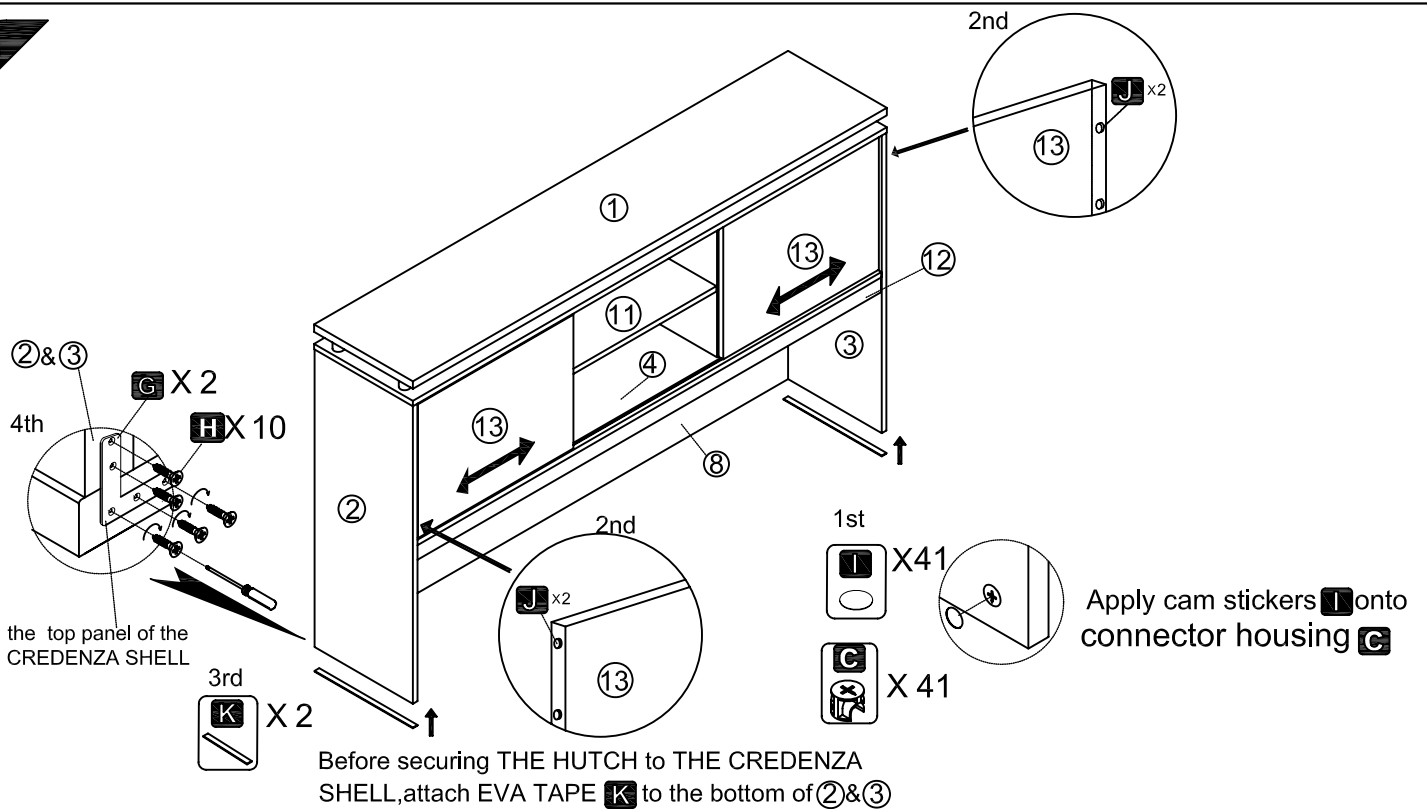


7



**IMPORTANT:**  
Please push out the top glide lever of the sliding doors AFTER installation of top panel

8





## LIMITED 5-YEAR WARRANTY

Except as otherwise provided within this Limited Warranty, Essendant Co. (Essendant) will repair or replace any Alera® and other Essendant branded furniture products, component or part that is found to be defective in material or workmanship within five (5) years from the date of original purchase so long as you, the original purchaser, still own it. This is your sole and exclusive remedy. This limited warranty is subject to the provisions below. It applies to products sold within the United States of America and the Commonwealth of Canada.

### Limitations:

- Fabric, vinyl and/or leather is warranted for two (2) years from the date of original purchase of the chair by the original owner of the Alera® product in question.

### Exclusions:

This warranty does not apply and no other warranty applies to:

- Normal wear and tear, which are to be expected over the course of ownership
- Modifications or attachments to the product that are not approved by Essendant
- Products that were not installed, used or routinely and properly maintained in accordance with product instructions and warnings
- Products used for rental purposes

### Color variations in fabrics and finishes:

Essendant does not warrant the color-fastness or matching of colors, grains or textures of covering materials. TO THE EXTENT ALLOWED BY LAW, ESSENDANT DISCLAIMS ALL OTHER WARRANTIES, EITHER EXPRESS OR IMPLIED, INCLUDING ANY WARRANTY OF MERCHANTABILITY OR FITNESS FOR A PARTICULAR PURPOSE. ESSENDANT WILL NOT BE LIABLE FOR ANY CONSEQUENTIAL OR INCIDENTAL DAMAGES.

### Notice to Purchasers for home or personal use:

Federal law does not permit the exclusion of certain implied warranties for consumer products. Therefore, if you are purchasing this product for home or personal use, the exclusion of implied warranties noted in the above paragraph may not apply to you. Some states do not allow the exclusion or limitation of incidental or consequential damages, so the above limitation or exclusion may not apply to you. This warranty gives you specific legal rights, and you may also have other rights which vary from state to state.

### To obtain service under this warranty:

Your Alera® Reseller will work with Essendant in supporting your warranty requests. Please note: Written authorization of Essendant must be obtained before any warranty work is performed. To obtain authorization and to ensure the best level of customer service, please take the following steps:

1. If a defect is discovered, please contact the Reseller from whom the product was purchased within 30 days from the date of discovery. The Reseller will require information about the product such as: the SKU number, serial number and/or registration number or date of manufacture from the product in question and/or any original transaction documents affirming that you are the original purchaser of this product.
2. Following your claim, your Reseller will conduct an inspection and review. During this time your Reseller or their appointed servicing agent will gather information regarding the claim, inspect the product and contact an Essendant customer service representative. Please allow a reasonable amount of time for these activities. A customer service representative or another representative of Essendant will determine whether to provide
3. replacement parts, authorize repairs or replace the product providing Essendant affirms that the product in question is eligible under the conditions of the warranty as stated above.



# **California 93120**

## **Compliant for Formaldehyde Phase 2**

*The California Air Resources Board (CARB) approved an Airborne Toxic Control Measure (ATCM) to reduce formaldehyde emissions from composite wood products including hardwood, medium density fiberboard and particleboard. These finished goods are low in formaldehyde emissions and comply with the ATCM.*

Manufactured for Alera®/Essendant Co.  
One Parkway North, Deerfield, IL 60015