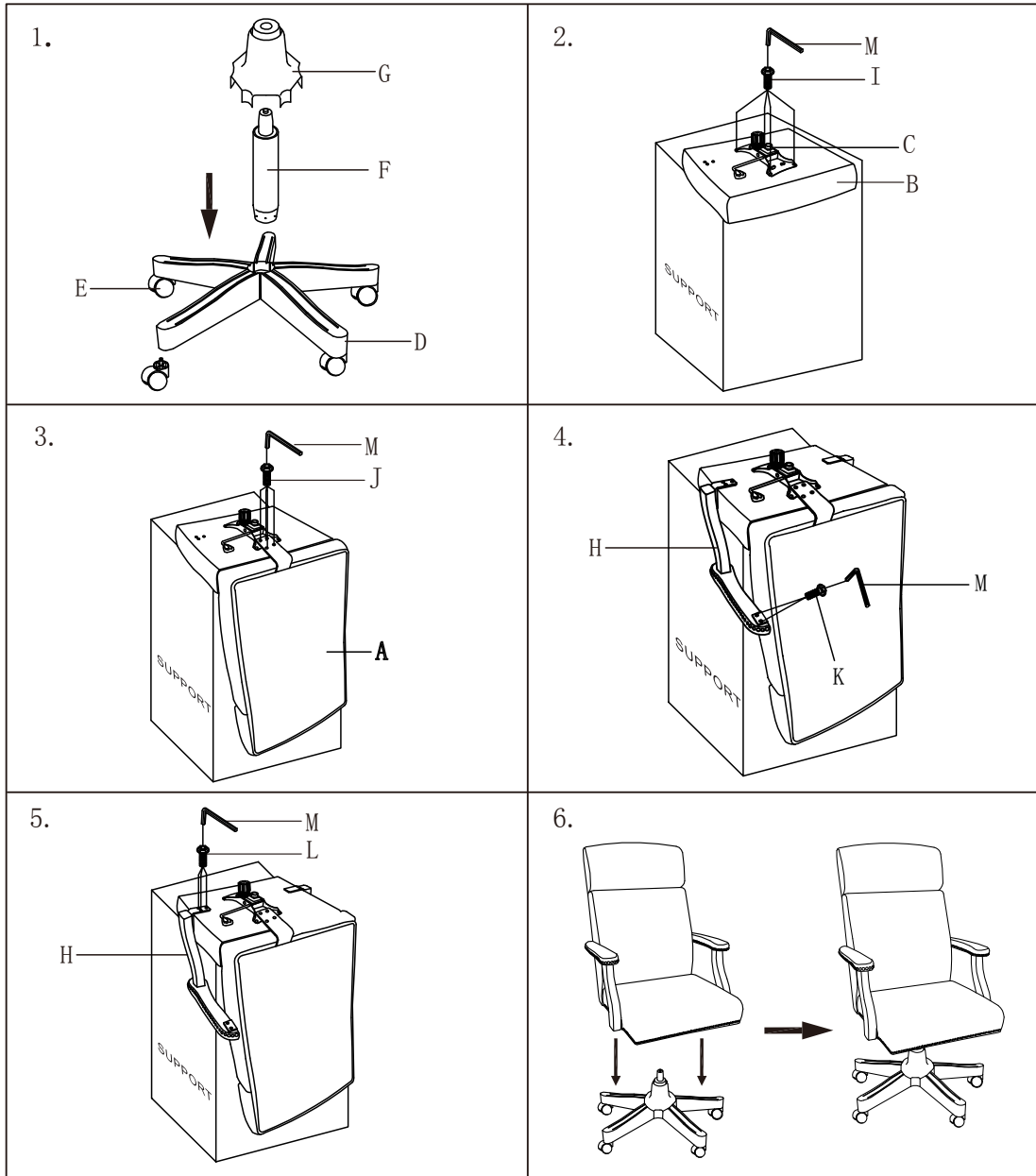




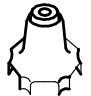
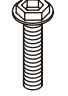
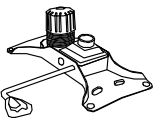
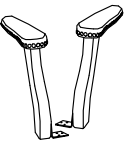
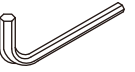
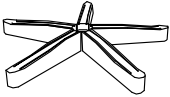

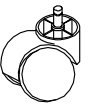
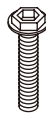




# ASSEMBLY INSTRUCTIONS



A.  1 PC	F.  1 PC	K.  19 mm 4 PCS
B.  1 PC	G.  1 PC	L.  38 mm 6 PCS
C.  1 PC	H.  1 PAIR	M.  1 PC
D.  1 PC	I.  32 mm 4 PCS	
E.  5 PCS	J.  44 mm 4 PCS	

Model: ALE-TD4136  
 Manufactured for/ Hecho para/ Fabriqué pour Alera®/ USSCo,  
 1 Parkway North, Suite 100, Deerfield, IL 60015 ©2014 USSCo  
 Made in/ Hecho en/ Fabriqué en China  
 Product support and parts: 1-800-733-4000  
 Ayuda del producto y partes / Support technique et pieces

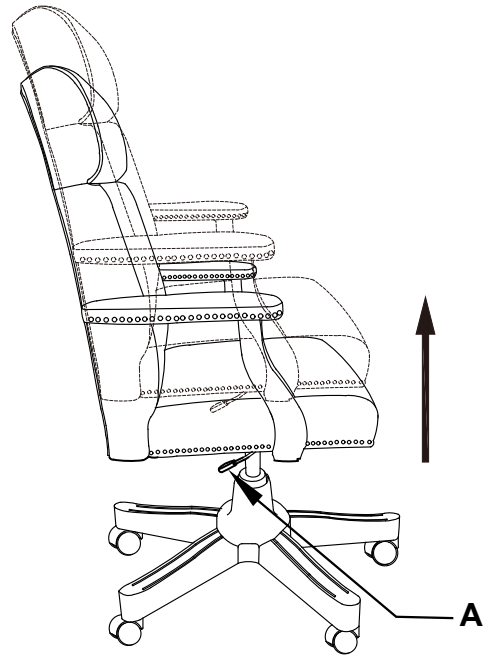


# OPERATING INSTRUCTIONS

Model: ALE-TD4136

## A. Seat height adjustment

To raise the seat height, stand up from the chair while lifting the lever (A) under the right side of the seat. To lower the seat height, lift the lever (A) while sitting in the chair.



## B. Seat angle adjustment

Pull out lever(B); Lean back and the chair will tilt backwards. Push in lever(B) to lock the chair in any reclined position.

