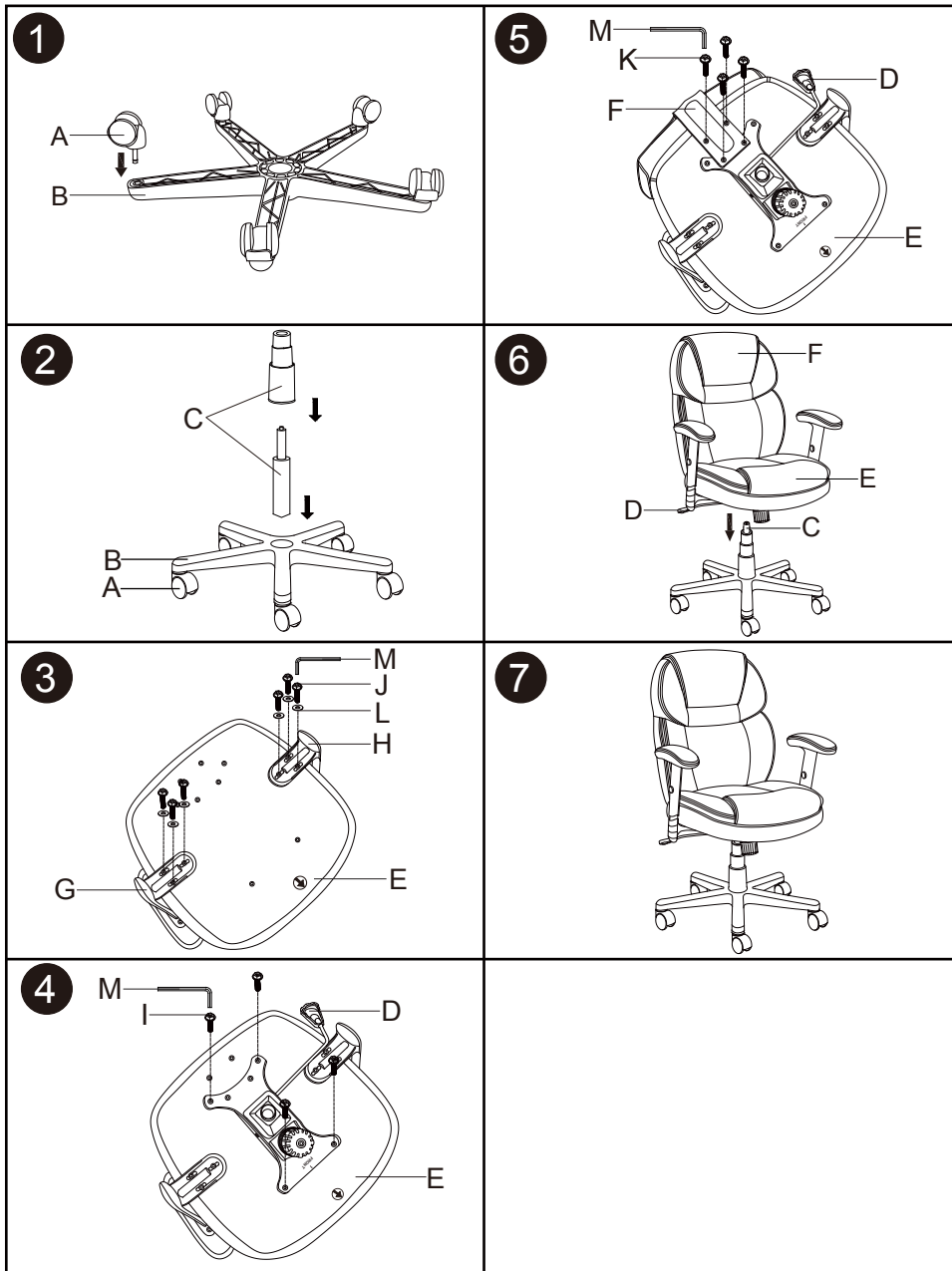

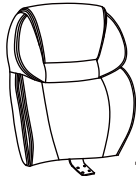
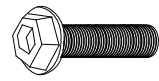
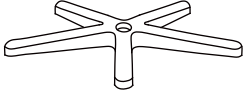
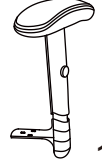

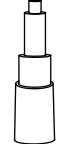
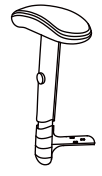

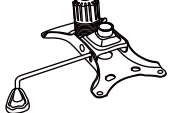
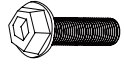

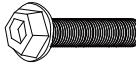


ASSEMBLY INSTRUCTIONS



A.  5PCS	F.  1PC	K.  4PCS
B.  1PC	G.  1PC	L.  6PCS
C.  1PC	H.  1PC	M.  1PC
D.  1PC	I.  4PCS	
E.  1PC	J.  6PCS	

Model: OIF-FL4213

Manufactured for/ Hecho para/ Fabriqué pour/ Essendant Co.,
One Parkway North, Deerfield, IL 60015 © 2015 Essendant Co.

Made in/ Hecho en/ Fabriqué en China

Product support and parts: 1-800-733-4000

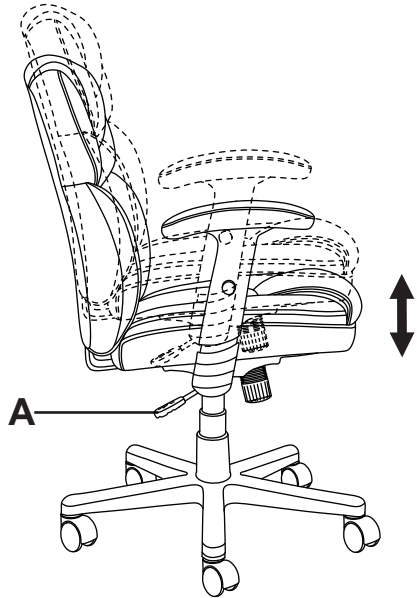
Ayuda del producto y partes / Support technique et pieces

OPERATING INSTRUCTIONS

OIF- FL4213

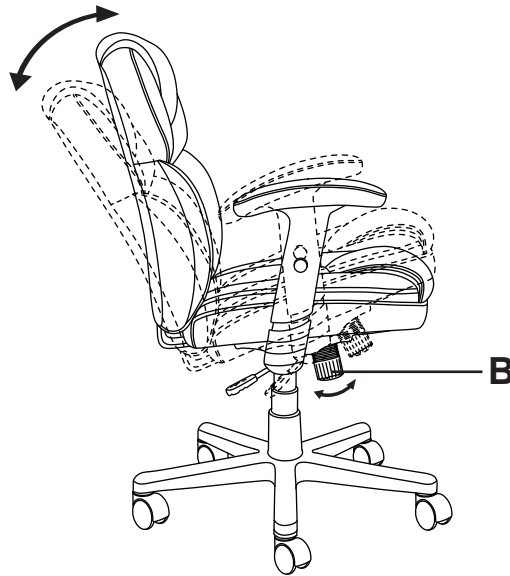
A. Seat height adjustment

To raise the seat height, stand up from the chair while lifting the lever (A) under the right side of the seat. To lower the seat height, lift the lever (A) while sitting in the chair.



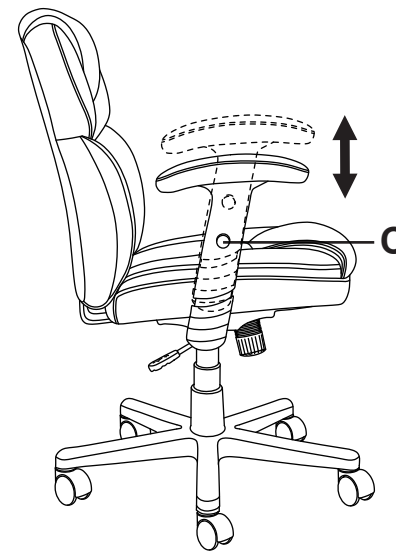
B. Tilt tension

Knob underneath seat adjusts angle and ease with which chair reclines to the different weights and strengths for different users. To increase tension, turn knob to the right. To release tension (loosen), turn knob to the left.



C. Arm height adjustment

To adjust arm height, push the button on the outside of each arm and move the arm up or down. Release the button to set the height.



D. Tilt Lock

Pull lever, "A" on the right side of the seat away from the chair and lean back to recline. To lock chair in upright position, push lever back towards the chair.

