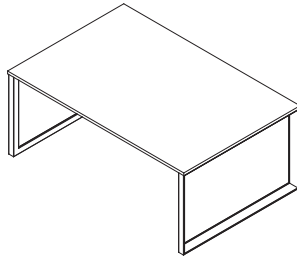


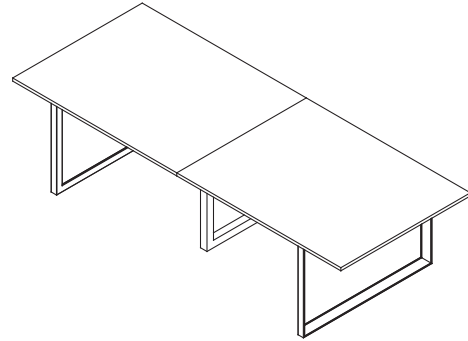
LLR16251 48" Wide Side Leg	V Frame 1 PC	B Adjustable Glide 2 PCS	C Screw M4.8*22 6 + 2 extra PCS	LLR16252 Middle Unite Leg	W Frame 1 PC	B Adjustable Glide 2 PCS	C Screw M4.8*22 12 + 2 extra PCS		
LLR16208 Adjustable Cross Bar Set	D Cross Bar Set 1 PR	E U Bracket 4 PCS	F Screw M8*20 4 PCS	C Screw M4.8*22 8 + 2 extra PCS	G Screw M8*8 8 PCS	H Allen Wrench-4# 1 PC	I Allen Wrench-5# 1 PC	S Metal Flat Plate 1 PC	T Screw M5*19 8 + 2 extra PCS

60"/72" W Desk



STEP 1 - STEP 5

120"/144" W Desk

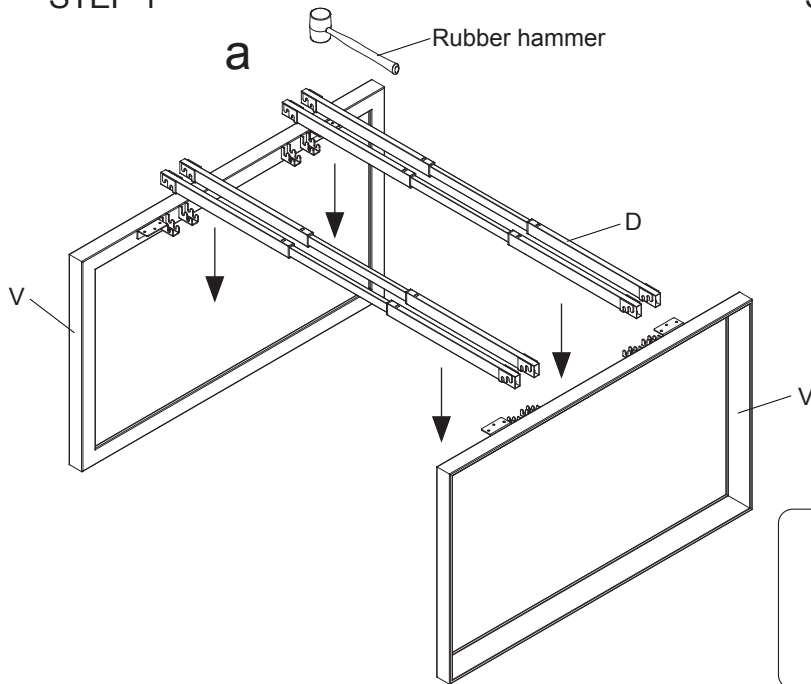


STEP 6 - STEP 10

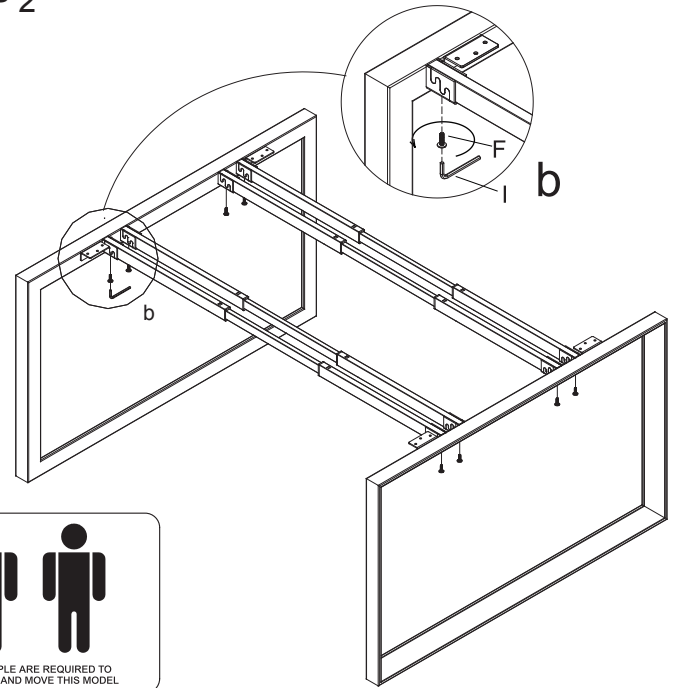
DESK-60W*48D:LLR16255/16256+LLR16251(2pcs)+LLR16208(2sts)
DESK-72W*48D:LLR16257/16258+LLR16251(2pcs)+LLR16208(2sts)

DESK-120W*48D:LLR16255/16256(2pcs)+LLR16251(2pcs)+LLR16208(4sts)+LLR16252
DESK-144W*48D:LLR16257/16258(2pcs)+LLR16251(2pcs)+LLR16208(4sts)+LLR16252

STEP 1



STEP 2

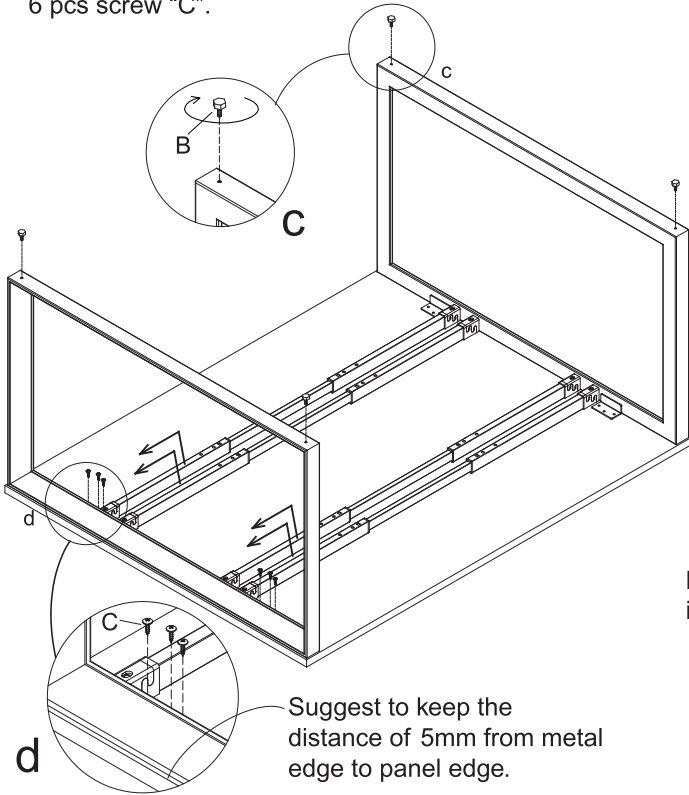


IMPORTANT NOTE:

- Place all laminated parts on a clean and smooth surface such as a rug or carpet to avoid the parts from being scratched.
- Check to make sure that you have all parts and hardware.
- Remove all wrapping materials, including staples and packaging straps before you start to assemble.
- Do not tighten all screws/bolts until pieces are completely assembled.
- Keep all hardware parts out of children's reach.
- It is recommended for 2 persons to complete this assembly.

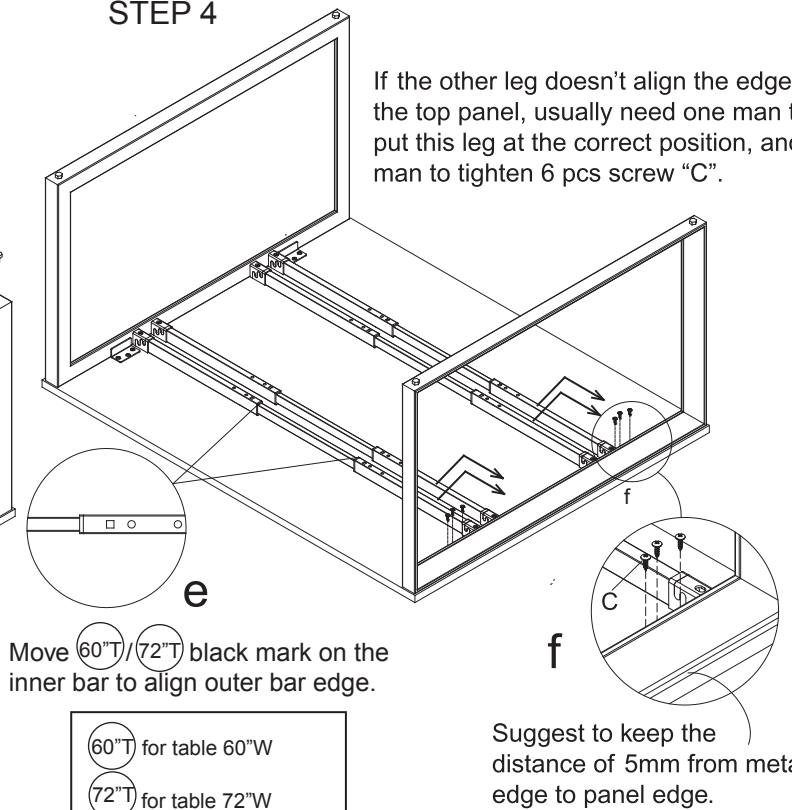
STEP 3

Only assemble one side leg using 6 pcs screw "C".

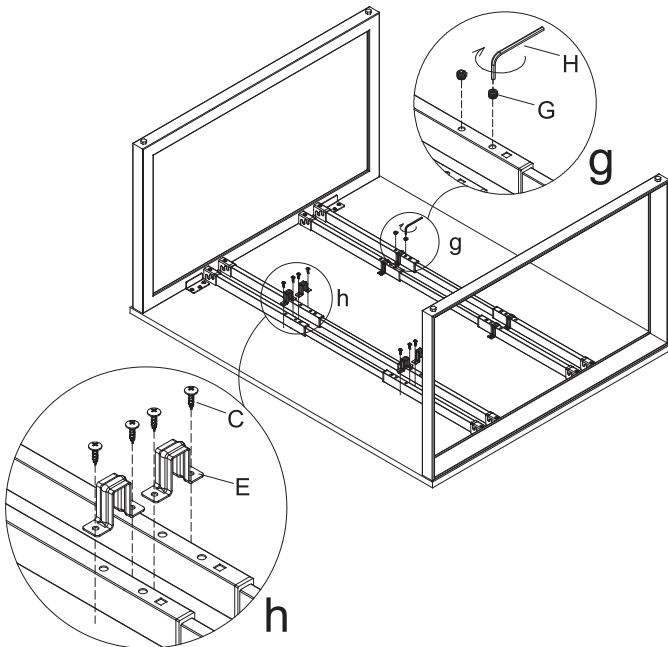


STEP 4

If the other leg doesn't align the edge of the top panel, usually need one man to put this leg at the correct position, another man to tighten 6 pcs screw "C".



STEP 5

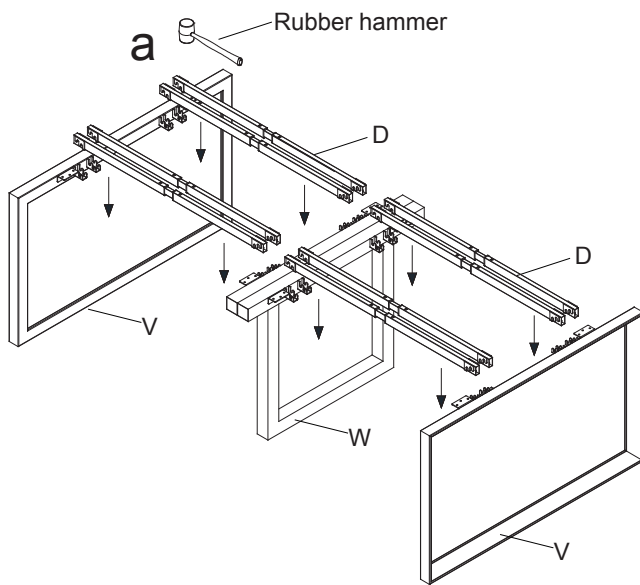


Make sure the desk corners and edges are well protected before flip the desk.

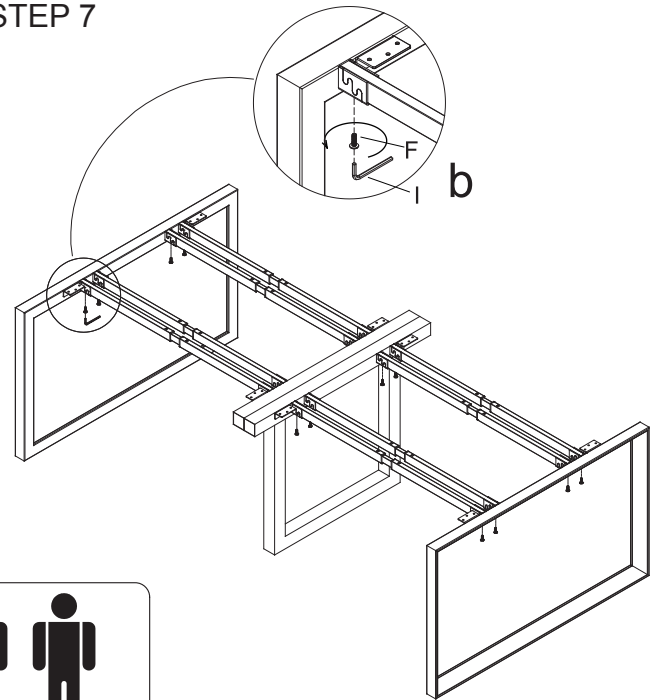
IMPORTANT NOTE:

- Place all laminated parts on a clean and smooth surface such as a rug or carpet to avoid the parts from being scratched.
- Check to make sure that you have all parts and hardware.
- Remove all wrapping materials, including staples and packaging straps before you start to assemble.
- Do not tighten all screws/bolts until pieces are completely assembled.
- Keep all hardware parts out of children's reach.
- It is recommended for 2 persons to complete this assembly.

STEP 6

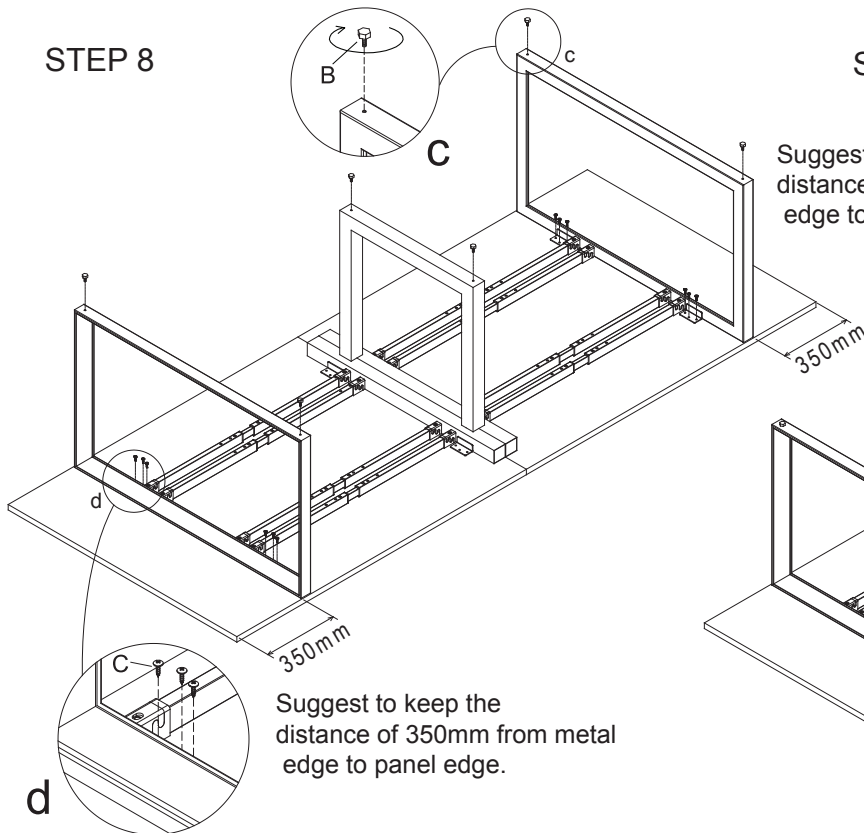


STEP 7



TWO PEOPLE ARE REQUIRED TO ASSEMBLE AND MOVE THIS MODEL

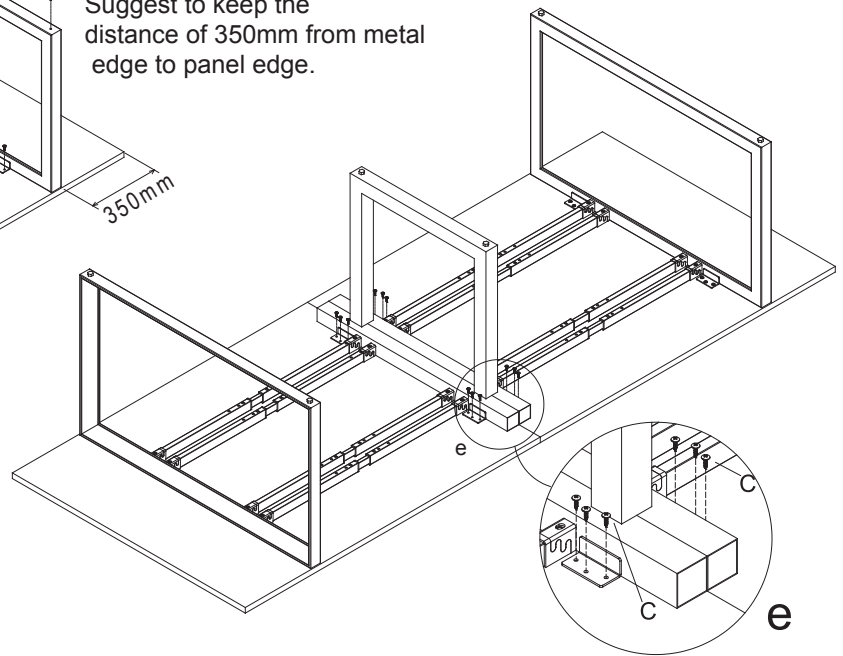
STEP 8



Suggest to keep the distance of 350mm from metal edge to panel edge.

STEP 9

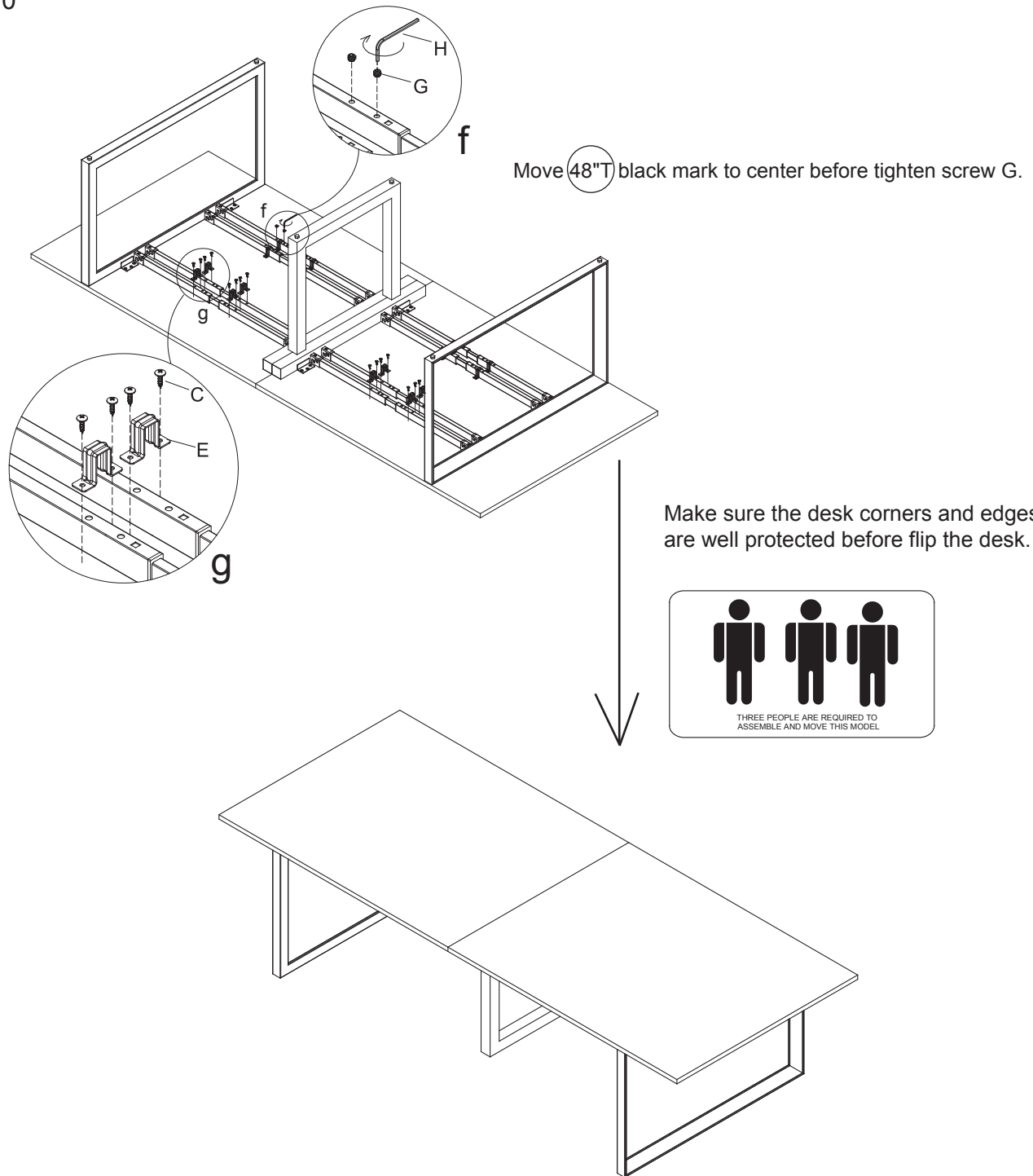
Suggest to keep the distance of 350mm from metal edge to panel edge.



IMPORTANT NOTE:

- Place all laminated parts on a clean and smooth surface such as a rug or carpet to avoid the parts from being scratched.
- Check to make sure that you have all parts and hardware.
- Remove all wrapping materials, including staples and packaging straps before you start to assemble.
- Do not tighten all screws/bolts until pieces are completely assembled.
- Keep all hardware parts out of children's reach.
- It is recommended for 2 persons to complete this assembly.

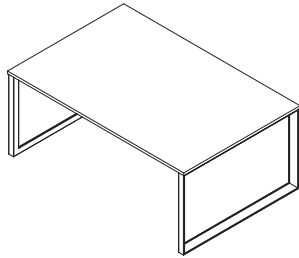
STEP 10

**IMPORTANT NOTE:**

- Place all laminated parts on a clean and smooth surface such as a rug or carpet to avoid the parts from being scratched.
- Check to make sure that you have all parts and hardware.
- Remove all wrapping materials, including staples and packaging straps before you start to assemble.
- Do not tighten all screws/bolts until pieces are completely assembled.
- Keep all hardware parts out of children's reach.
- It is recommended for 2 persons to complete this assembly.

LLR16251 Pied périphérique pour largeur 48 po	V Châssis x1	B Patin d'ajustement x2	C Vis M4.8*22 x6 + 2 extra	LLR16252 Pied central de soutien	W Châssis x1	B Patin d'ajustement x2	C Vis M4.8*22 x12 + 2 extra		
LLR16208 Traverses réglables	D Traverses réglables 1 paire	E Support x4	F Vis M8*20 x4	C Vis M4.8*22 x8 + 2 extra	G Vis M8*8 x8	H Clé hexagonale-4# x1	I Clé hexagonale-5# x1	S Plateau métallique x1	T Vis M5*19 x8 + 2 extra

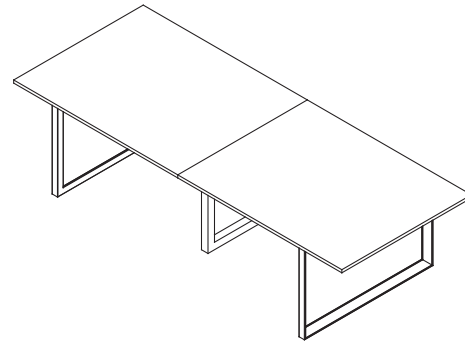
60"/72" W Bureau



ÉTAPE 1 - ÉTAPE 5

BUREAU-60W*48D:LLR16255/16256+LLR16251(2pcs)+LLR16208(2sts)
 BUREAU-72W*48D:LLR16257/16258+LLR16251(2pcs)+LLR16208(2sts)

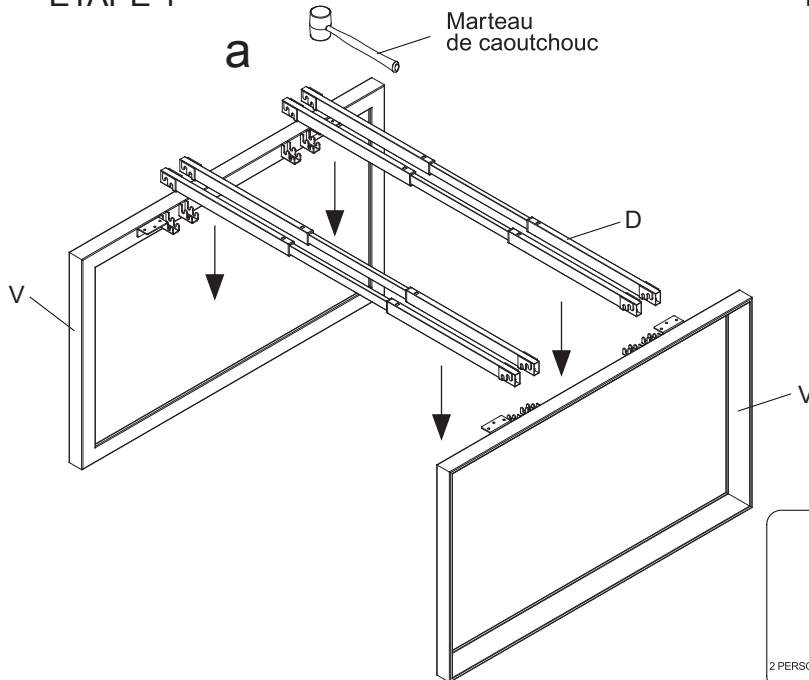
120"/144" W Bureau



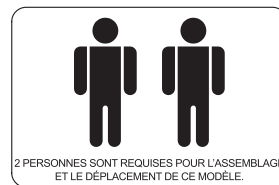
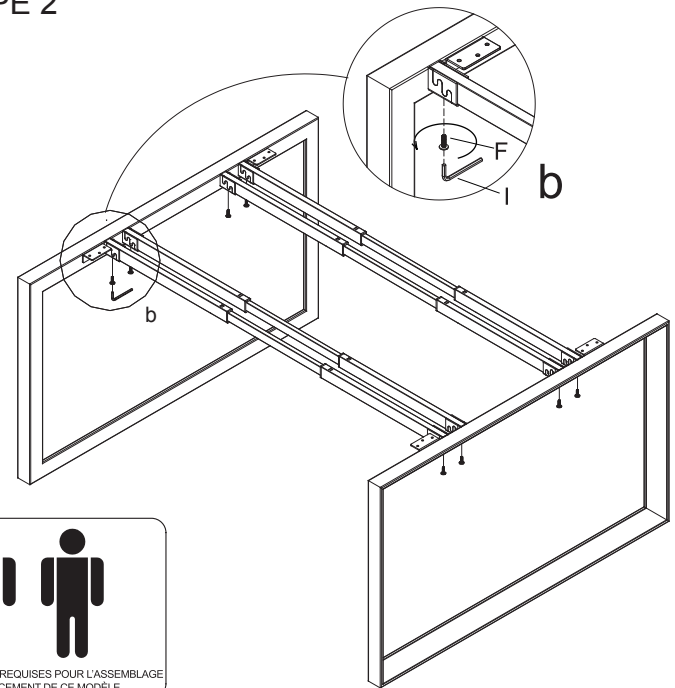
ÉTAPE 6 - ÉTAPE 10

BUREAU-120W*48D:LLR16255/16256(2pcs)+LLR16251(2pcs)+LLR16208(4sts)+LLR16252
 BUREAU-144W*48D:LLR16257/16258(2pcs)+LLR16251(2pcs)+LLR16208(4sts)+LLR16252

ÉTAPE 1



ÉTAPE 2

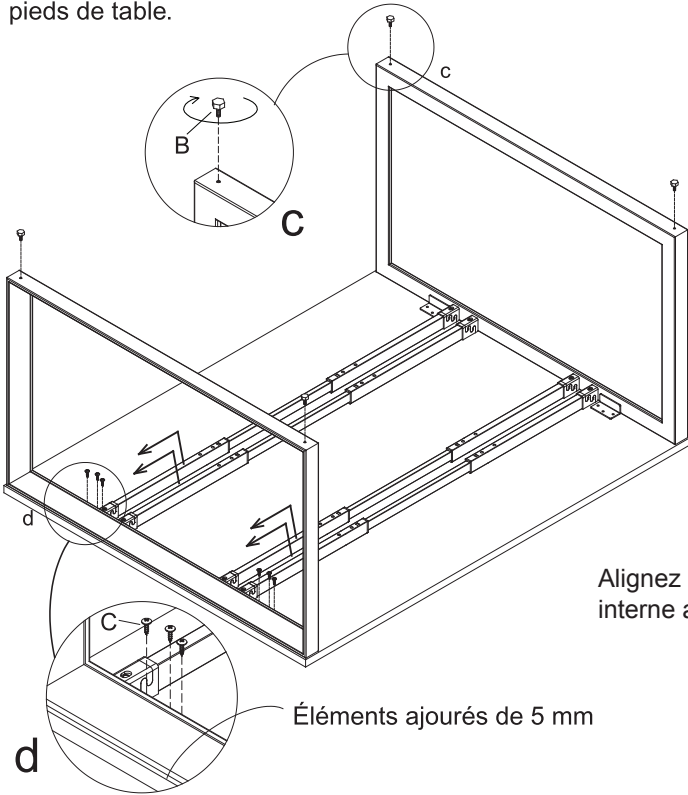


IMPORTANT NOTE:

- Place all laminated parts on a clean and smooth surface such as a rug or carpet to avoid the parts from being scratched.
- Check to make sure that you have all parts and hardware.
- Remove all wrapping materials, including staples and packaging straps before you start to assemble.
- Do not tighten all screws/bolts until pieces are completely assembled.
- Keep all hardware parts out of children's reach.
- It is recommended for 2 persons to complete this assembly.

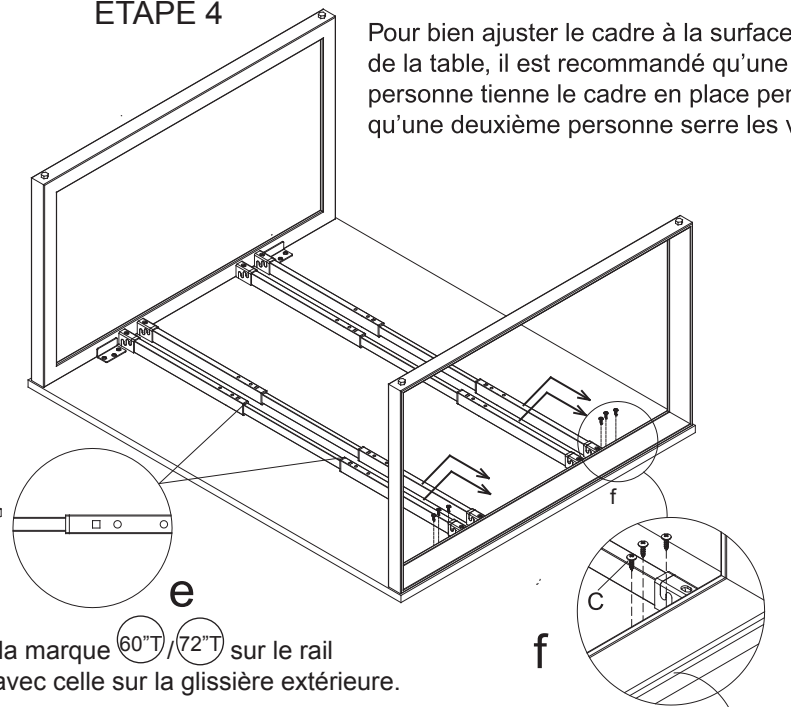
ÉTAPE 3

Utiliser 6 des vis C pour monter les pieds de table.



ÉTAPE 4

Pour bien ajuster le cadre à la surface de la table, il est recommandé qu'une personne tienne le cadre en place pendant qu'une deuxième personne serre les vis C.

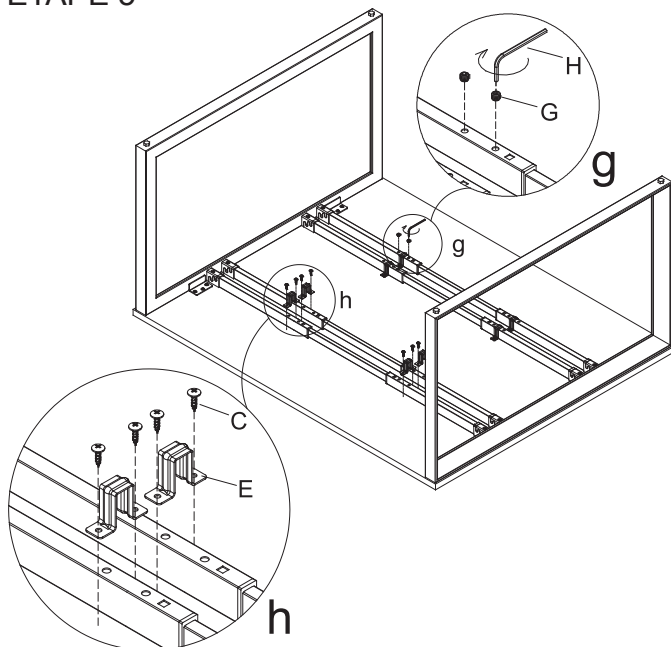


Alignez la marque 60" T / 72" T sur le rail interne avec celle sur la glissière extérieure.

60" T pour les table 60" W
 72" T pour les table 72" W

Éléments ajourés de 5 mm

ÉTAPE 5

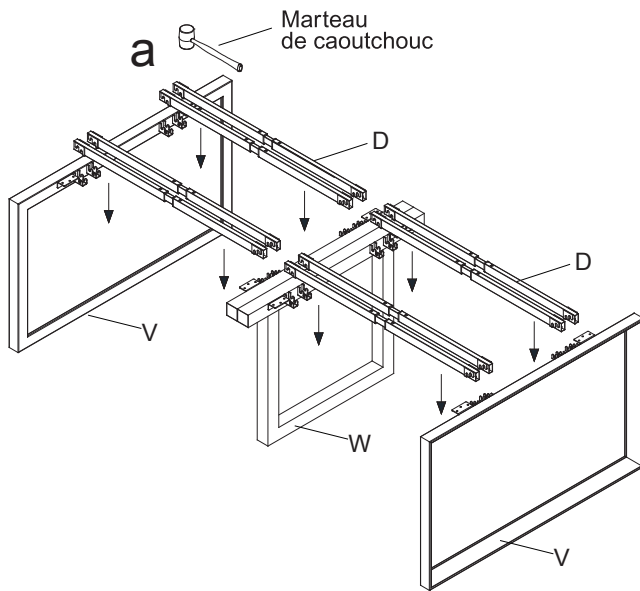


Assurez-vous que les coins et les bords du bureau sont bien protégés avant de retourner le bureau.

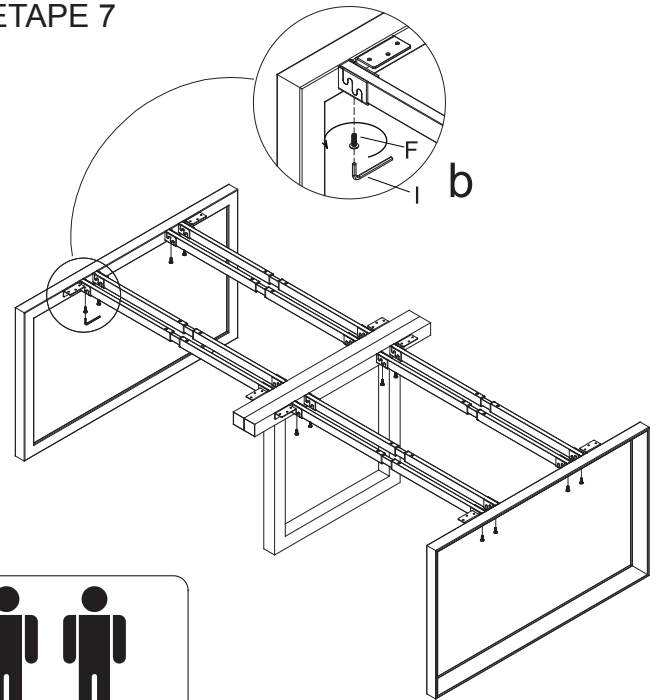
IMPORTANT NOTE:

- Place all laminated parts on a clean and smooth surface such as a rug or carpet to avoid the parts from being scratched.
- Check to make sure that you have all parts and hardware.
- Remove all wrapping materials, including staples and packaging straps before you start to assemble.
- Do not tighten all screws/bolts until pieces are completely assembled.
- Keep all hardware parts out of children's reach.
- It is recommended for 2 persons to complete this assembly.

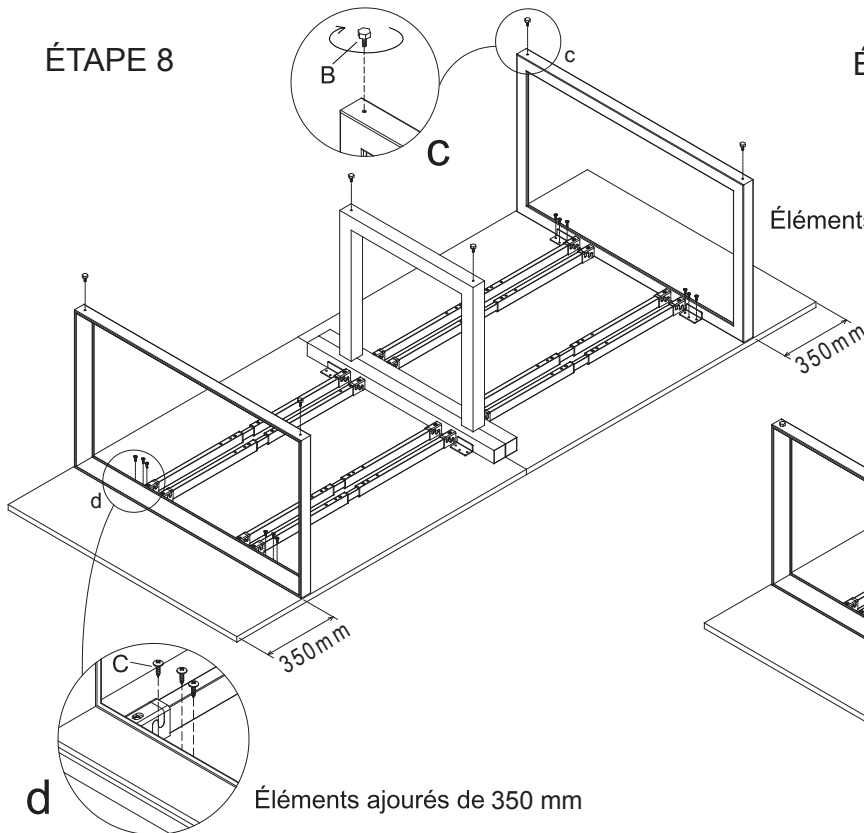
ÉTAPE 6



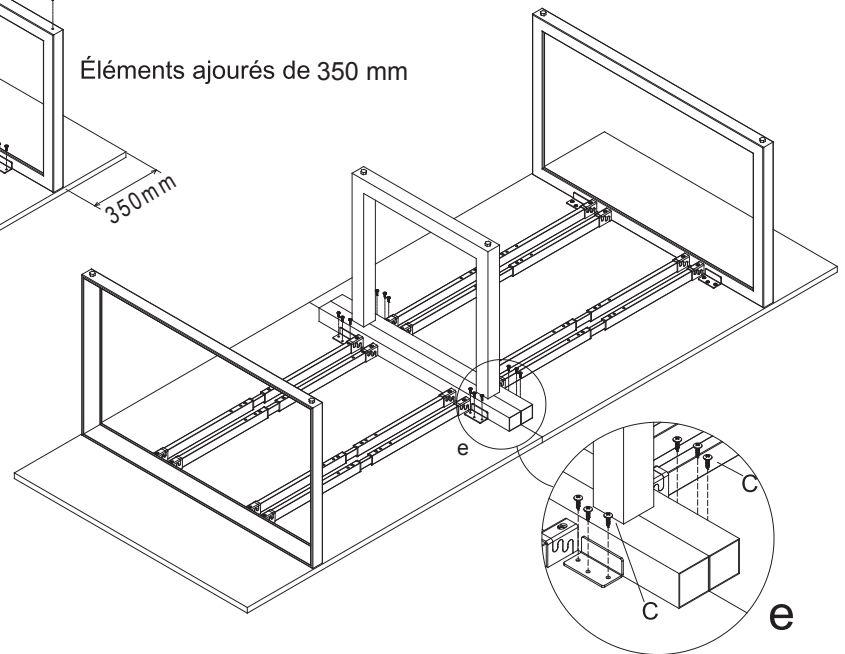
ÉTAPE 7



ÉTAPE 8



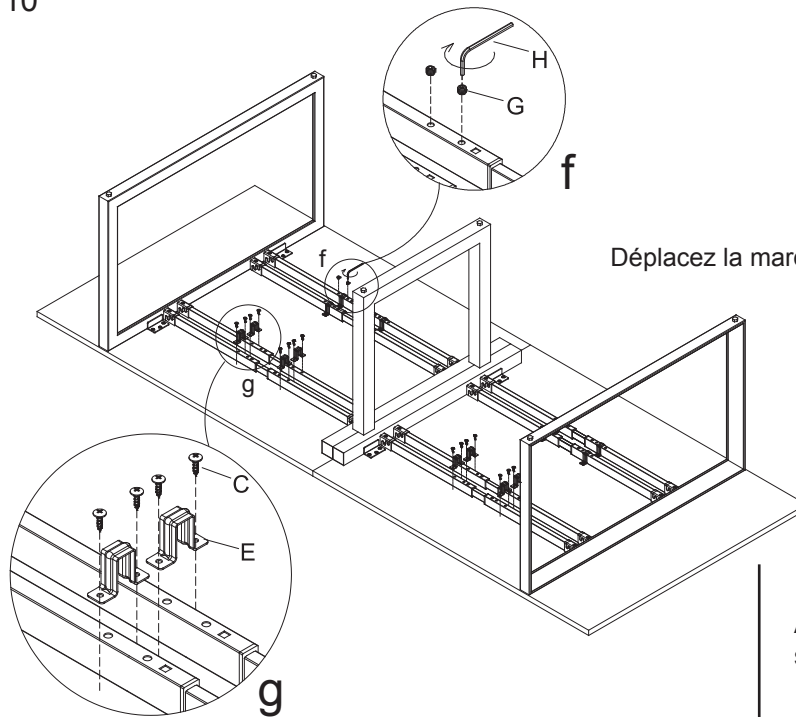
ÉTAPE 9



IMPORTANT NOTE:

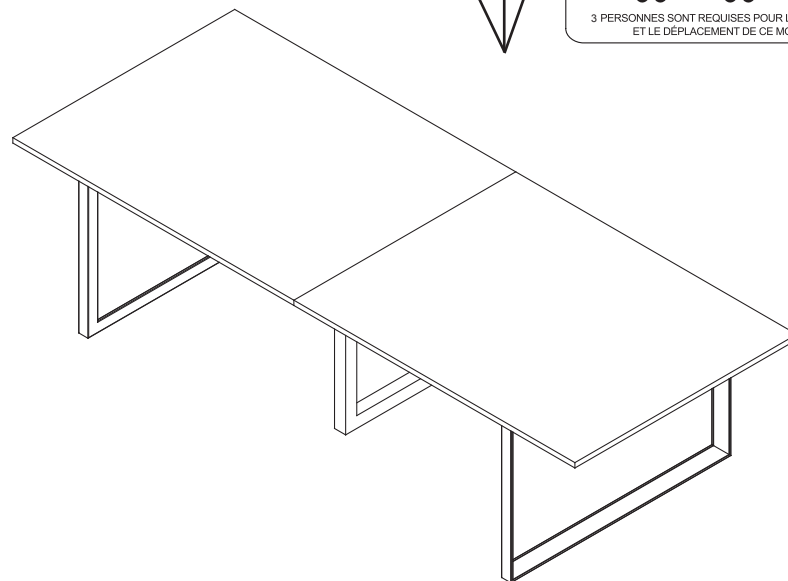
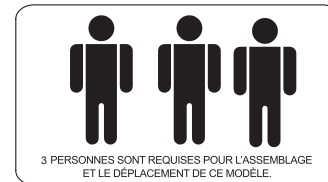
- Place all laminated parts on a clean and smooth surface such as a rug or carpet to avoid the parts from being scratched.
- Check to make sure that you have all parts and hardware.
- Remove all wrapping materials, including staples and packaging straps before you start to assemble.
- Do not tighten all screws/bolts until pieces are completely assembled.
- Keep all hardware parts out of children's reach.
- It is recommended for 2 persons to complete this assembly.

ÉTAPE 10



Déplacez la marque noire de 48" T au centre avant de serrer la vis G.

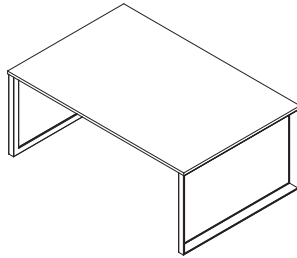
Assurez-vous que les coins et les bords du bureau sont bien protégés avant de retourner le bureau.

**IMPORTANT NOTE:**

- Place all laminated parts on a clean and smooth surface such as a rug or carpet to avoid the parts from being scratched.
- Check to make sure that you have all parts and hardware.
- Remove all wrapping materials, including staples and packaging straps before you start to assemble.
- Do not tighten all screws/bolts until pieces are completely assembled.
- Keep all hardware parts out of children's reach.
- It is recommended for 2 persons to complete this assembly.

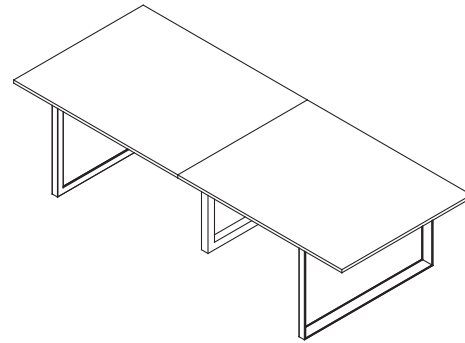
LLR16251 Pata Lateral de 48" de Ancho	V Armadura 1 unidad	B Nivelador ajustable 2 unidades	C Tornillo M4.8*22 6 + 2 unidades adicionales	LLR16252 Pata Unitaria Central	W Armadura 1 unidad	B Nivelador ajustable 2 unidades	C Tornillo M4.8*22 12 + 2 unidades adicionales		
LLR16208 Juego de barras cruzadas ajustables	D Juego de barras cruzadas 1 par	E Soporte en U 4 unidades	F Tornillo M8*20 4 unidades	C Tornillo M4.8*22 8 + 2 unidades adicionales	G Tornillo M8*8 8 unidades	H Llave Allen #4 1 unidad	I Llave Allen #5 1 unidad	S Placa metálica plana 1 unidad	T Tornillo M5*19 8 + 2 unidades adicionales

60"/72" W Escritorio



PASO 1 - PASO 5

120"/144" W Escritorio

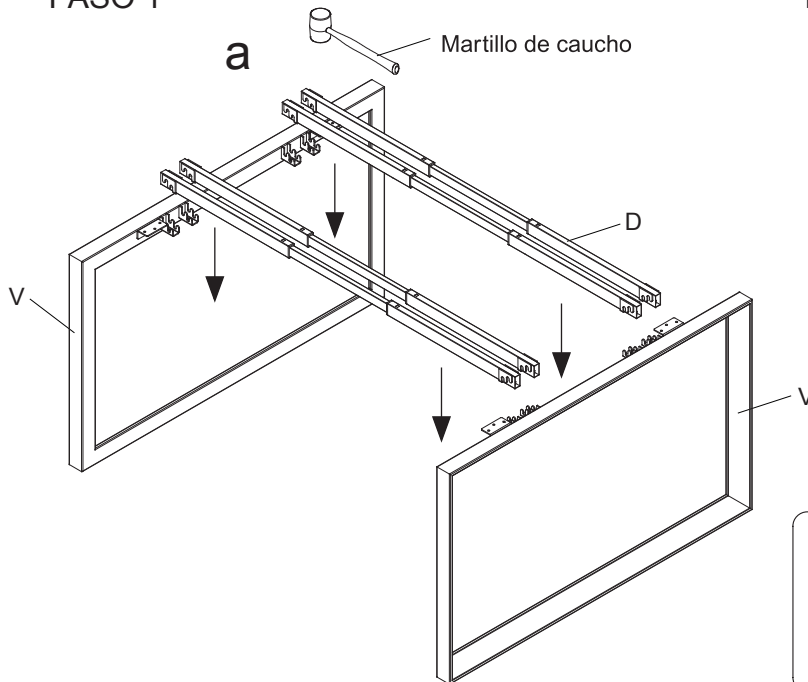


PASO 6 - PASO 10

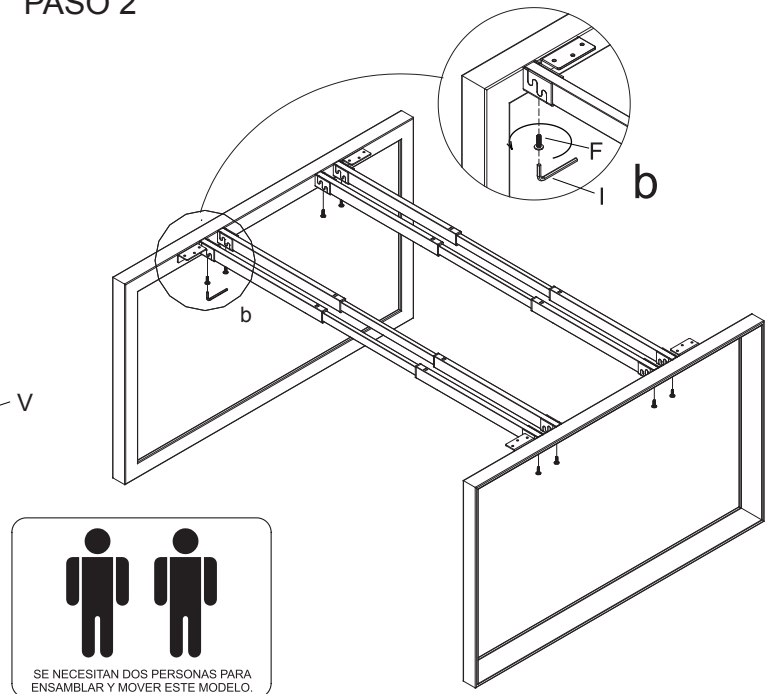
ESCRITORIO-60W*48D:LLR16255/16256+LLR16251(2pcs)+LLR16208(2sts)
 ESCRITORIO-72W*48D:LLR16257/16258+LLR16251(2pcs)+LLR16208(2sts)

ESCRITORIO-120W*48D:LLR16255/16256(2pcs)+LLR16251(2pcs)+LLR16208(4sts)+LLR16252
 ESCRITORIO-144W*48D:LLR16257/16258(2pcs)+LLR16251(2pcs)+LLR16208(4sts)+LLR16252

PASO 1



PASO 2

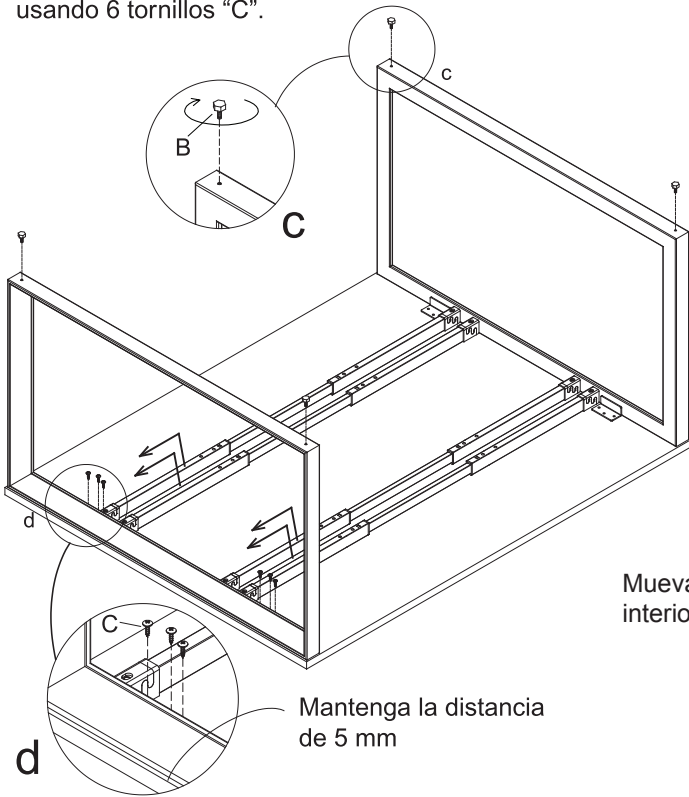


IMPORTANT NOTE:

- Place all laminated parts on a clean and smooth surface such as a rug or carpet to avoid the parts from being scratched.
- Check to make sure that you have all parts and hardware.
- Remove all wrapping materials, including staples and packaging straps before you start to assemble.
- Do not tighten all screws/bolts until pieces are completely assembled.
- Keep all hardware parts out of children's reach.
- It is recommended for 2 persons to complete this assembly.

PASO 3

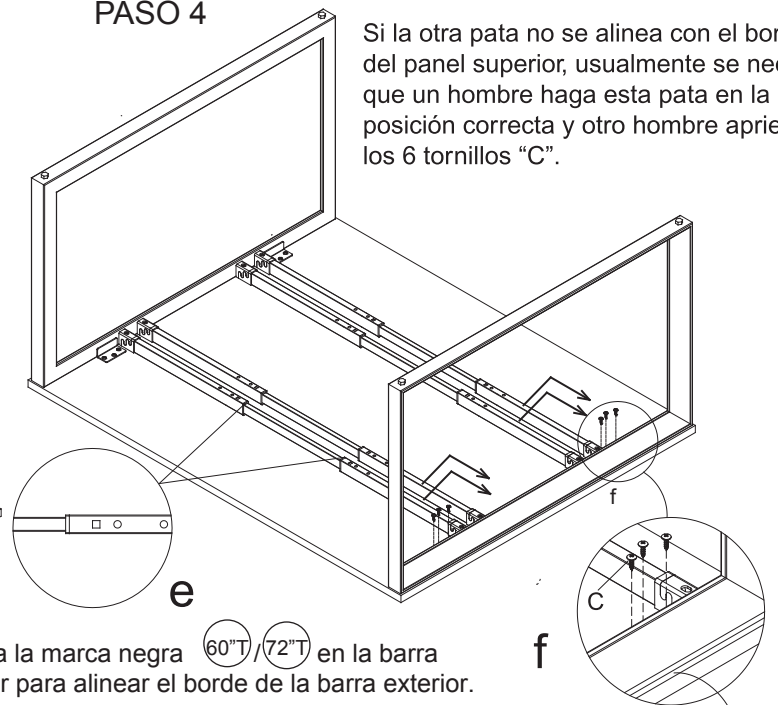
Únicamente arme una pata lateral usando 6 tornillos "C".



Mantenga la distancia de 5 mm

PASO 4

Si la otra pata no se alinea con el borde del panel superior, usualmente se necesita que un hombre haga esta pata en la posición correcta y otro hombre apriete los 6 tornillos "C".

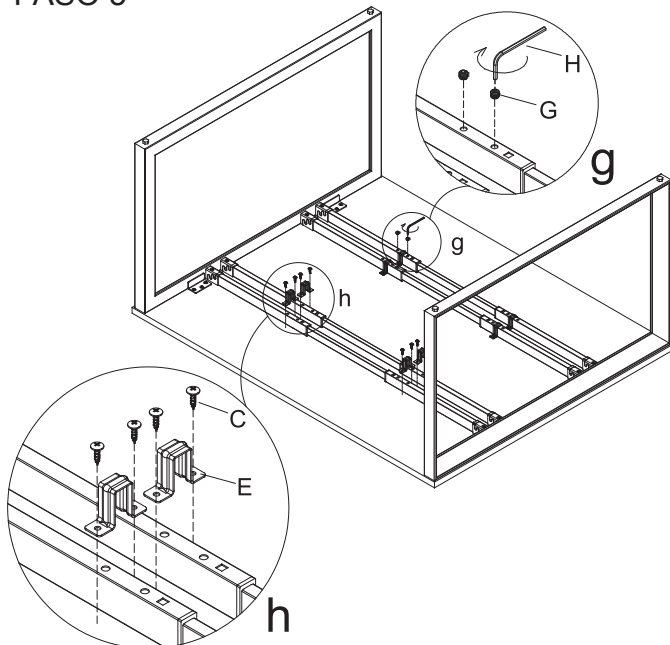


Mueva la marca negra 60" T / 72" T en la barra interior para alinear el borde de la barra exterior.

60" T para la mesa 60" W

72" T para la mesa 72" W

Mantenga la distancia de 5 mm

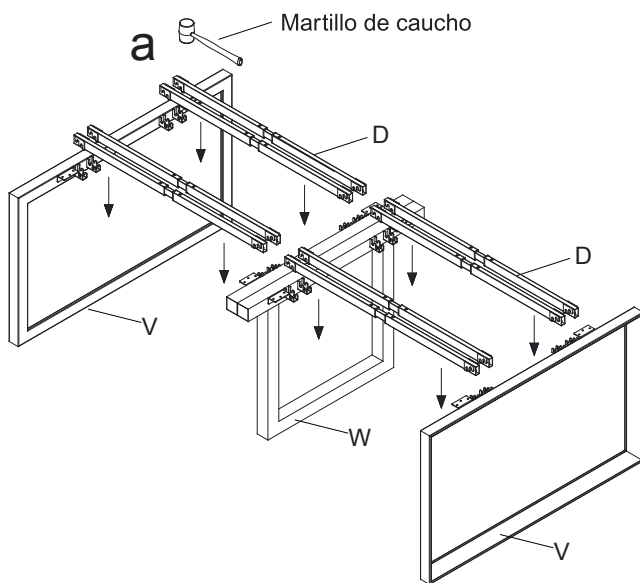
PASO 5

Asegúrese de que las esquinas y los bordes del escritorio estén bien protegidos antes de voltear el escritorio.

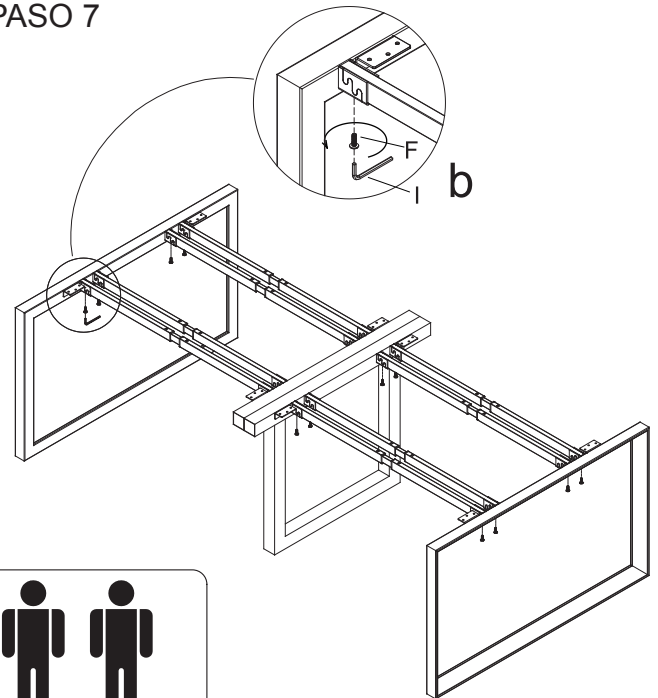
IMPORTANT NOTE:

- Place all laminated parts on a clean and smooth surface such as a rug or carpet to avoid the parts from being scratched.
- Check to make sure that you have all parts and hardware.
- Remove all wrapping materials, including staples and packaging straps before you start to assemble.
- Do not tighten all screws/bolts until pieces are completely assembled.
- Keep all hardware parts out of children's reach.
- It is recommended for 2 persons to complete this assembly.

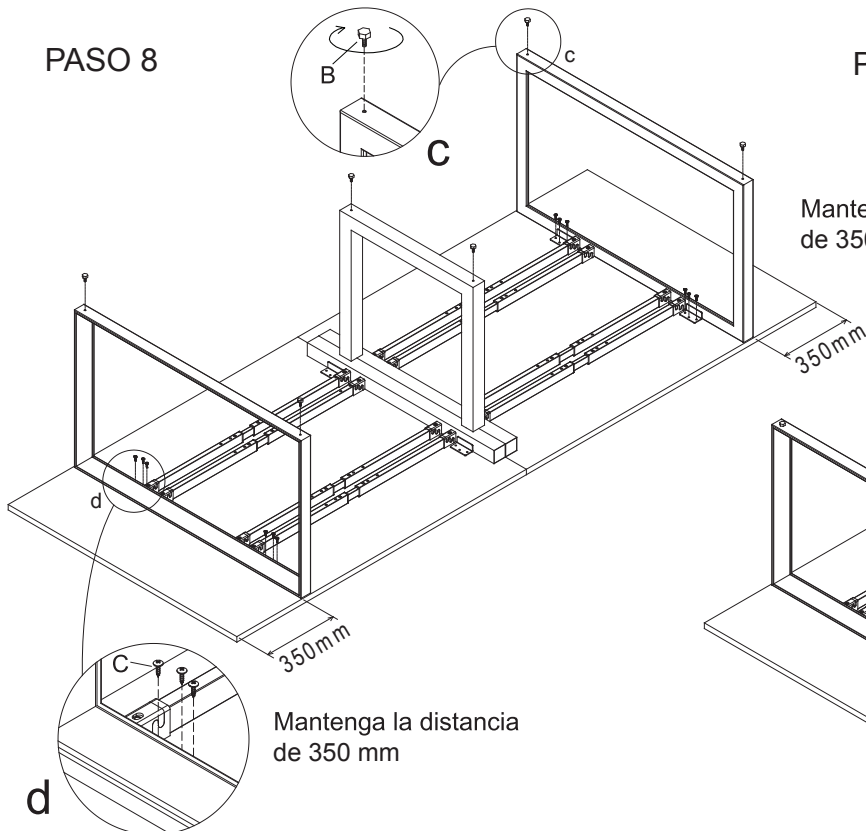
PASO 6



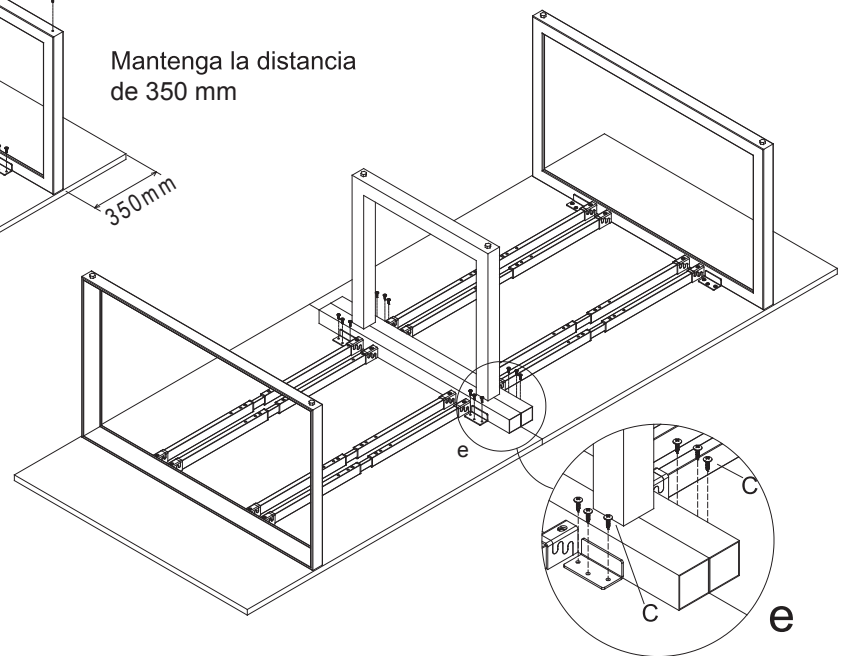
PASO 7



PASO 8



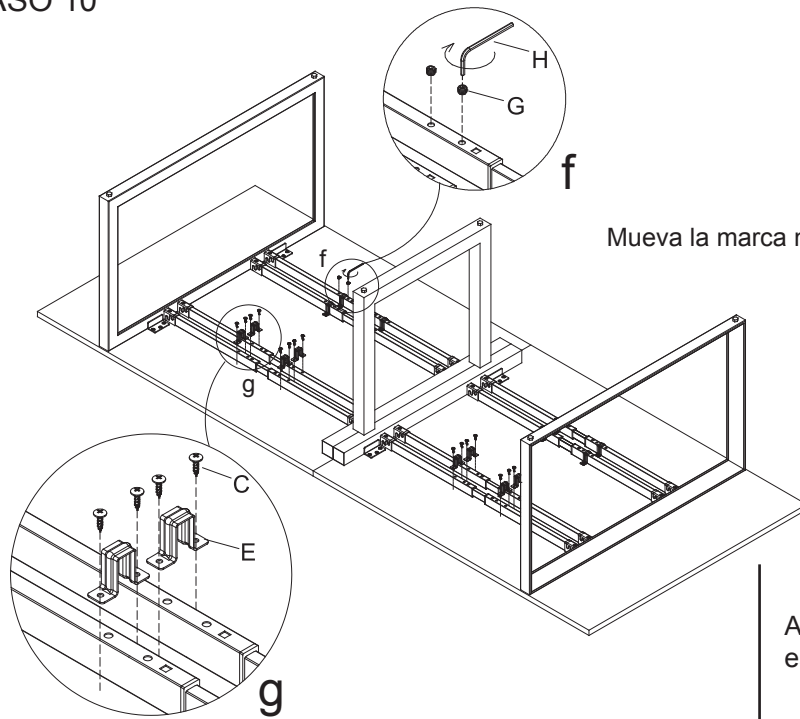
PASO 9



IMPORTANT NOTE:

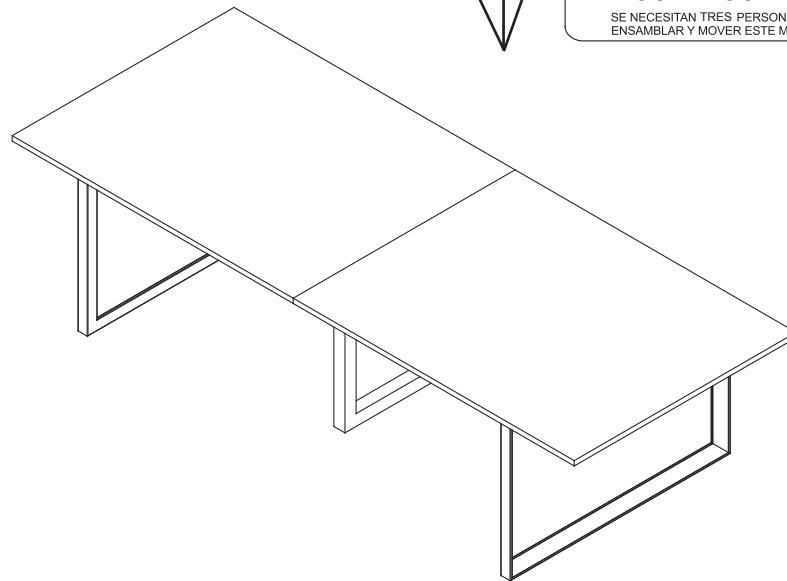
- Place all laminated parts on a clean and smooth surface such as a rug or carpet to avoid the parts from being scratched.
- Check to make sure that you have all parts and hardware.
- Remove all wrapping materials, including staples and packaging straps before you start to assemble.
- Do not tighten all screws/bolts until pieces are completely assembled.
- Keep all hardware parts out of children's reach.
- It is recommended for 2 persons to complete this assembly.

PASO 10



Mueva la marca negra de 48" al centro antes de apretar el tornillo G.

Asegúrese de que las esquinas y los bordes del escritorio estén bien protegidos antes de voltear el escritorio.

**IMPORTANT NOTE:**

- Place all laminated parts on a clean and smooth surface such as a rug or carpet to avoid the parts from being scratched.
- Check to make sure that you have all parts and hardware.
- Remove all wrapping materials, including staples and packaging straps before you start to assemble.
- Do not tighten all screws/bolts until pieces are completely assembled.
- Keep all hardware parts out of children's reach.
- It is recommended for 2 persons to complete this assembly.

Instructions

CALL US FIRST! DO NOT RETURN TO STORE.

For immediate help with assembly or product information call our toll-free number: **1-888-598-7316** Mon. - Fri. 7am to 7 pm CST
Our staff is ready to provide assistance. Damaged or missing parts ship from our facility in 1-2 business days.

Please provide the following information:

1. Full Name
2. Physical Address – do not include P.O. Box as our carriers cannot deliver to P.O. Boxes
3. Phone Number
4. Model Number
5. Part Number
6. Invoice #
7. Date of Purchase

Note: Our policy is to send all parts requests via normal ground transportation. If your requirements are to have these parts via overnight/next day, please provide your designated carrier and account number. Replacement panels are not available. If any damage has occurred during shipment please return the entire unit to place of purchase for credit and replacement. Original invoice may be required.

Before you begin:

Open, identify and count all parts prior to assembly. Lay out the parts on a non-abrasive surface such as carpet or blanket.

Instructions

APPELEZ-NOUS D'ABORD! NE REVENEZ PAS AU MAGASIN.

Pour obtenir une aide immédiate concernant l'assemblage ou des informations sur les produits, appelez notre numéro sans frais :
1-888-598-7316 Lun. - vend. 7h à 19 h CST Notre personnel vous attend pour vous offrir son aide.
Les pièces endommagées ou manquantes sont expédiées de nos locaux sous 1 à 2 jours ouvrables.

Veillez inclure les informations suivantes :

1. Nom complet
2. Adresse physique – ne pas inclure de boîte postale, car nos porteurs ne peuvent pas livrer à ces boîtes.
3. Numéro de téléphone
4. Numéro de modèle
5. Numéro de pièce
6. Numéro de facture
7. Date d'achat

Remarque : Notre politique est d'envoyer toutes les pièces demandées par transport terrestre normal. Si vous voulez recevoir ces pièces le jour suivant, indiquez votre porteur désigné ainsi qu'un numéro de compte. Nous ne fournissons pas de panneaux de rechange. En cas d'endommagement en cours de transport, renvoyez l'unité entière au lieu d'achat pour recevoir un crédit ou un échange. La facture originale vous sera peut-être demandée.

Avant de commencer:

Ouvrez, identifiez et comptez toutes les pièces avant l'assemblage. Disposez à plat les pièces sur une surface non abrasive comme un tapis ou une couverture.

Instrucciones

¡LLÁMENOS PRIMERO! NO DEVUELVA EL PRODUCTO A LA TIENDA.

Para recibir ayuda inmediata con el ensamble o información del producto, llame a nuestro número gratuito: **1-888-598-7316**
De lunes a viernes de 7 a.m. a 7 p.m., hora del Centro. Nuestro personal está preparado para brindarle asistencia.
Las partes dañadas o faltantes saldrán de nuestras instalaciones en el transcurso de 1 a 2 días hábiles.

Recuerde proporcionar la siguiente información:

1. Nombre completo
2. Domicilio físico – No incluya apartados postales debido a que no podemos realizar entregas en un apartado postal.
3. Número telefónico
4. Número de modelo
5. Número de parte
6. Número de factura
7. Fecha de compra

Nota: Nuestra política es enviar todas las solicitudes de partes por transporte terrestre regular. Si usted solicitó el envío de estas partes durante la noche o con entrega al día siguiente, proporcione el nombre de su compañía de mensajería y su número de cuenta. Los paneles de repuesto no están disponibles. Si ocurrió algún daño durante el envío, devuelva la unidad completa al lugar de compra para su devolución o reposición. Es posible que le pidan la factura original.

Antes de iniciar:

Abra, identifique y cuente todas las partes antes del ensamble. Coloque todas las partes en una superficie no abrasiva, como una alfombra o sábana.