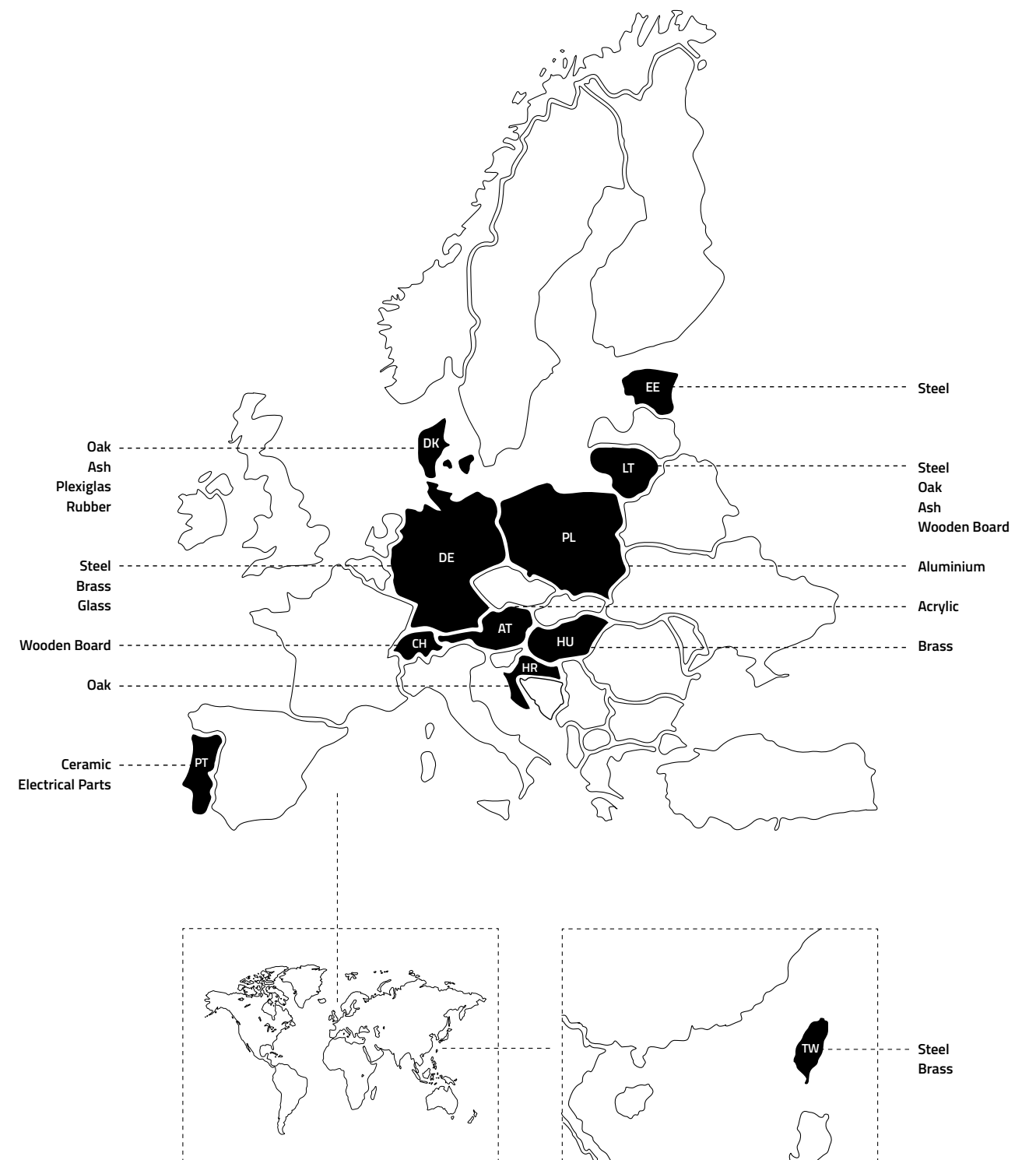


MOEBE

moebe.dk

MOEBE is a Copenhagen-based design studio formed in 2014 by architects Martin de Neergaard Christensen, Nicholas Oldroyd and cabinet maker Anders Thams. We create all designs in-house, prototype in our Copenhagen workshop and produce with a network of trusted partners – with 95% of those based in Europe.

We care about good design, what we make and how we make it. Sustainability has to be more than just skin deep. For us great design is not just about creating a beautiful shape in the colour of the moment. A great product has to be designed to last, to be repaired and easily recycled if and when that time (hopefully never) comes. It must be made using quality materials, produced in an honest way and never with a negative impact on people or our global environment.





Made to last

We believe in what we do and in the quality of our products. That's why all of our designs come with a 5-year warranty. This guarantee covers any functional, material or manufacturing defect on any product you buy from us for private use. We've got you covered.



Right to repair

The modular design of our products allows them to be easily repaired should they break. We offer spare parts for all of our designs, so only the piece that is broken needs to be replaced rather than the product as a whole.



Produced with care

We like keeping our producers close. That's why more than 40% of our production is based in Denmark. It's also why 95% of our total production takes place within the EU. We assess each partner we work with to ensure they meet our stringent social and environmental standards. Placing the vast majority of our production in Europe supports these beliefs, with the EU providing a strong legal framework supporting us when making sure that people and the environment are treated correctly.



Packaged responsibly

The packaging we use is as important to us as our designs, which is why all of our products arrive in cardboard-based packaging, with no lamination. This protects them through the rigours of shipping and can be easily recycled once its job is done.



Optimised for transport

Our products are constructed from individual parts, meaning they can be packaged in their most reduced form. This helps us cut down transport volume to an absolute minimum and reduces our shipping footprint.



Certifications

We believe in the importance of working with suppliers who respect the natural environment and ensure a sustainable harvest, working continually to select responsible materials at each stage of production. All of our wood is European, and we are proud to be recognised by trusted organisations such as FSC®, PEFC® and EU Ecolabel® across many of our designs. You can find more information on materials and certifications under each product.

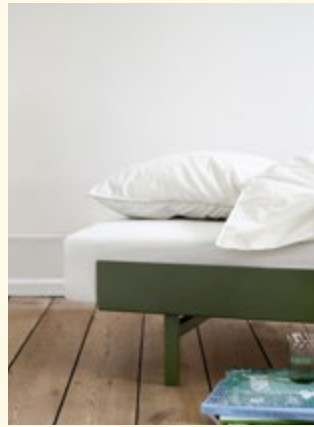




Shelving System | Page 10



Wall Shelving | Page 34



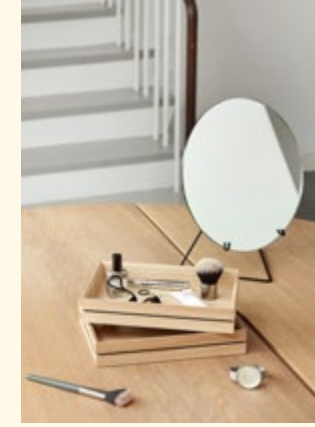
Bed | Page 50



Tall Wall Mirror | Page 92



Wall Mirror | Page 96



Standing Mirror | Page 100



Storage Box | Page 60



Organise | Page 66



Cutting Board | Page 70



Ceramic Pendant | Page 104



Wall Hook | Page 110



Coat Rack | Page 114



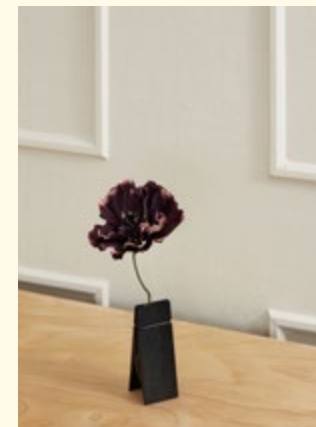
Gallery Shelf | Page 74



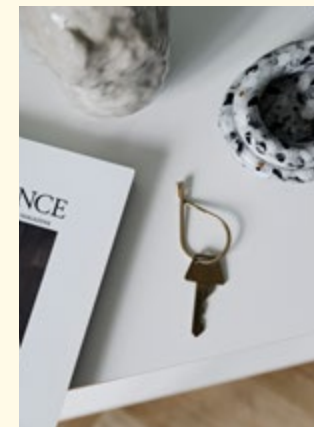
Frame | Page 78



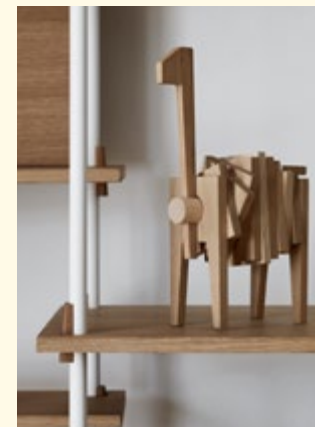
Papercut Artworks | Page 88



Pinch | Page 118



Key Ring | Page 122



Polygrif | Page 126

Shelving System

Shelving System gives you full freedom to build your own furniture. Build as tall and as wide as you like. Build around corners, or even span different levels. Let your system function as a room divider or simply place it against a wall.



Shelving System, Cabinet, Oak – White

Shelving System



Shelving System, Set S.65.1.A, Oak – Black



Shelving System, Backplate, Smoked Oak – Black



Shelving System, Set S.200.2.A, Smoked Oak – Black



Shelving System, Clothes Bar, Oak – White



Shelving System, Oak – Black



Shelving System, Cabinet, Oak – White



Shelving System



Shelving System, Oak – Black

Shelf 85 x 17,5 is a narrow shelf that is half the depth of a standard shelf. It is ideal for displaying smaller items such as cups, spices and kitchen essentials. It also works great in the office for storing your pencils, notebooks, staplers and all the rest.

Shelving System, Set S.200.1.E, Oak – White



Shelving System



Shelving System, Set S.255.2.E, White – White



Shelving System, Desk, Oak – White

Transform Shelving System into a home office by adding a desk. The desk simply replaces one of the shelves, and can be placed at any height. Add a cabinet to your system to hide away the things you don't want lying around – we all have them. As with all parts, cabinet can be placed at any height within the system, and allows for shelves to be placed on either side.



Shelving System, Set S. 200.2.B, Black – Black

More space – more freedom. The 162 x 35 Double Length shelf spans across two bays and adds more freedom and flexibility to your shelving system. Whether placed under a TV or used for the growing vinyl collection, the 162 x 35 shelf is the perfect choice for that extra need for storage on the same level. It is beautiful both as a standalone piece and in combination with the other shelving elements.

Shelving System



Shelving System, Set S.115.1.B, Smoked Oak – White



Shelving System



Shelving System, Smoked Oak – Pine Green



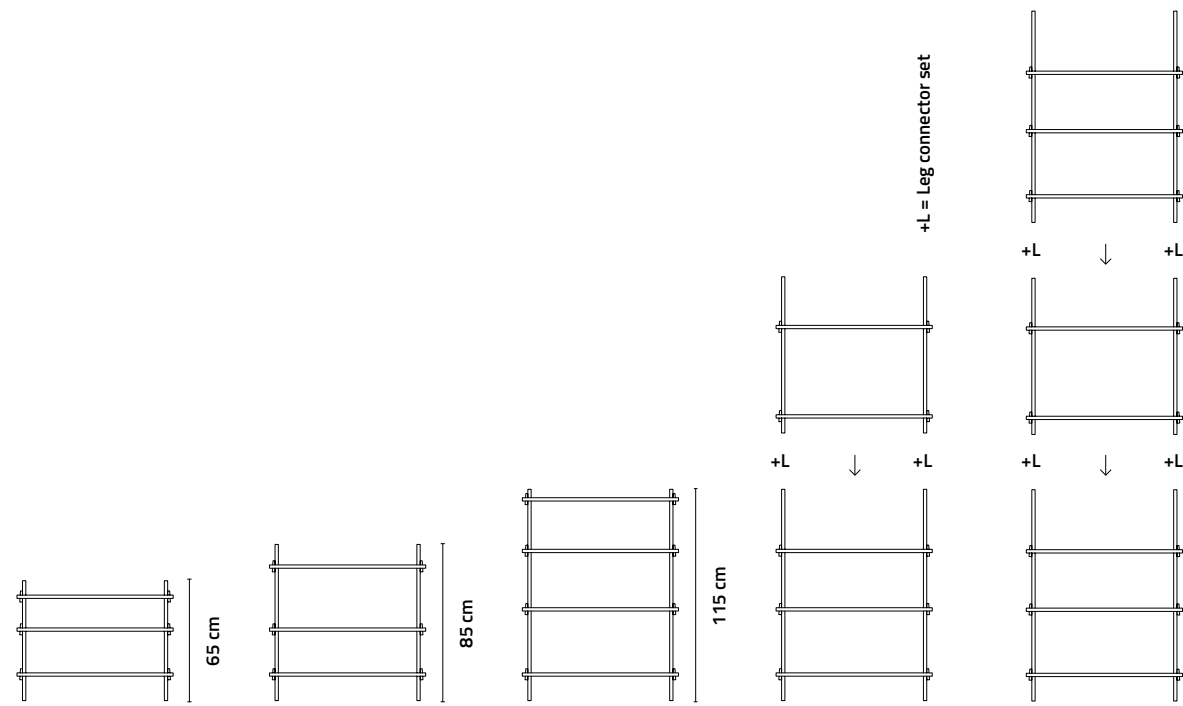
Shelving System, Set S.200.1.G, Smoked Oak – Deep Blue

Shelving System, Desk, Oak – Warm Grey



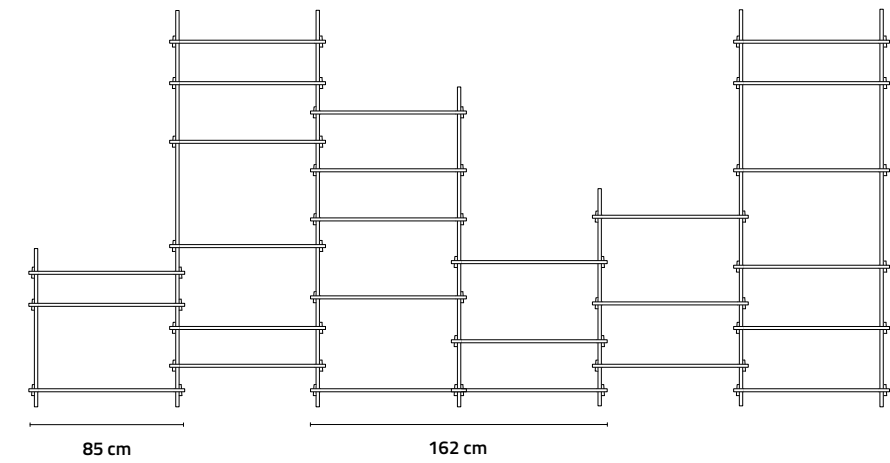
Shelving System, Set S.85.2.A, Oak – Pine Green

Shelving System



Build as tall as you like

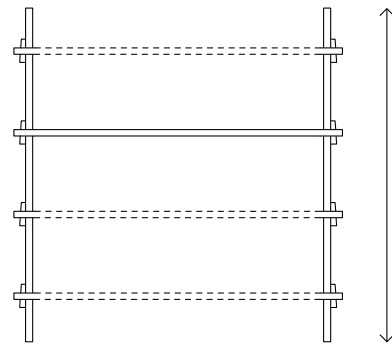
We offer three leg sizes: 65 cm, 85 cm and 115 cm. All legs can be attached together in any combination by joining them with our Leg connector sets. The only limitation is the height of your space.



Build as wide as you like

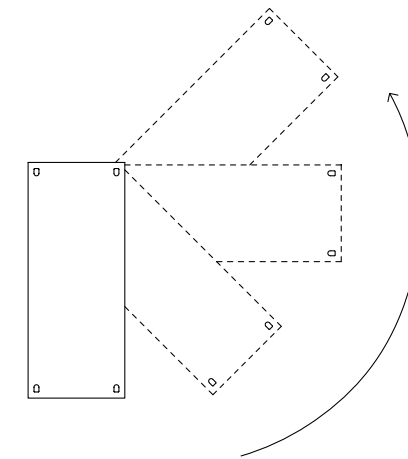
Simply keep adding leg sets and shelves in whichever direction you want to go. One bay measures 85 cm. Because of the overlap each additional bay will add 78 cm to the length.

Shelving System



Shelves at any height

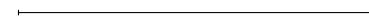
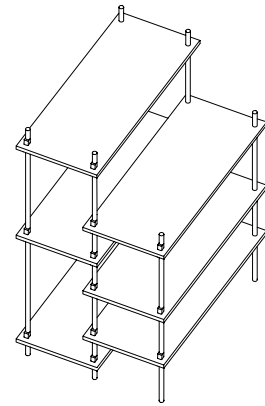
The shelves are held in place by wedges, and therefore, there are no predefined positions. You can place a shelf at any height and add as many shelves as you like.



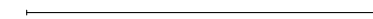
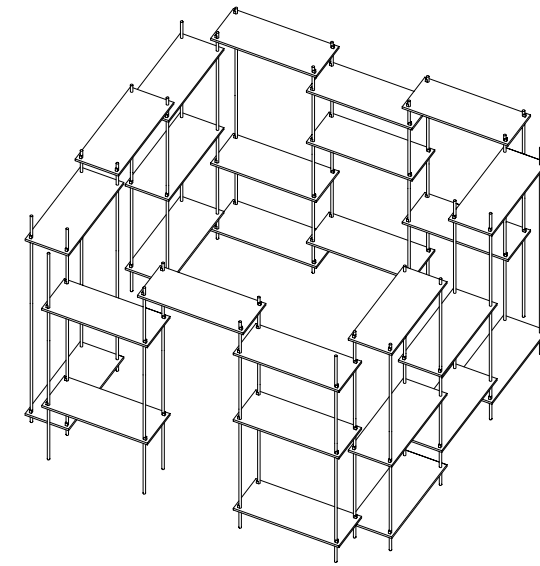
Adapt to any space

Each leg is independent making it possible to pivot and change directions within your system. This enables you to create a huge array of space divisions or simply go around a corner. See examples on page 34 – 35.

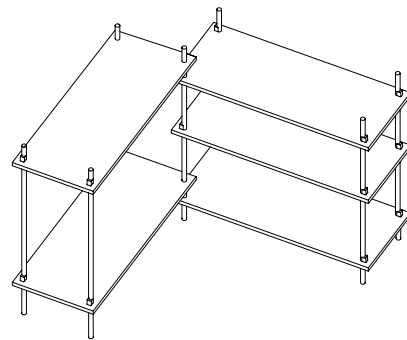
Shelving System



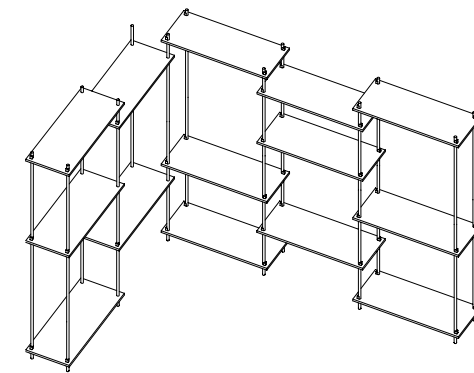
Back to back



Create a new space



Go around corners



Divide a space

Wall Shelving

Designed for every wall in your home. Whether as a small system hanging, or a larger one standing on the floor. Create a simple look, using only one set. Or go a little crazy and build an entire wall of shelves.



Wall Shelving, Set WS.230.1, Oak – White

Wall Shelving



Wall Shelving, Set WS.200.2, Oak – Black



With a depth of 17.5 cm, the shelves are ideal for smaller items and pocket books. Use them for displays in the living room, additional storage in the kids room, or in the kitchen for spices, glassware and cookbooks.



Wall Shelving



Wall Shelving, Set WS.85.1, White – White



Wall Shelving, Set WS.115.1, Black – Black



Wall Shelving, Set WS.200.2.B, Oak – Warm Grey

Wall Shelving



Wall Shelving, Set WS.85.2.B, Smoked Oak – Black



Wall Shelving, Smoked Oak – Warm Grey

Wall Shelving



Wall Shelving, Set WS.85.2, Oak – Deep Blue

Wall Shelving, Set WS.200.1, Smoked Oak – Deep Blue



There are many ways of using a Wall Shelving at home; hang a system on the wall, or leave it standing on the floor. Place shelves at any height, simply release the wedges, reposition and secure the wedges back in place.

Wall Shelving



Wall Shelving, Set WS.200.2, Oak – Pine Green



Bed

The MOEBE Bed is designed to be the last bed you'll ever need. Ecolabelled and expandable, it's a bed for life.



Bed 90 cm, Pine Green

Bed



From 90 cm

to 180 cm and any size in between



Bed 90 – 180 cm, Side Table, Pine Green



Bed 90 – 180 cm, Side Table, Dusty Rose



Bed 90 cm, Black

Bed



Bed, Side Table, Sand

Use it as a single bed in the kid's room or guest room. Expand it to a double bed in the master bedroom. Or make it fit any size in-between. Bed is fully expandable, meaning it will fit any mattress from 90 to 180 cm. A minimal design consisting of a powder coated steel frame in four colours with optional side tables, it's designed to grow with you and your family. The MOEBE Bed is certified with the EU Ecolabel.



Storage Box

Stackable, minimal and spacious, our Storage Box is designed to hide away the things you often use but don't want lying around. Used with a Lid, it also functions as a side table, perfect for any room.



Storage Box, Set of three, Smoked Oak – Black | Lid, Smoked Oak



Storage Box, Oak – White | Lid, Oak

Storage Box



Storage Box, Smoked Oak – Black

Storage Box is designed in separable components, making it easy to assemble and disassemble. Use the steel frames as handles for moving around, and stack more than one to optimise on space. The box is stackable and stacks up to three. It is shipped flat-packed and sold individually or in sets of three. Storage Box is beautiful as a stand alone piece of furniture, whilst also fitting perfectly in the MOEBE Shelving System.



Storage Box, Oak – Black | Lid, Oak



Organise

Life is complex and full of things. Pencils, keys, glasses, magazines, chargers, all these things that need their own place. Organise does what it says: it provides a space for these things – it organises.



Organise, Small

Organise



Organise, Large | Organise, Small



Organise, Large | Organise, Small

Organise is made of solid untreated oak and is held together by a single rubber band. Available in A4 and A5, each size is stackable and compatible with the other.

Cutting Board

Designed for everyday use in the kitchen as well as for serving. Cutting Board is made from FSC certified European oak. The two edges have a sliding v-shaped profile creating a narrow edge for the board to stand and dry when cleaned, keeping the edges in better condition, longer.



Cutting Board



Cutting Board, Large



Cutting Board, Large

Gallery Shelf

Gallery Shelf is formed from a single piece of solid oak giving you space to display your favourite art pieces and objects. A narrow groove makes sure the frames stay in place.

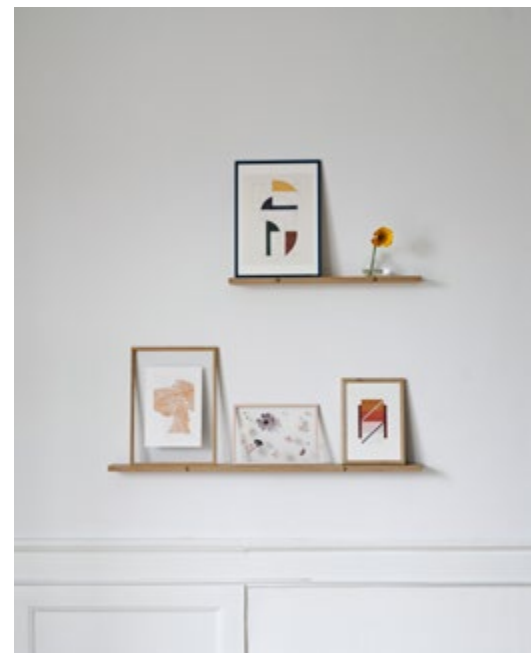


Gallery Shelf, 115 cm, Oak

Gallery Shelf



Gallery Shelf, 115 cm, Black



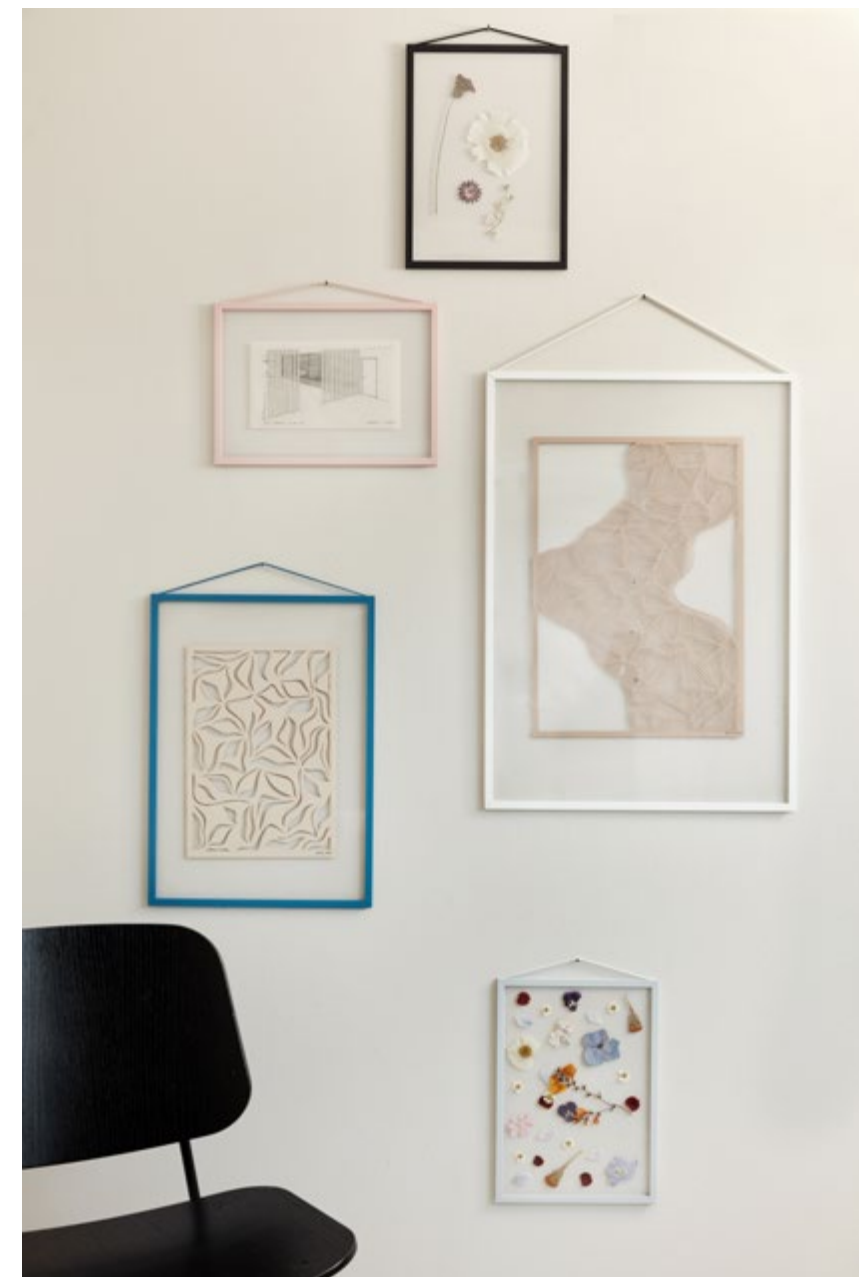
Gallery Shelf, 115 cm, Oak | Gallery Shelf, 70 cm, Oak



Hang one Gallery Shelf in the childrens' room and have all their favourite books within reach ready for a good-night-read or place several shelves together in the living room and create a full blown gallery wall.

Frame

Frame consists of two pieces of acrylic glass, four lists made of either untreated certified oak, ash, or aluminium, and a rubber band. The rubber band holds the frame together and also serves for hanging the frame on your wall, either horizontally or vertically.



Frame, A4, Light Grey | Frame, A4, Pale Rose |
Frame, A4, Black | Frame, A3, Petrol Blue | Frame,
A2, White

Frame, 40 x 50 cm, Oak | Frame, 50 x 70 cm, Oak |
Frame, 40 x 50 cm, Black | Frame, 50 x 70 cm, Black



Frame



Frame, A4, Light Grey

Rethinking the traditional way of framing an artwork, the transparent glass lets you create a passe partout around an artwork of any size. This makes it possible to frame anything you want: drawings, prints, dried flowers, small memories, you name it.

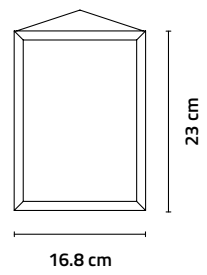


Frame, A2, Oak

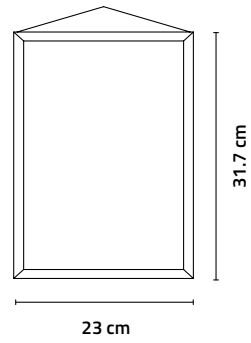


Light Grey Petrol Blue Deep Red Pale Rose White Black Ash Oak

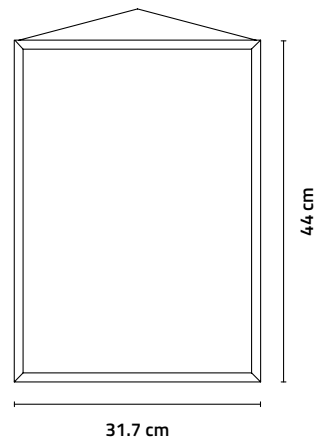
Frame



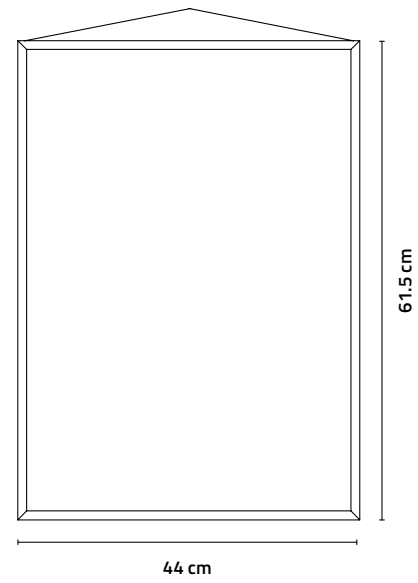
A5



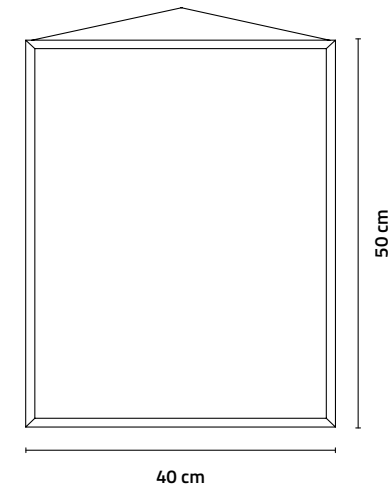
A4



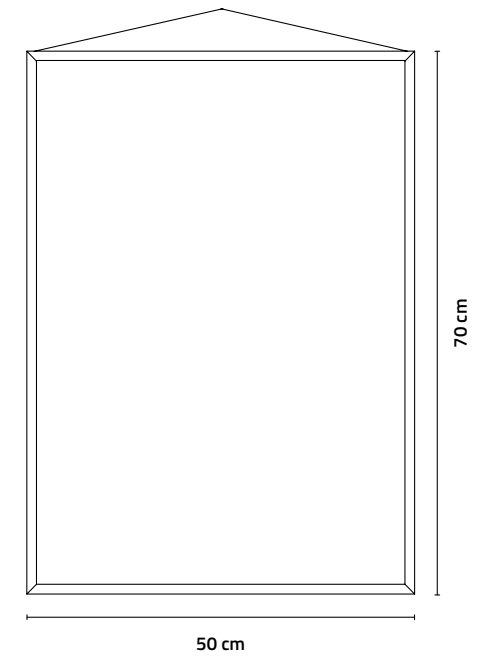
A3



A2



40 x 50



50 x 70

Papercut Artworks

Papercut Artworks is a four part poster series that we created especially for the MOEBE Frame. Each piece is designed to play with the effects of light, shadow and transparency in varying ways, with their expression changing in different lights and times of day. The Artworks are available in three sizes: A5, A4 and A3.



Papercut Artworks



Circles & Squares, A5



Half Moons & Triangles, A5



Organic Lines, A5



Shifted Lines, A5

Tall Wall Mirror

A full-body wall mirror, Tall Wall Mirror is designed to sit on your wall with as little fuss as possible. Formed from a single piece of mirror glass held by a lightweight metal wireform. The mirror is hung from a simple L hook mounted to the wall.



Tall Wall Mirror, Brass

Tall Wall Mirror, Black



Tall Wall Mirror, Chrome



Wall Mirror

A frameless mirror held by a lightweight wire form which holds the glass in place. The mirror is kept simple, leaving the core function – the glass – to speak for itself.



Wall Mirror, Ø50, Black

Wall Mirror



Wall Mirror, Ø70, Brass



Wall Mirror, Ø50, Chrome



Wall Mirror, Ø30, Black

Standing Mirror

This free-standing mirror is designed to sit on your table, shelf, cupboard. Formed from a single piece of mirror glass held by a lightweight metal wireform.



Standing Mirror



Standing Mirror, Ø20, Black



Standing Mirror, Ø20, Black | Standing Mirror, Ø30, Black |
Standing Mirror, Ø20, Brass | Standing Mirror, Ø30, Brass

Ceramic Pendant

This simple pendant lamp allows you to illuminate directly or to an angle. The lampshade has been left unglazed, raw and burnt at over 1100°C, creating a final surface that is matt and fine-textured. The lamp is handmade and therefore, every lamp slightly varies in shape, size, and colour, making each pendant unique. Ceramic Pendants are available in a Narrow and a Wide version.



Ceramic Pendant, Wide, Terracotta | Ceramic Pendant, Narrow, Terracotta



Ceramic Pendant, Wide, Light Grey



Ceramic Pendant, Narrow, Olive

Ceramic Pendant



Ceramic Pendant, Narrow, White



Ceramic Pendant, Wide, Olive

Wall Hook

Formed as one single continuous element, the hook has two points for hanging your coat, keys, or cap; either over the top of the bent wire or underneath on the actual hook. To keep the form of the wall hook as simple as possible, we turned the hook point inwards.



Wall Hook



Wall Hook, Large, Chrome | Wall Hook, Small, Chrome

Wall Hook, Small, Black



The hook is as simple to mount as it is to look at. With no extra pieces or additions needed, simply screw the hook into the wall until the round shoulder meets the finished surface.

Coat Rack

Drawing just a fine line on your wall, Coat Rack ensures a clean look for your hallway, kitchen or bathroom.



Coat Rack, 40 cm, Chrome

Coat Rack



Coat Rack, Chrome

Coat Rack, 70 cm, Black



The rack consists of a metal rod with 4-6 pegs. The pegs simply slide on the rod and can, therefore, be moved around as needed. As the rod can easily be removed from the wall, pegs can be added or removed in an instant.

Pinch

Some moments you just want to last a little longer. Pinch consists of two pieces of solid oak or ash and a single rubber band. At some point you may need to put on a new rubber band, any type will do. You can either use it standing or hanging from the hole in the back.



Pinch, Black



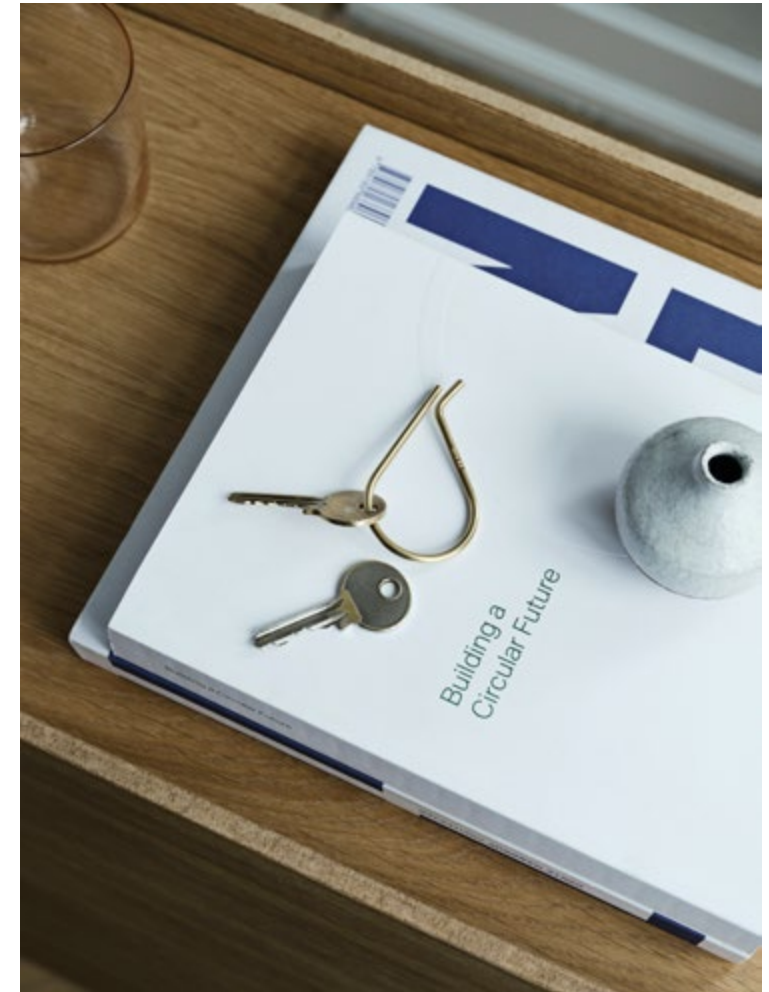
Pinch, Oak

Key Ring

Made of a single piece of solid brass wire, Key Ring will only grow more beautiful over time. The drop shaped brass wire is locked by a twisting mechanism securing your keys and keeping them organised and safe.



Key Ring, Brass



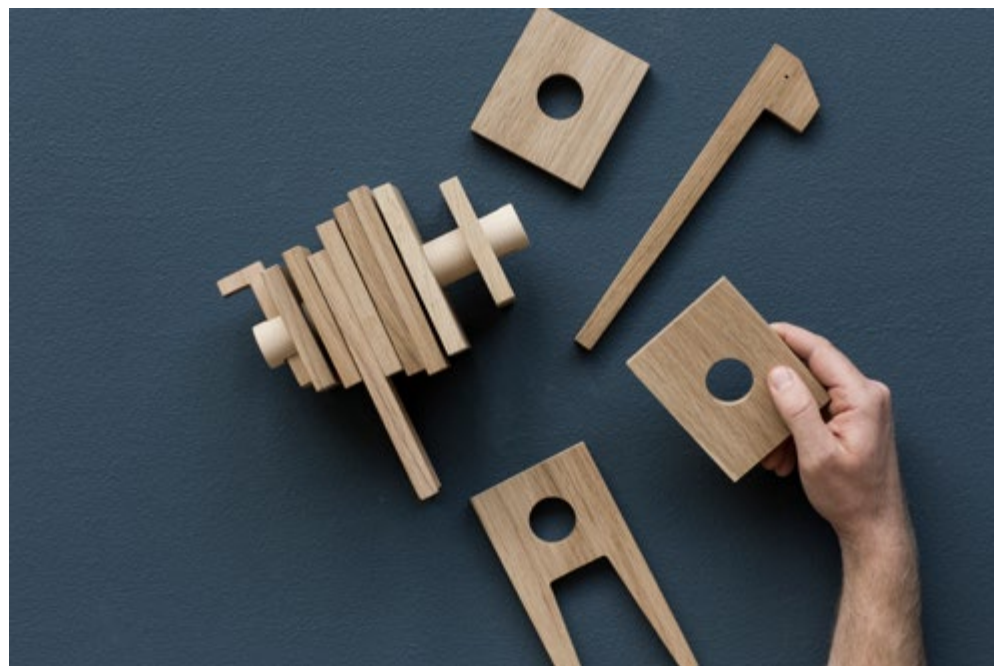
Key Ring, Brass

Polygrif

A customisable creation that transforms through the touch of your hands. Mind and hand working together to explore the endless expressions of these little creatures.



Polygrif



Polygrif, Oak

 **NOMAD**
お問い合わせ先
株式会社 NOMAD (ノマド)
<https://nomadinc.jp/>

本社
東京都渋谷区恵比寿南 2-8-2 キョウデンビル 6F
TEL: 03-6407-1073
MAIL: sales@nomadinc.jp
掲載情報は 2022 年 11 月時点のものです。