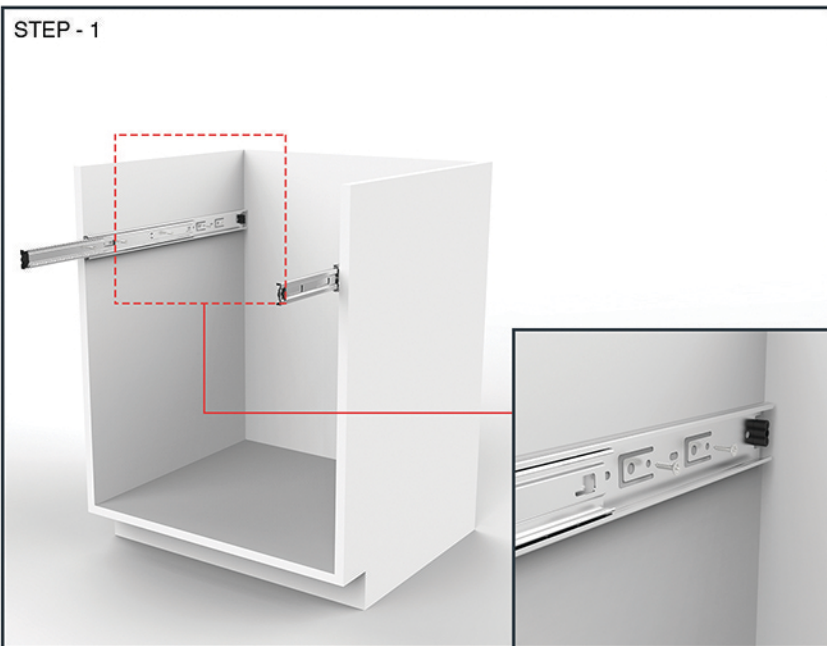
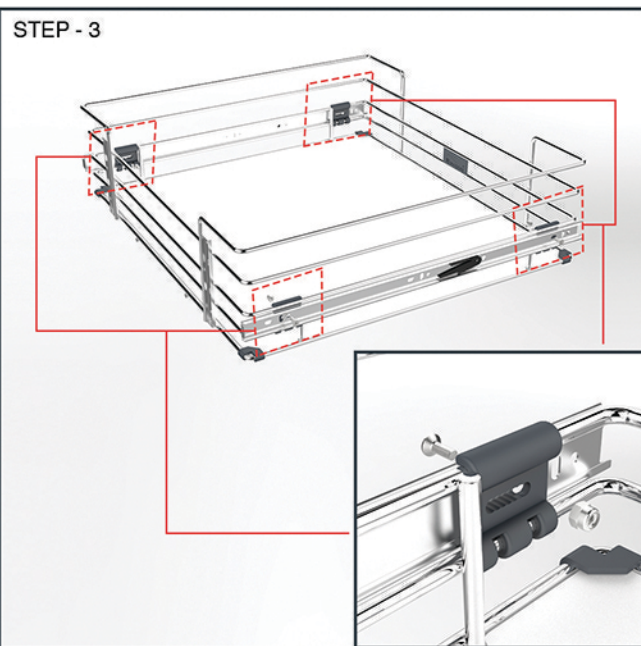




STEP - 1



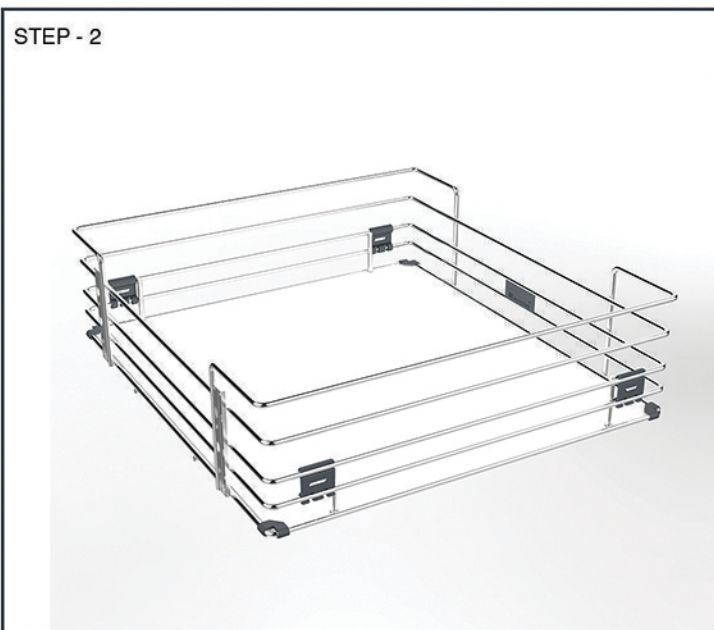
STEP - 3



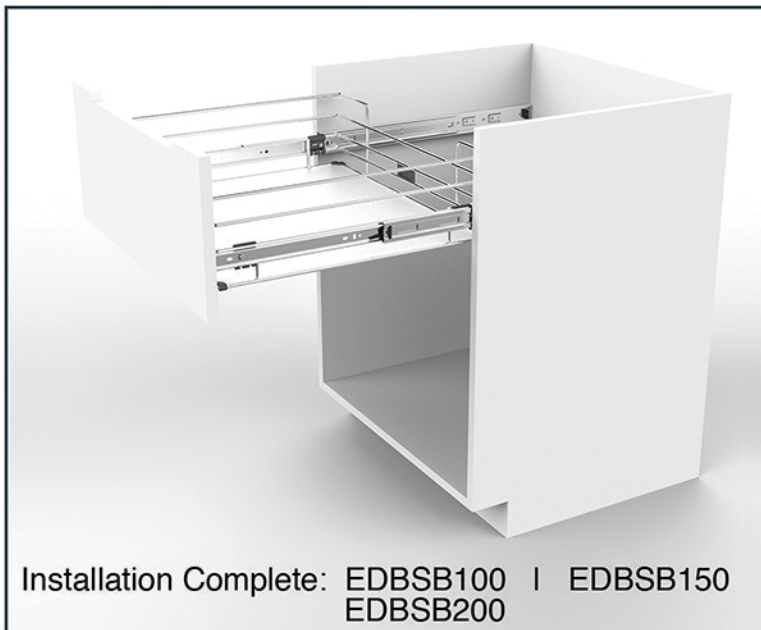
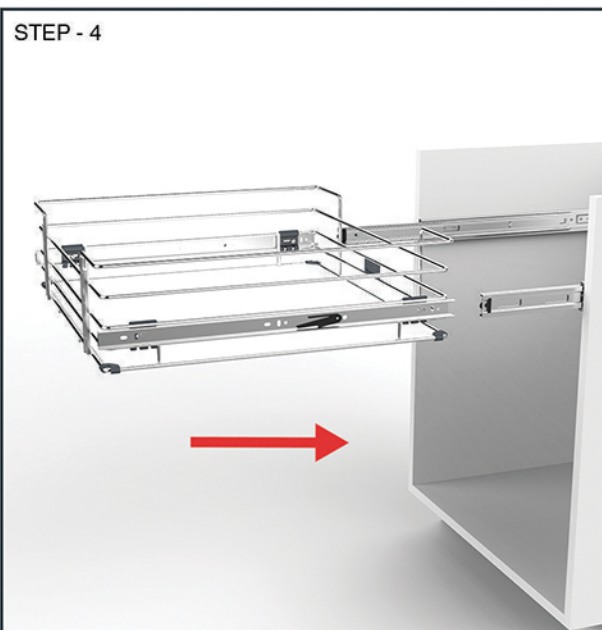
STEP - 5



STEP - 2



STEP - 4



Installation Complete: EDBSB100 | EDBSB150  
EDBSB200