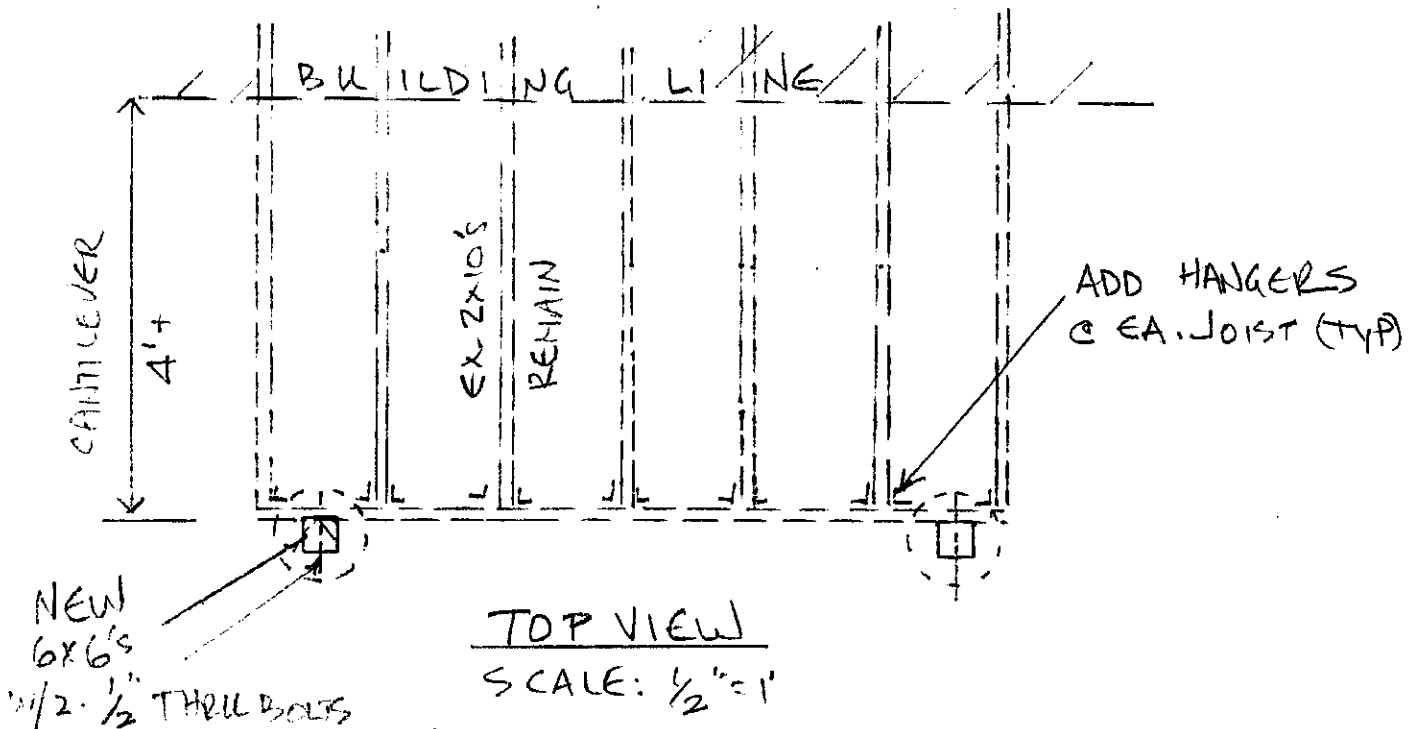
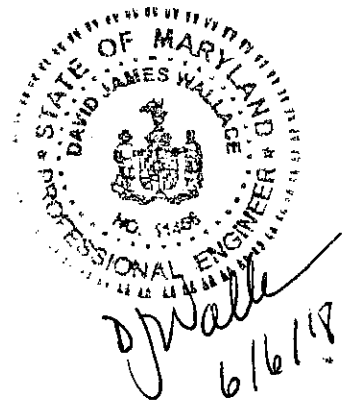
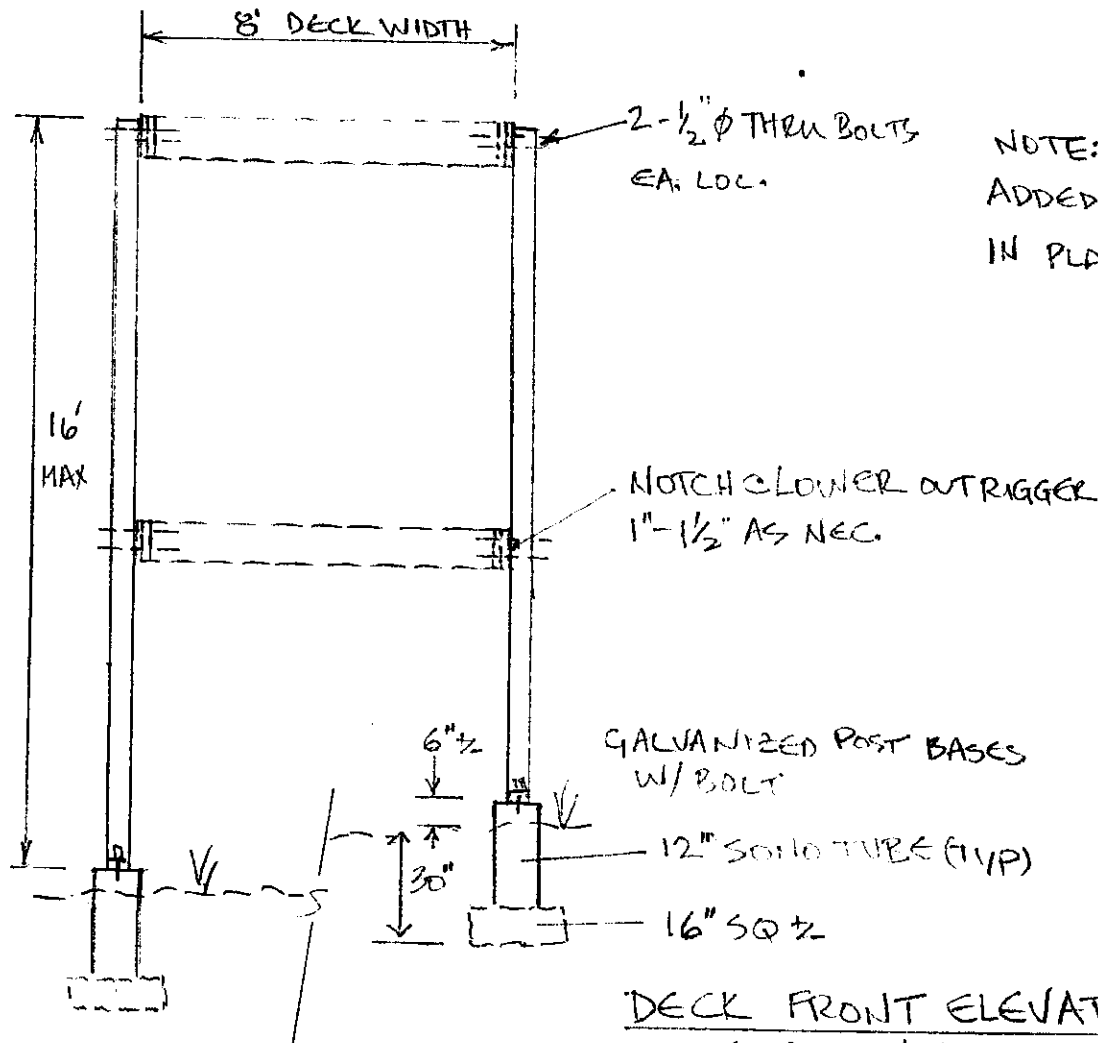
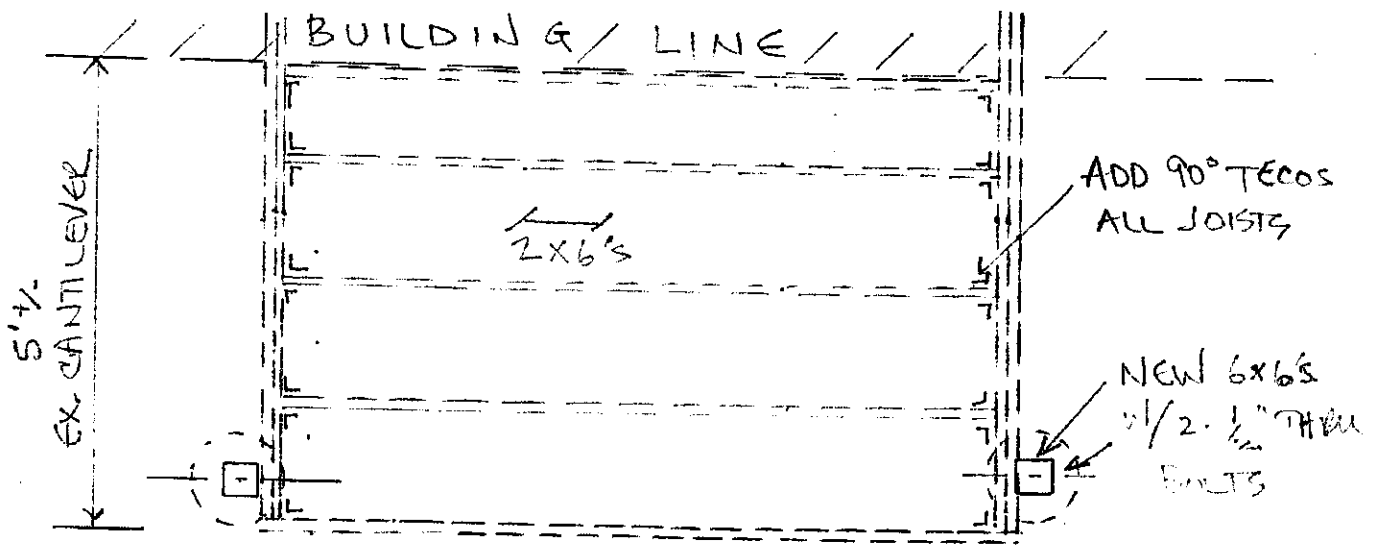
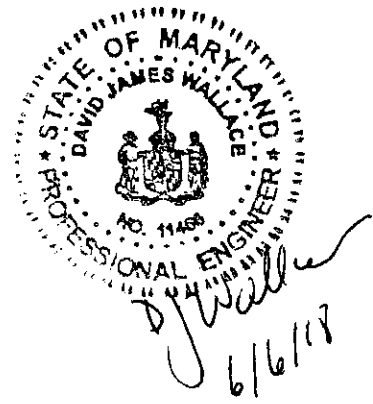


NOTE: 6x6'S CAN BE
ADDED WITH AZEK
TRIM IN PLACE





SCALE: $\frac{1}{4}$ " = 1'



SCALE: $\frac{1}{2}$ " = 1'