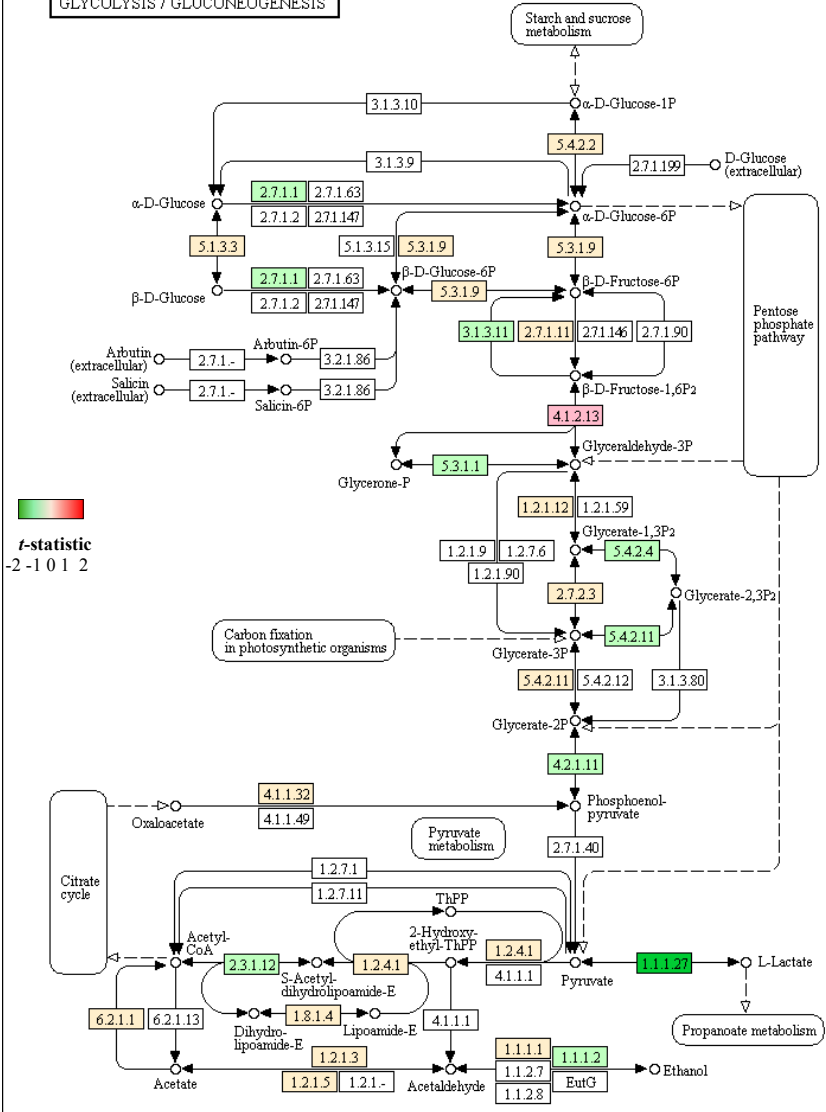


**A** GLYCOLYSIS / GLUCONEOGENESIS



**B** GLYCOLYSIS / GLUCONEOGENESIS

