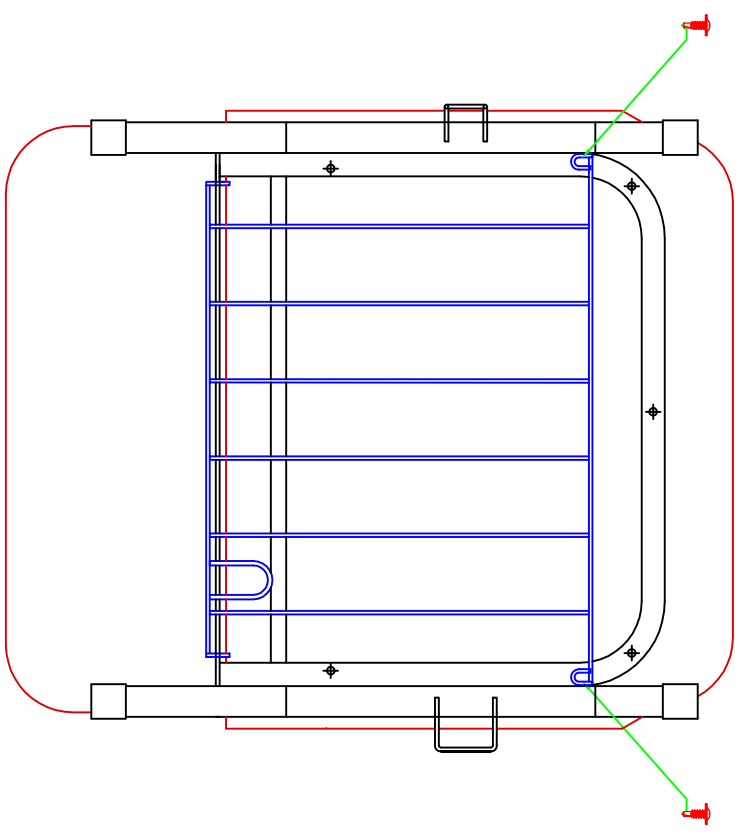
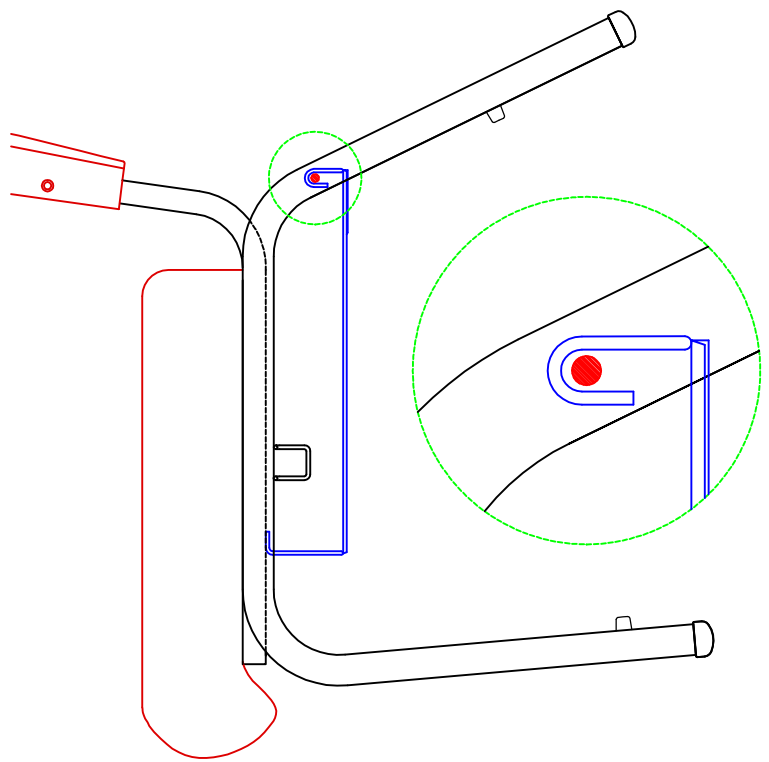
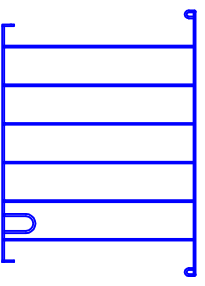


THIS IS NOT AN OFFICIAL DRAWING UNLESS MARKED WITH A CONTROL STAMP IN RED INK. NOTES: UNLESS OTHERWISE SPECIFIED

|     |        | REVISION    |          |     |      |
|-----|--------|-------------|----------|-----|------|
| LTR | ECO NO | DESCRIPTION | DATE     | CHK | APVD |
|     |        | NEW RELEASE | 06-25-13 |     |      |



1. TURN THE CHAIR UPSIDE DOWN WITH THE BACK REST CLOSEST TO YOU.
2. HOOK THE RACK'S REAR LOOPS OVER THE CHAIR'S SUPPORT ROD.
3. CENTER THE RACK'S FRONT LOOPS OVER THE 3/4" SEAT TUBES.
4. ATTACH THE RACK USING THE SCREW PROVIDED



|      |     |         |   |
|------|-----|---------|---|
| 2    | 2   | TO1019  | SCREW, WASHER HEAD SELF DRILL #8 x 3/4" L., BLACK |
| 1    | 1   | S01062  | AFTERMARKET BOOKRACK                              |
| ITEM | QTY | PART NO | DESCRIPTION                                       |

UNLESS OTHERWISE SPECIFIED TOLERANCES ARE IN INCHES  
 X/XX FRACTION 1/8  
 ANGLES ± 1/2°  
 DIMENSIONS ARE PER ISO 2-1000  
 SURFACE FINISH: 32  
 BREAK SHARP EDGES TO 0.05 R. OR CHAMFER  
 FILLS: 0.05 R. MAX.

DRAWN: F. FLORES  
 DESIGNER: BERTOLINI  
 APPROVAL: 06-25-13  
 MATERIAL: SEE PARTS LIST  
 SCALE: NONE

TITLE: 6301F AFTERMARKET RACK INSTALLATION INSTRUCTIONS  
 SIZE: DWG NO: D 16301F - INSTALLATION INSTRUCTIONS REV: A  
 FILE: 6301F - INSTALLATION INSTRUCTIONS SHEET 1 OF 1

**PROPRIETARY NOTICE**

THE DATA CONTAINED HEREIN CONSTITUTES PROPRIETARY INFORMATION OF BERTOLINI INC., AND SHALL NOT BE USED, DUPLICATED OR DISCLOSED IN WHOLE OR IN PART WITHOUT THE PRIOR WRITTEN CONSENT OF BERTOLINI INC.

**TOOLS REQUIRED:**  
 \* DRILL  
 \* PHILLIPS DRIVER BIT

**BERTOLINI INC.**  
 18941 Norton Ave. Unit A  
 Chino, CA 91710