

# Spring Loaded Drying Rack



## Assembly Guide PDR20KD\_2015\_B

Check out our other products online at  
[www.copernicused.com](http://www.copernicused.com)

For assistance, please contact us:

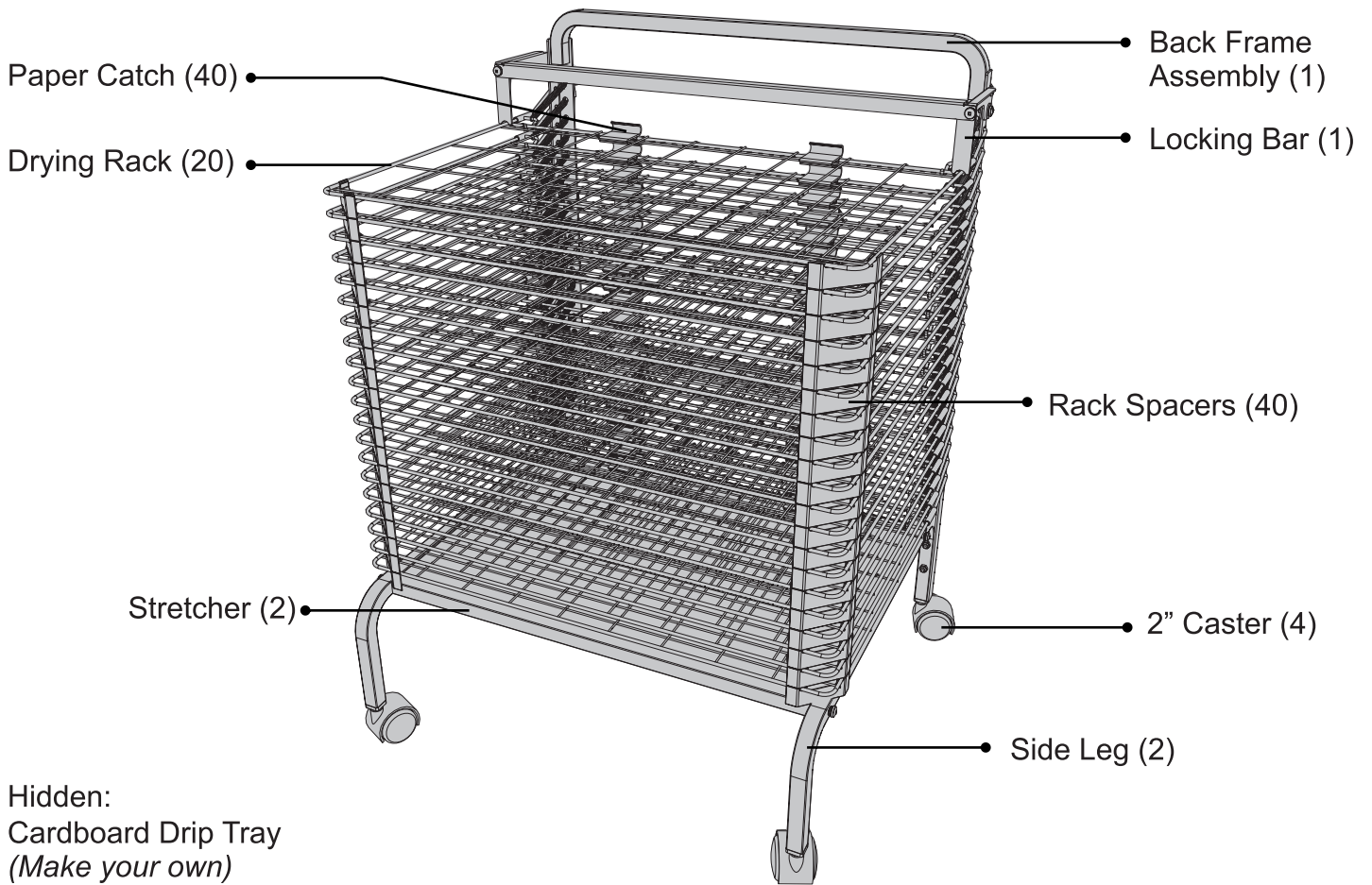
**1-800-267-8494**

Email [info@copernicused.com](mailto:info@copernicused.com)

Have your packing slip ready for reference

### WARNING !

- This product is meant to be assembled by an adult.
- In its unassembled state, small parts present a hazard.
- To be used under direct supervision of an adult.



**Check out some of our  
other great products!**



[www.copernicused.com](http://www.copernicused.com)

**Need Support?  
Have a Question?**



Email our Customer Support

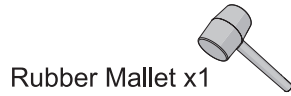


**Please Recycle**

# Spring Loaded Drying Rack - Parts

**Before beginning, you should have:**

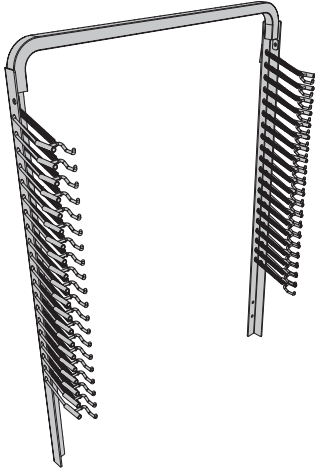
Additional tools required:



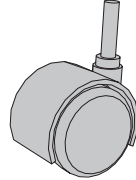
Contents - Box 1

Hardware  
Actual Size

Back Frame Assembly  
1x

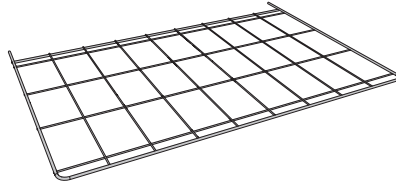


2" Caster with Brake  
4x



**In Box 1**

Drying Rack  
20x



(A) M6 x 35mm  
8x



(B) M6 x 15mm  
2x



(C) M5 x 10mm  
2x



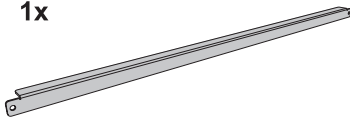
(D) M6 Lock Washer  
4x



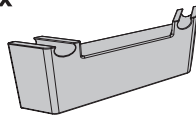
(E) Nylon Washer  
4x



Locking Bar Stretcher  
1x



Rack Spacer  
40x



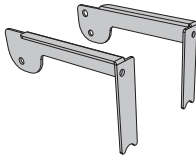
(F) M5 Lock Nut  
2x



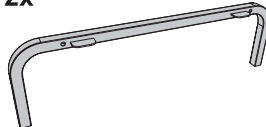
(G) M6 Lock Nut  
6x



Locking Bar Arms  
(1 Left, 1 Right)  
2x



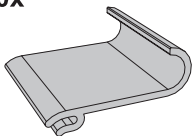
Side Leg  
2x



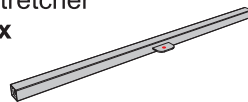
Allen Key  
(Not to Scale)  
1x



Paper Catch  
40x



Stretcher  
2x



# Tips for Assembly - Using this Manual



2 Person

## Watch for These Helpful Symbols

- This symbol denotes a 2 Person Task. For safety, please ensure that there are two people working on steps displaying this symbol



- Watch for this symbol throughout the Assembly Instructions. Wherever you see it, pay close attention. The symbol denotes a step needing extra attention to ensure it is done correctly.



- The Star symbol highlights an advisory note

## Before You Begin



- Layout and identify all of the included parts
- The hardware has been packed all in one bag
- Read the assembly instructions over once to familiarize yourself with them
- Please note that in its unassembled state, this product contains parts that can be a hazard to small children; it should be assembled by an adult.

## As You Assemble the Unit



- Follow the steps in sequence
- Before beginning each step, find the part(s) that you need for that step
- Pay attention to the labeling on the parts, they are there to help direct you at certain stages
- The title of each step states what you will be doing. Review the text and the pictures as you build the unit.



## Validate Your Warranty On-Line

To validate your warranty submit the ON-LINE form at [www.copernicused.com](http://www.copernicused.com)

“The beautiful thing about learning is that no one can take it away from you.” - B. B. King

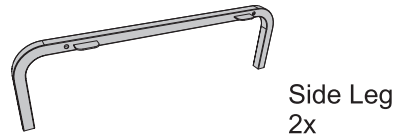
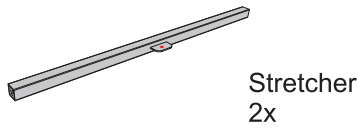


1

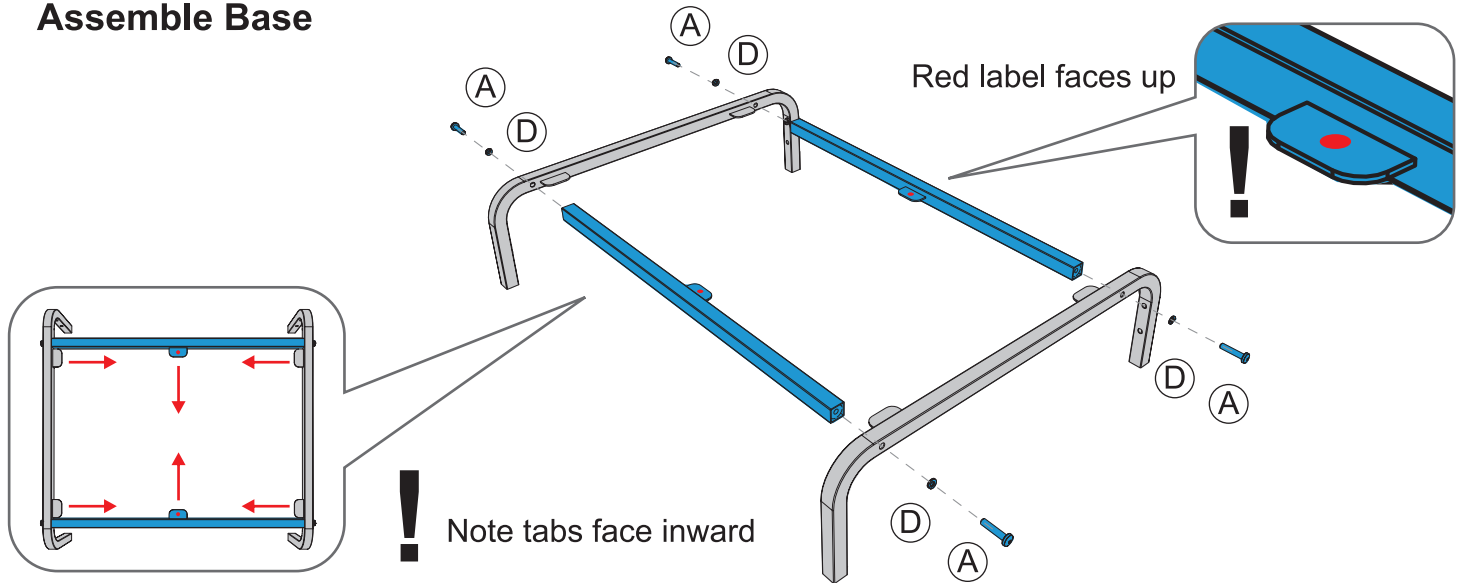
Actual Size:



You will need: (Not to Scale)



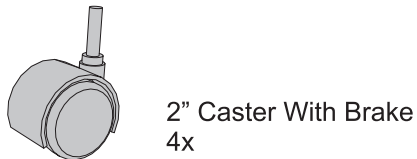
### Assemble Base



2

Actual Size:

You will need: (Not to Scale)

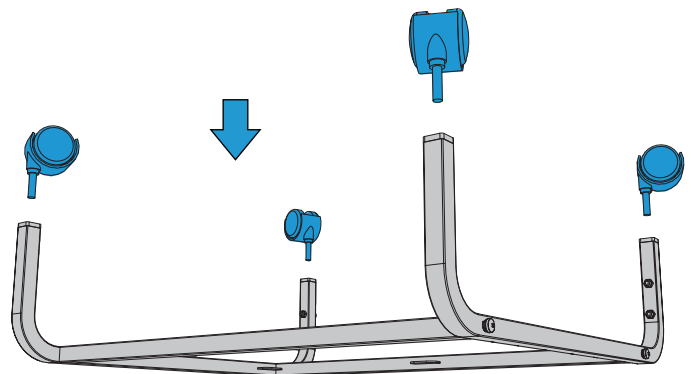


### Install Casters



Flip unit upside down.

Press Casters firmly into the Base:  
Casters will click into place.  
If necessary, tap the caster in  
using a rubber mallet.



3

Actual Size:



(A) M6 x 30mm 4x



(G) M6 Lock Nut 4x



2 Person

You will need: (Not to Scale)

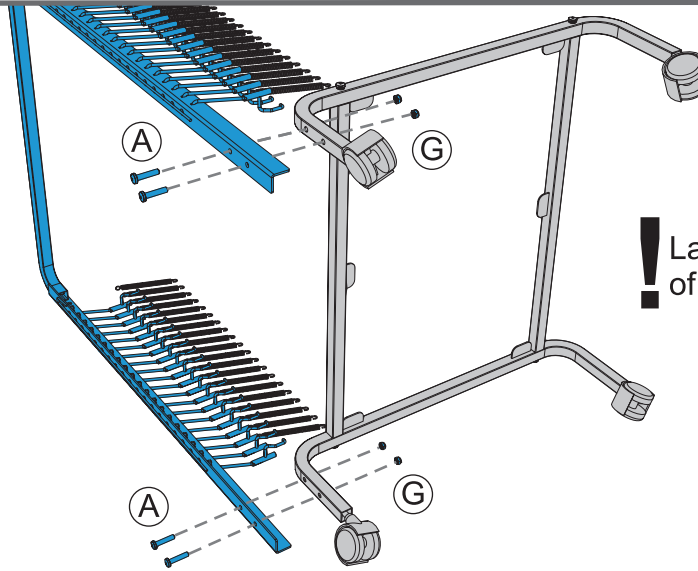


Back Frame Assembly 1x



Adjustable wrench x1

### Attach Back Frame

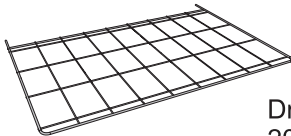


! Lay unit on side for ease of assembly.

4

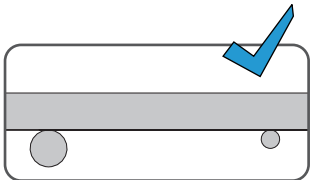
Actual Size:

You will need: (Not to Scale)

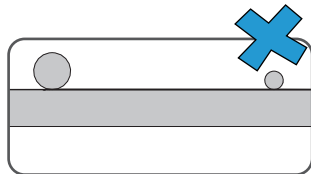


Drying Rack 20x

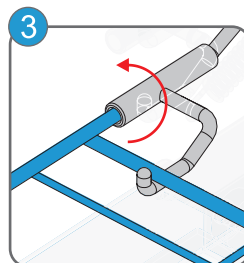
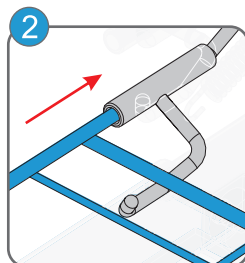
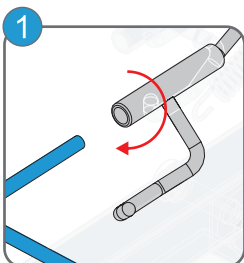
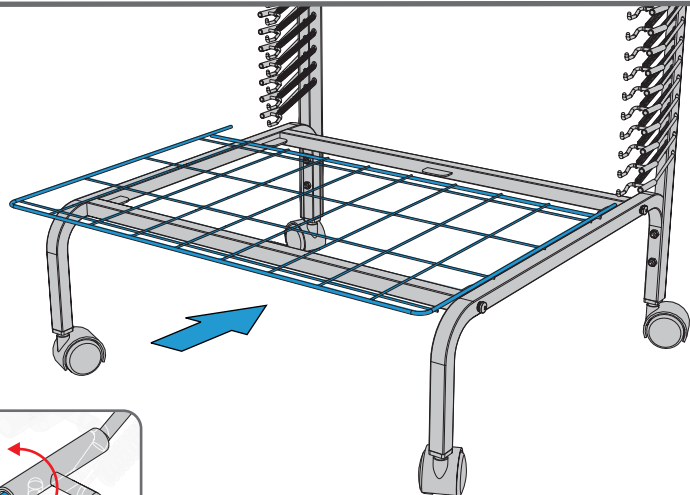
### Install Drying Racks



Grid wires should be below frame wire



Incorrect orientation



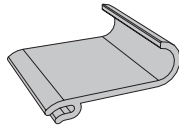
! Follow the steps below until all racks have been installed and secured on both sides.



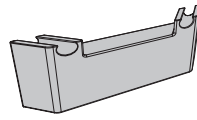
5

Actual Size:

You will need: (Not to Scale)



Paper Catch  
40x



Rack Spacer  
40x

### Insert Paper Catches and Rack Spacer



6

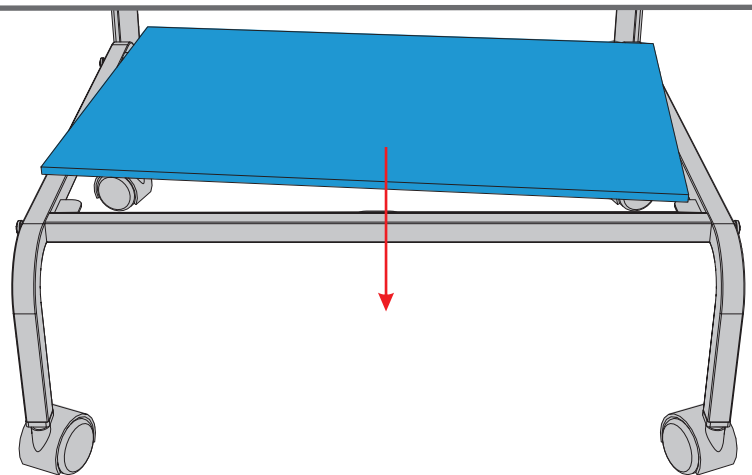
Actual Size:

You will need: (Not to Scale)

### Cutout Cardboard Drip Tray

Cut out your Cardboard Drip Tray from your packaging !

Replace it as often as you need, just cut a new one the following size:  
**W 55.6cm x D 37.7cm**



7

Actual Size:

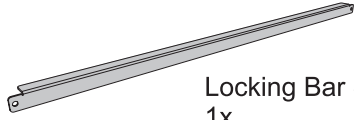


(C) M5 x 10mm  
2x

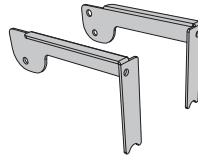


(F) M5 Lock Nut  
2x

You will need: (Not to Scale)



Locking Bar Stretcher  
1x

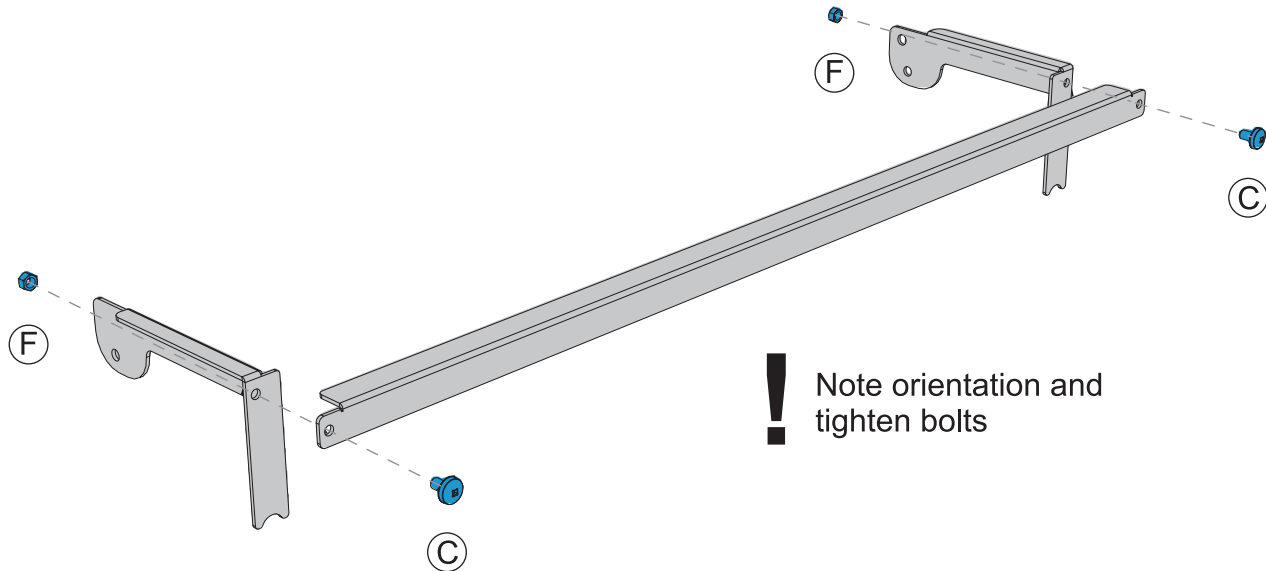


Locking Bar Arms  
(1 Left, 1Right)  
1x



Adjustable wrench x1

### Assemble Locking Bar



8

Actual Size:



(B) M6 x 15mm  
2x



(E) Nylon Washer  
4x



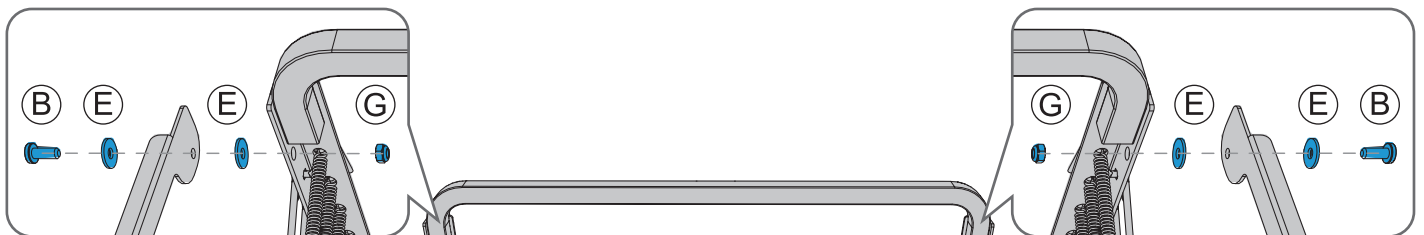
(G) M6 Lock Nut  
2x

You will need: (Not to Scale)



Adjustable wrench x1

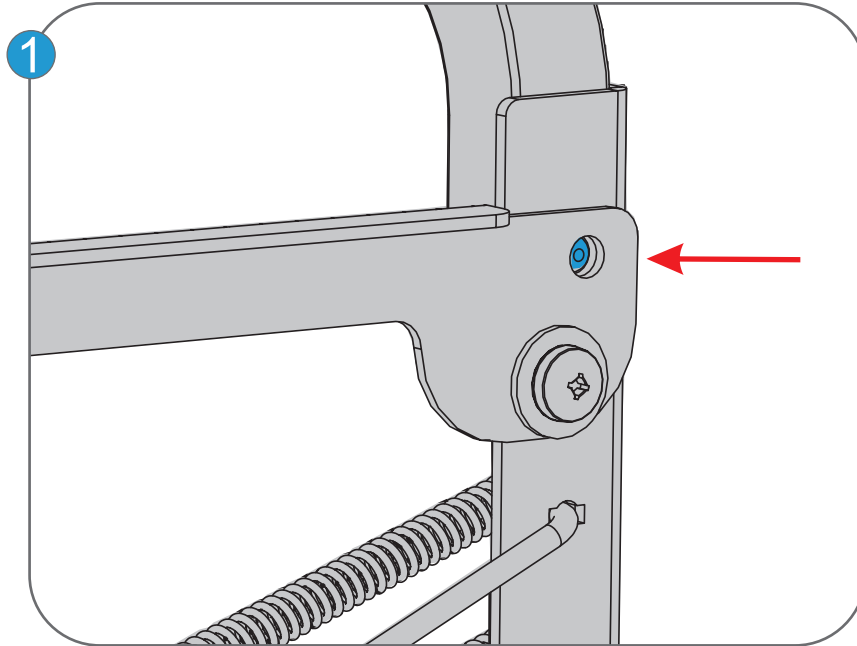
### Install Hold Down Bar



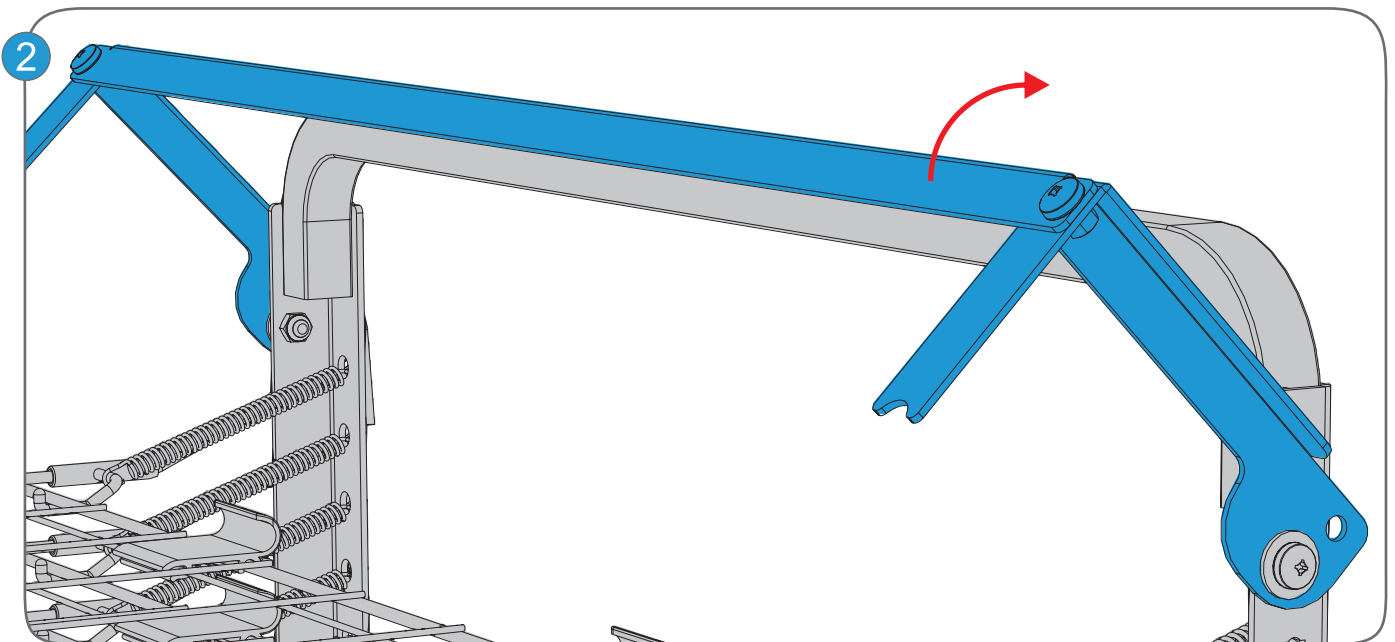
Assemble the Hold Down Bar on the right side of the unit first (Valco button)

You will need: (Not to Scale)

## Using Locking Bar



**!** To release the Locking Bar press the locking mechanism inwards and lift up, to lock the Locking Bar press down until you hear a click.





# Spring Loaded Drying Rack



## Assembly Guide PDR20KD\_2015\_B

Check out our other products online at  
[www.copernicused.com](http://www.copernicused.com)

For assistance, please contact us:

**1-800-267-8494**

Email [info@copernicused.com](mailto:info@copernicused.com)

**Have your packing slip ready for reference**

Dear Educator,

Thank you for purchasing one of our products. I hope that the Spring Loaded Drying Rack is useful in your classroom.

If you have any questions, concerns, or ideas please contact us by telephone at 1-800-267-8494 or email at [info@copernicused.com](mailto:info@copernicused.com).

Enjoy using your new product and happy teaching.

*Jim Phillips*  
Chief Cook and Bottle Washer

Quality schools are the  
result of quality teachers  
going above and beyond  
the call of duty.

VICKI CARUANA

In everyone's life at some  
time our inner fire goes  
out. It is then burst into  
flame by an encounter  
with another human  
being. We should all be  
thankful for those people  
who rekindle the inner  
spirit.

ALBERT SCHWEITZER

My idea of education is  
to unsettle the minds of  
the young and inflame  
their intellects.

ROBERT MAYNARD  
HUTCHINS

Nothing has a better  
effect upon children than  
praise.

SIR PHILLIP SIDNEY

