

Premium Royal[®] Inspiration Station



Assembly Guide IS3_2012_A

Check out our other products online at
www.copernicused.com

For assistance, please contact us:

1-800-267-8494

Email info@copernicused.com

Have your packing slip ready for reference

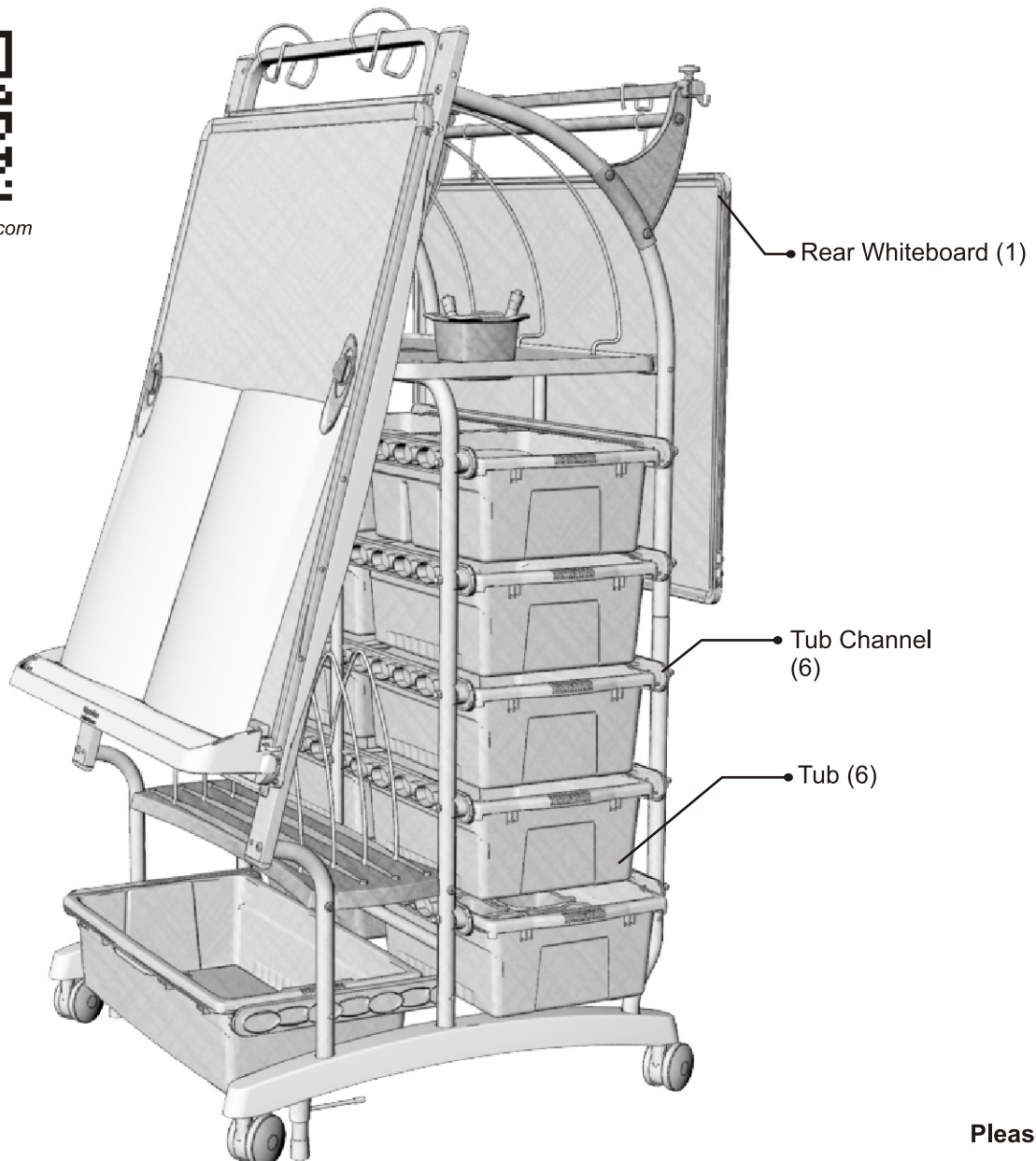
WARNING

- This product is meant to be assembled by an adult.
- In its unassembled state, small parts present a hazard.
- To be used under direct supervision of an adult.

*Check out some of our
other great products!*



www.copernicused.com

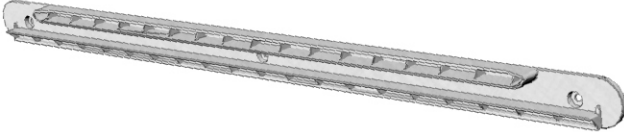





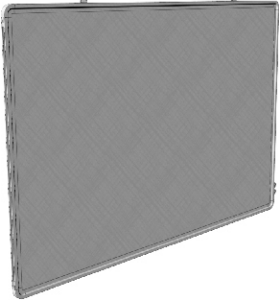
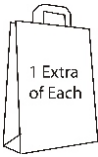



Please Recycle



Royal[®] Inspiration Station - Parts

Before beginning, you should have:

Contents - Box 1	Hardware
(numbers in brackets are individual part numbers)	Actual Size Bag = (43202)
Tub Channel 6x (23208)	In Box 1
	M6 x 19mm Bolt Bag of 18 (43219)
Open Tub 6x	
	M6 Barrel Nut Bag of 18 (43272)
Tiny Tub 6x	
	8mm Lock Washer Bag of 18 (43274)
Rear Whiteboard 1x	
	Bag of Extra Hardware 1x
	 1 Extra of Each
	Allen Key 2x (43281)
	

★ **Additional tools required: Adjustable wrench** 



Tips for Assembly - Using this Manual



2 Person

Watch for These Helpful Symbols

- This symbol denotes a 2 Person Task. For safety, please ensure that there are two people working on steps displaying this symbol



- Watch for this symbol throughout the Assembly Instructions. Wherever you see it, pay close attention. The symbol denotes a step needing extra attention to ensure it is done correctly.



- The Star symbol highlights an advisory note

Before You Begin



- Layout and identify all of the included parts
- The hardware has been packed according to size, separate them based on those sizes
- Read the assembly instructions over once to familiarize yourself with them
- Please note that in its unassembled state, this product contains parts that can be a hazard to small children; it should be assembled by an adult.

As You Assemble the Unit



- Follow the steps in sequence
- Before beginning each step, find the part(s) that you need for that step
- Pay attention to the labeling on the parts, they are there to help direct you at certain stages
- The title of each step states what you will be doing. Review the text and the pictures as you build the unit.

After Assembly; Before Use

- Remove the plastic film from the Whiteboard before writing on it

Don't forget to check out our tips for your whiteboard at:
www.copernicused.com

**Life
Time**

Frame
Warranty

**Life
Time**

Tub
Warranty

Validate Your Warranty On-Line

To validate your five year frame warranty & lifetime tub warranty, submit the ON-LINE form at
www.copernicused.com

“My idea of education is to unsettle the minds of the young and inflame their intellects.” - Robert Maynard Hutchins

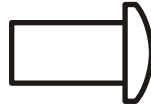


1

Actual Size:



19mm
x 18

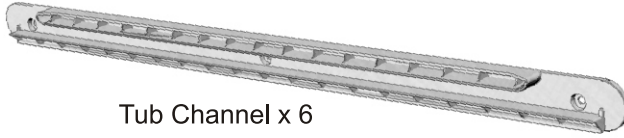


Barrel Nut
x 18



8mm
x 18

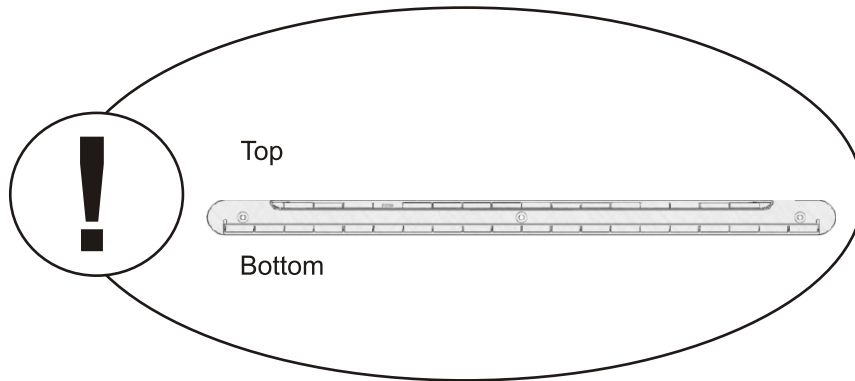
You will need: (Not to Scale)



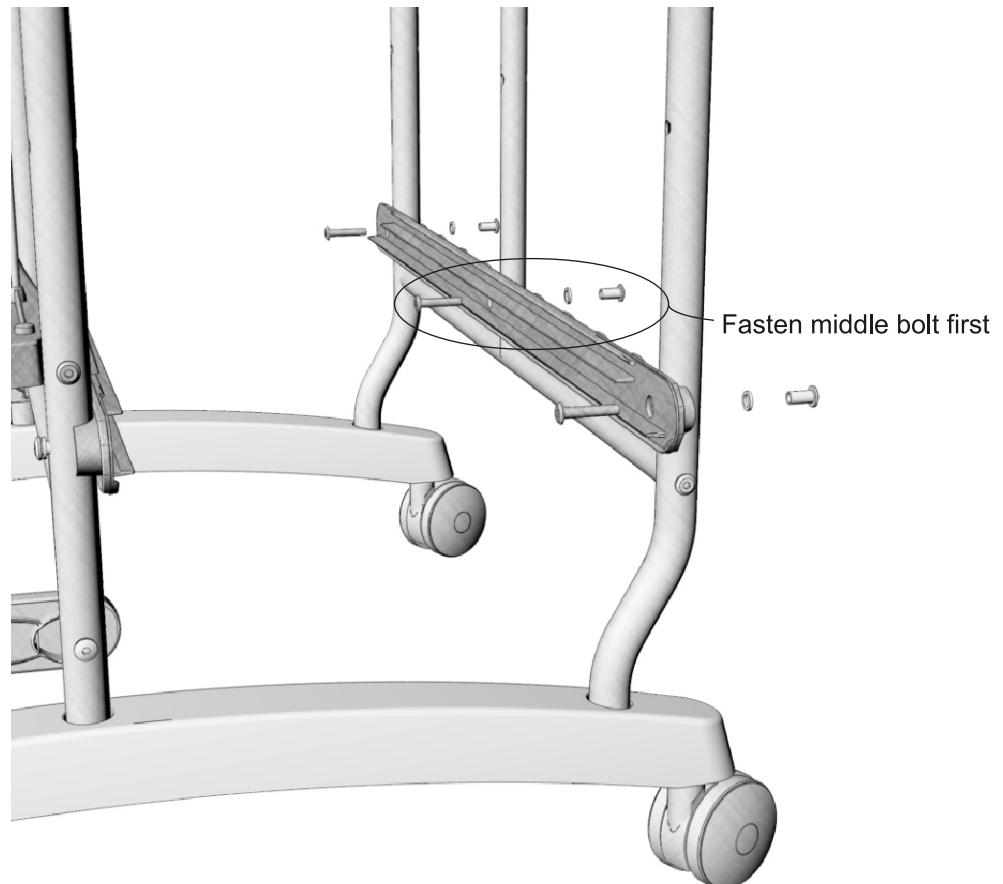
Tub Channel x 6

Install Tub Channels

! Identify the top and bottom of the Tub Channels



- Align the Tub Channels with the matching holes on the Rear and Middle Frame.
 - Fasten middle bolt first, this will make the other two bolts easier to install
 - Fasten with M6 20mm bolts, 8mm lock washers & barrel nuts
 - Tighten fasteners



You will need: (Not to Scale)



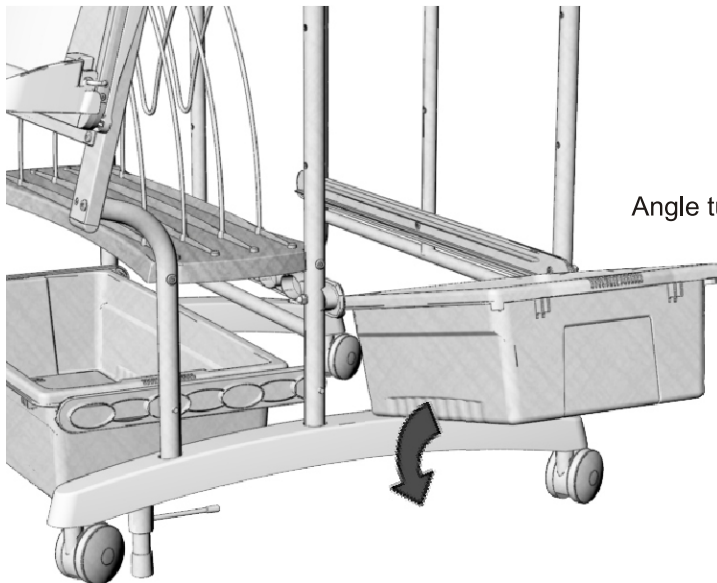
Open Tub x 6



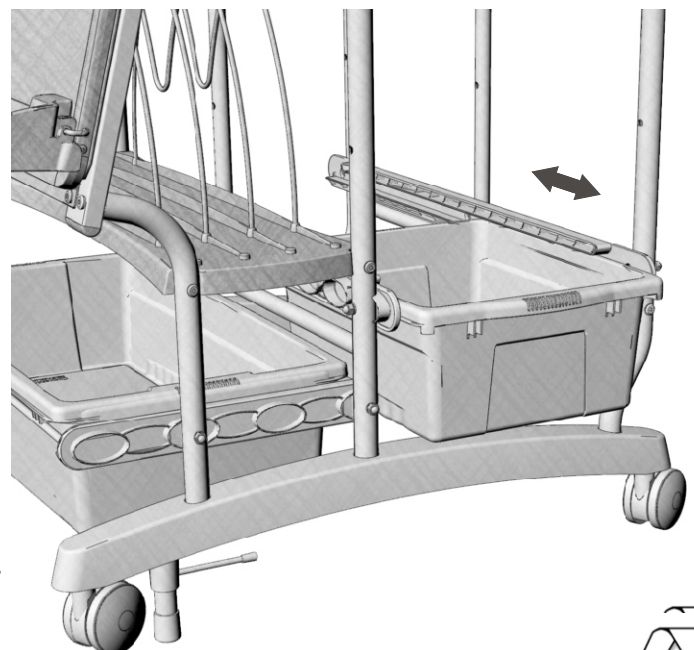
Tiny Tub x 6

Place Tubs onto Unit

- Angle the Tubs slightly when inserting into channel; rotate to fit over stop rib, then slide into place
- In position, the Tubs will slide smoothly in the Channels and be stopped from sliding out unintentionally.
- The six Tiny Tubs fit into one Open Tub.



Angle tub into the Channel



Tubs slide in the Channels



3

You will need: (Not to Scale)

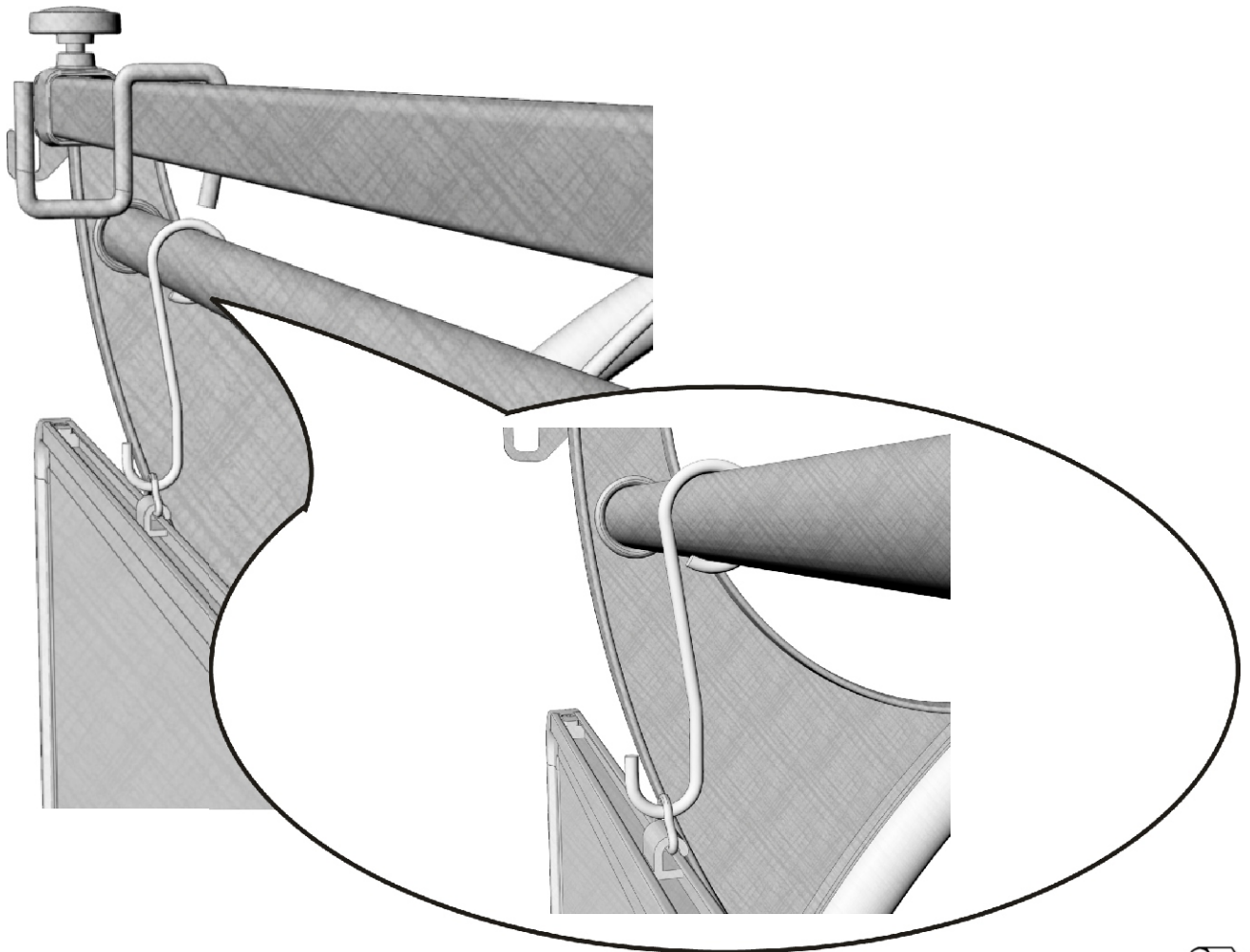


Rear Whiteboard x 1

Hang Rear Whiteboard

! Board may be hung vertically or horizontally

- Secure the hanging board to the Round Accessory Rod using the hooks as shown below.



Premium Royal[®] Inspiration Station



Assembly Guide IS3_2012_A

Check out our other products online at
www.copernicused.com

For assistance, please contact us:

1-800-267-8494

Email info@copernicused.com

Have your packing slip ready for reference

Dear Educator,

Thank you for purchasing one of our products.

I hope the assembly of your **Premium Royal Inspiration Station** went well.

If you have any questions, or concerns, or ideas for how we can improve, please call us at 1-800-267-8494, where someone will be happy to help.

Enjoy using your new product, and happy teaching,

Jim Phillips
President

Quality schools are the result of quality teachers going above and beyond the call of duty.

VICKI CARUANA

In everyone's life at some time our inner fire goes out. It is then burst into flame by an encounter with another human being. We should all be thankful for those people who rekindle the inner spirit.

ALBERT SCHWEITZER

My idea of education is to unsettle the minds of the young and inflame their intellects.

ROBERT MAYNARD
HUTCHINS

Nothing has a better effect upon children than praise.

SIR PHILLIP SIDNEY

