

TTE100
TTE101

Tabletop Easel - Assembly Guide

If parts are missing or you require assistance, please call:

1-800-267-8494 or email info@copernicused.com

Have your packing slip ready for reference



Tabletop Easel _TTE100_TTE101_2012_A

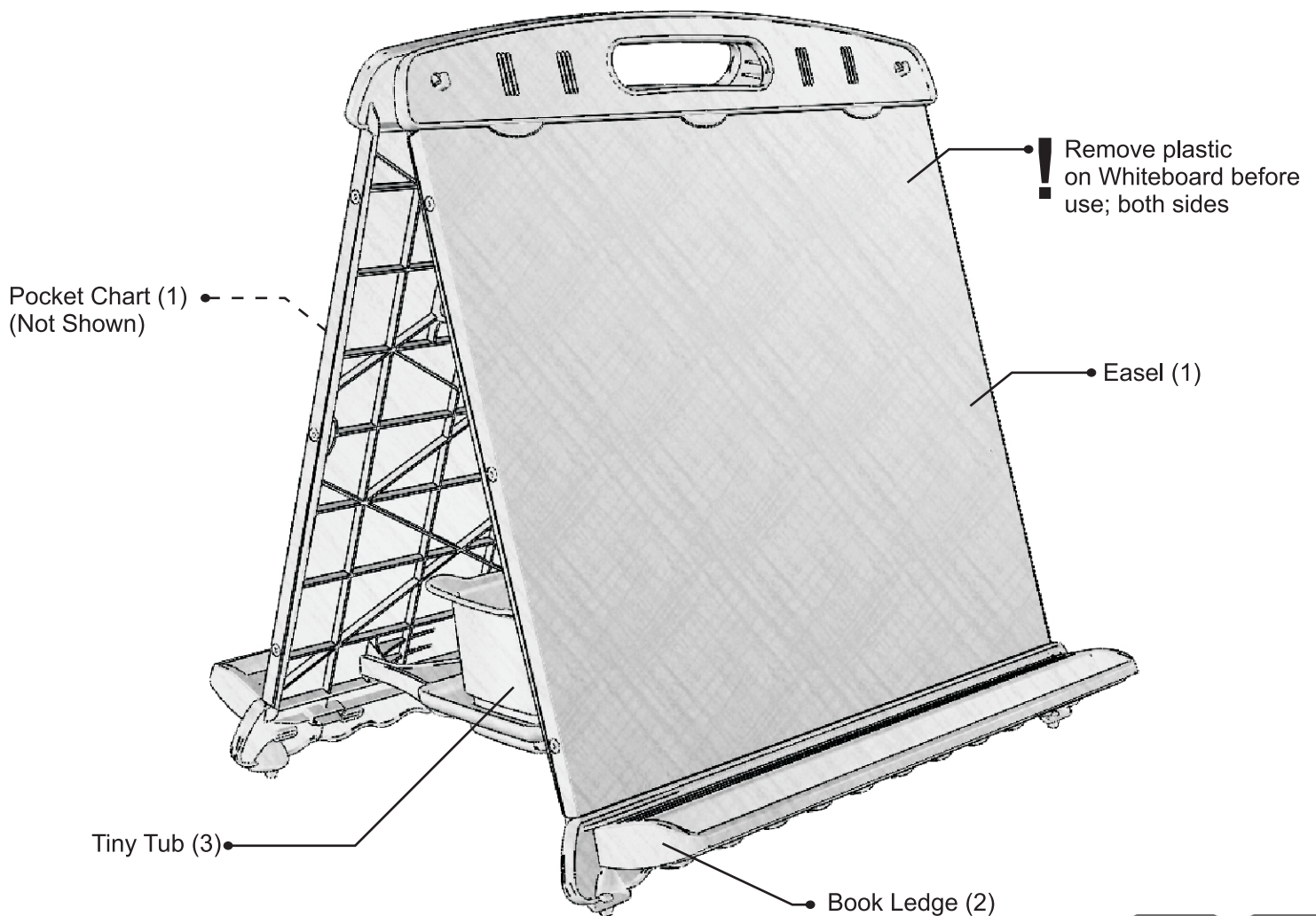
This assembly guide provides instructions to build the Tabletop Easel.

See how you can turn your easel into a Premium Classroom Crusier online at www.copernicused.com

This Product is meant to be assembled by an Adult.

WARNING In its unassembled state, small parts present a hazard.

This Product to be used under the direct supervision of an adult.



Please Recycle

**5
Year**
Frame
Warranty

**Life
Time**
Tub
Warranty

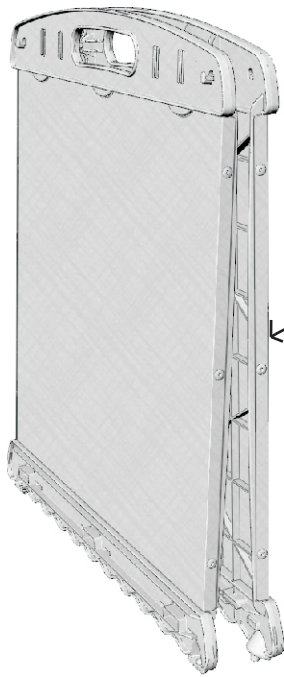
Tabletop Easel - *Parts*

Before beginning, you should have:

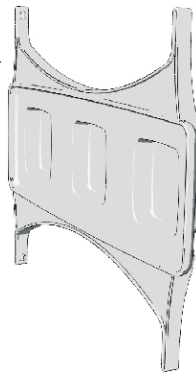
Contents - Box 1

(numbers in brackets are individual part numbers)

Easel
1x
(23215)



Inside Shelf
1x
(23217)



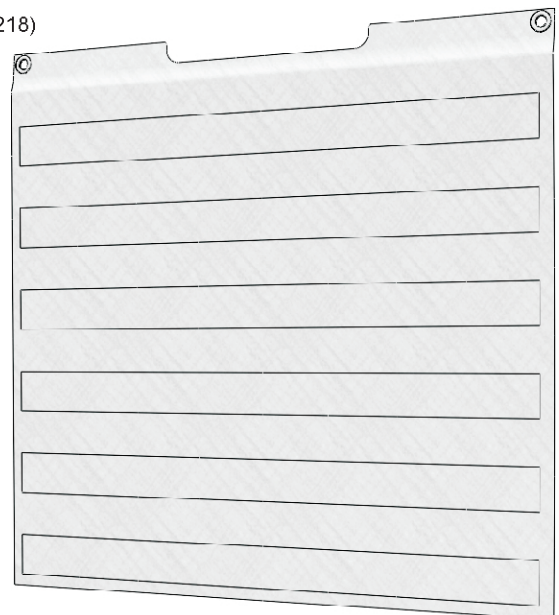
Tiny Tub
3x
(CC4072)



Book Ledge
2x
(23216)



Pocket Chart
1x
(23218)



1

You will need: (Not to Scale)



Easel x 1



Book Ledge x 2

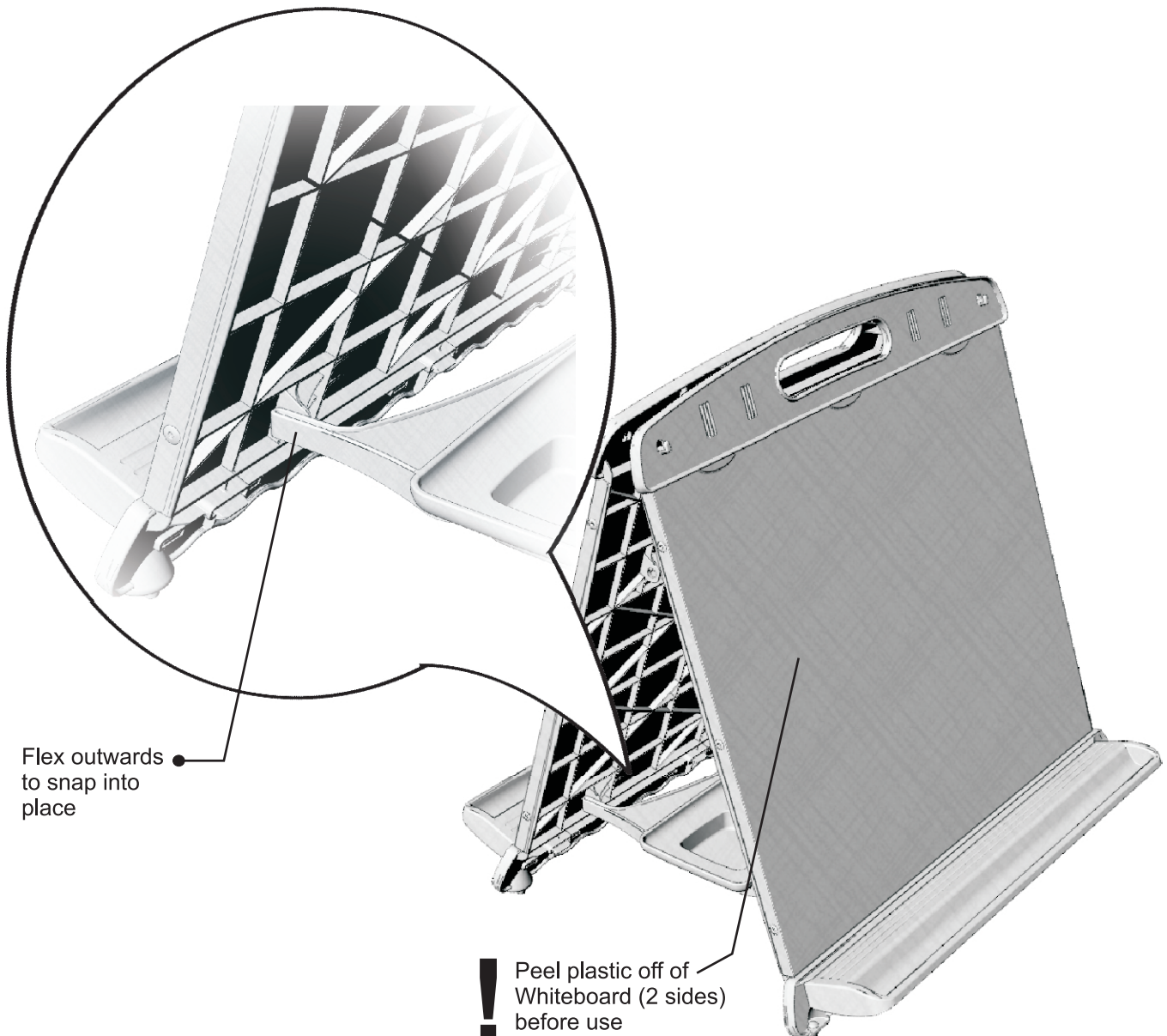
Attach Book Ledges

- Snap Book Ledge onto the Easel
 - Press Ledge firmly into slots within Easel
 - Once attached, Ledge is not meant to come off
- Repeat for other side



Open Easel & Fold Down Tray

- Unfold the easel until it is fully opened
- Release Tray & secure it to other side of easel
 - Pull/flex upper set of tabs on the tray to release it
 - Flex the tabs on the tray outwards and snap connectors into each aligning hole on the easel
- !● Peel plastic off of Whiteboard surface (both sides) before use.



3

You will need: (Not to Scale)



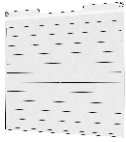
Tiny Tub x 3

Place Tiny Tubs in Tray

- Place Tiny Tubs onto the tray through the sides of the easel
- Tubs register into the tray



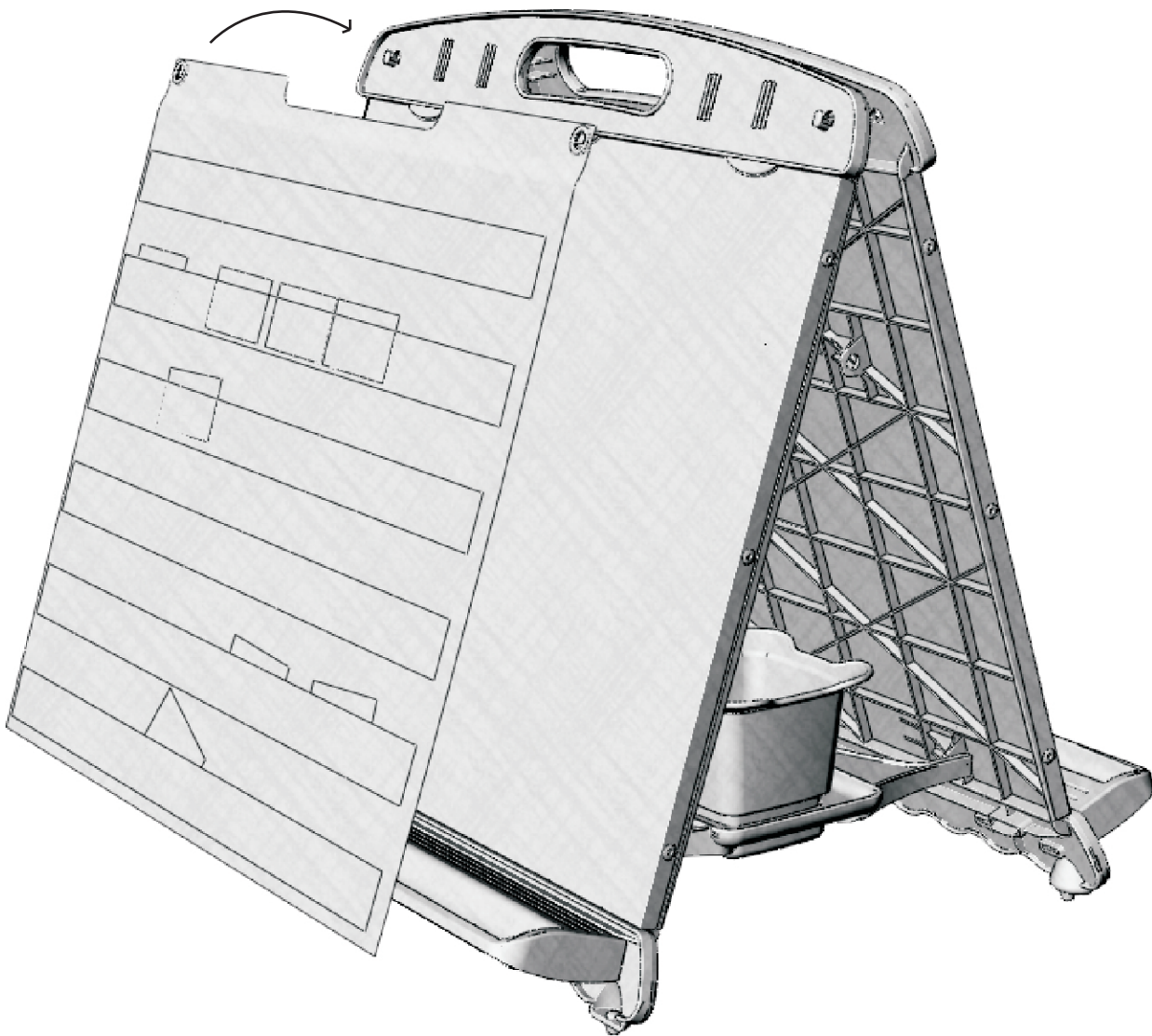
You will need: (Not to Scale)



Pocket Chart x 1

Attach Pocket Chart

- Attach the pocket chart to desired side of the easel
 - Grommets on the pocket chart fit onto hooks at the top of the easel





Validate Your Warranty On-Line



To validate your five year frame warranty & lifetime tub warranty, submit the ON-LINE form at www.copernicused.com

Dear Educator,

Thank you for purchasing one of our products.

I hope the assembly of your **Tabletop Easel** went well.

If you have any questions, or concerns, or ideas for how we can improve, please call us at 1-800-267-8494, where someone will be happy to help.

Enjoy using your new product, and happy teaching,

Jim Phillips
President

“The beautiful thing about learning is that no one can take it away from you.” - B. B. King

