

MADE IN SPAIN
Design by PRILUX



Applications



Monuments



Fairgrounds



Facades

Certifications



Historic buildings



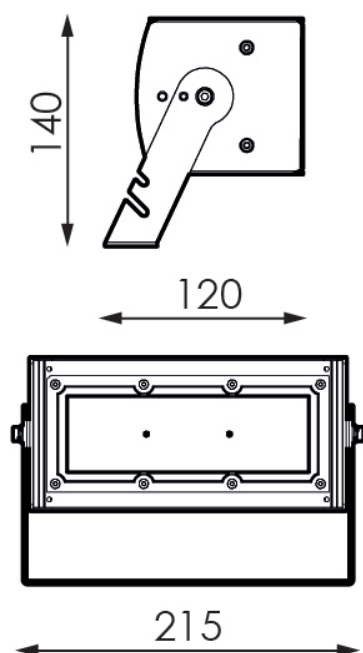
Cultural spaces

Specifications



Prilux guarantees a $\pm 10\%$ tolerance in light flux measurements.

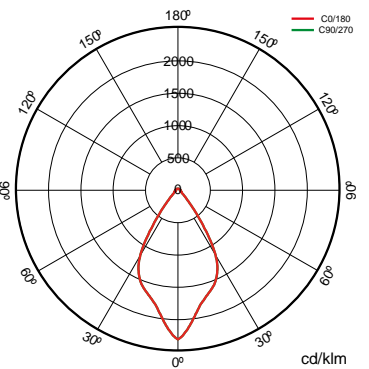
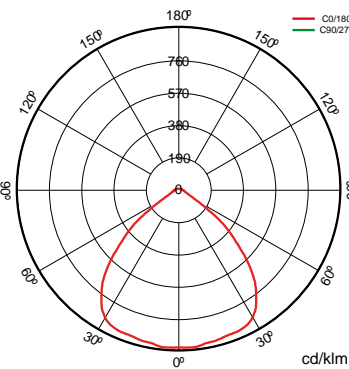
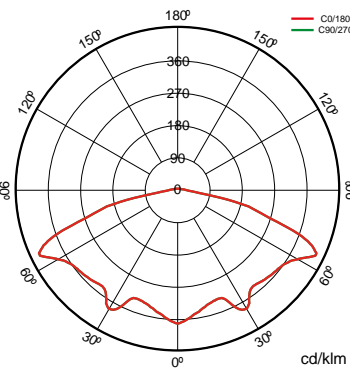
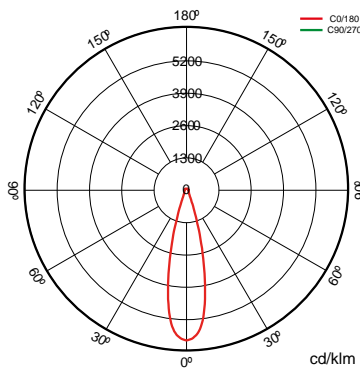
Dimensions



References



Photometry





Rules



INOX steel clip.