

PULSAR PLUS NORTH AMERICA

Technical Datasheet

General Specifications

Model	Pulsar Plus
Color	Matte Black
Cable length	25ft
Charging protocol	SAE J1772
Dimensions	7.8" x 7.9" x 3.9" (without cable)
Weight	4.4lbs (without cable)
Operating temperature	-22°F to 104°F
Storage temperature	-40°F to 158°F
Electrical safety	UL 2594, UL 2231
EMC compliance	FCC part 15 Class B, CAN ICES-003B / NMB-003B

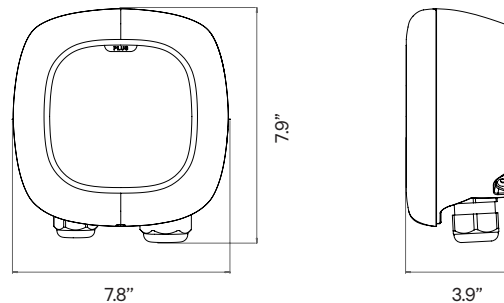
User Interface & Communications

Connectivity	Wi-Fi, Bluetooth
User identification	myWallbox App & Portal
User interface	myWallbox App & Portal
Charger status information	Halo RGB LED, myWallbox App & Portal
Included features	Power Sharing
Voice control	Works with Amazon Alexa and Google Home

Electrical Specifications

	40A Model	48A Model
Charging power	9.6kW	11.5kW
Rated current	40A	48A
Connection type	NEMA 14-50 or Hardwired	Hardwired
Rated voltage AC ± 10%	240/208 V (Level 2), 60Hz	
Connector type	SEA J1772 Type 1	
Configurable current	from 6A to rated current	
Environmental rating	Indoor and Outdoor Installations NEMA Type 4 per UL 50E	

Dimensions



Part Number Structure

A
B
C
E
F
G

Wallbox Chargers S.L.

SN: 123456 | UID: abcdefgh | 08/2020 | Made in Spain

PN: PUP1-U-1-5-N-002-X
 22°F to 104°F (-30°C to 40°C)

Enclosure Type 3R
 Input/Output:
 208/240VAC, 60Hz, 48A

	Code	Definition
A Model	PUP1	Pulsar Plus North America
B Cable	U	25ft
C EVC	1	Type 1
D Power	5 6	9.6kW 11.5kW
E Version	0 N C G	Hardwired Plug-In Version Hardwired + OCPP NEMA 14-50P + OCPP
F Custom	002	Matte Black
G Revision	X	Revision X