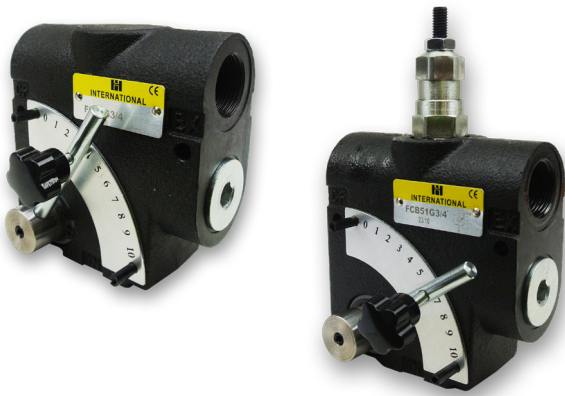


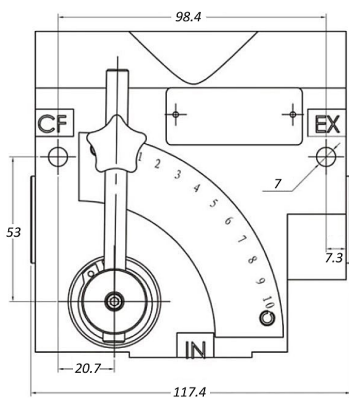
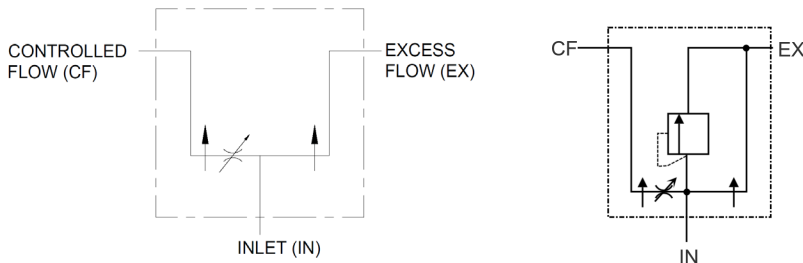
PRESSURE COMPENSATED FLOW CONTROL



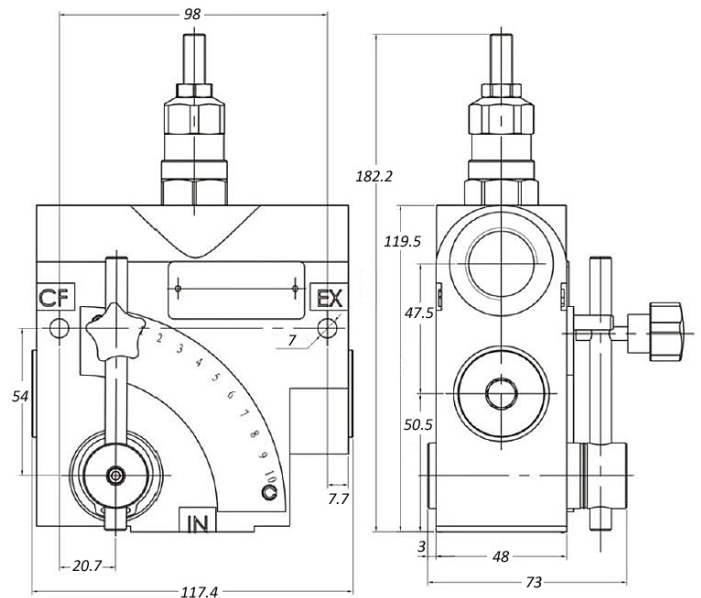
MODEL	FC51
MAX OPERATING PRESSURE	207 bar
MAX FLOW RATE	114 lpm
PORTS	3/8" BSPP
TORQUE TO TURN SIDE LEVER SPOOL	3.9 Nm with 20.7 MPa on EX Port
VALVE BODY (material surface treatment)	Casting phosphating surface
OIL CLEANLINESS	NAS1638 class 9 & ISO4406 class 20/18/15

Pressure compensating variable flow control valve with and without a spring relief valve.

Model	Size	Standard Flow Control	Thread Connection
FC	B	51	G3/8
	-		G1/2
	Relief Valve		3/8" BSPP
	No Relief		0-30 lpm
			1/2" BSPP
			0-61 lpm
			3/4" BSPP
			0-114 lpm



FC51



FCB51