

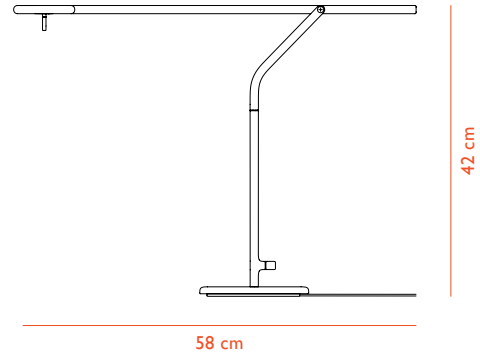
FLOW

EU Version



normann
COPENHAGEN

Flow Table Lamp - EU Version



DESCRIPTION

Flow is a modular LED table lamp with flexible positioning. The Flow table lamp has a simple and flowing design, in which all of the lamp's parts grow smoothly into each other, just like the branches on a tree. Flow is ideal as a work lamp in the home or in professional office environments, where the sculptural design provides optimum flexibility in lighting even large desks.

DESIGN

Andreas Kowalewski, 2016

MATERIAL

Powder Coated Metal

AWARDS

German Design Award Gold, 2018
IF Design Award 2018, Germany
Red Dot Award 2018, Germany

CONSTRUCTION

Flow is built up using four slim metal elements on a circular base. Smooth connections and a small handle with a permanently integrated energy-efficient LED light source with dispersion lens result in diverse dynamic movement possibilities. Brass dimmer on bottom element of construction.

MAINTENANCE

Clean with damp cloth. Avoid use of all-purpose cleaners and other detergents.

CORD

2m textile cord, matching color (white/black/dark green)

DIMMABLE FUNCTION

Yes, 4-steps touch dimmer.

VOLTAGE
220-240V

MAX LOAD
5 W

FREQUENCY
50/60 Hz

IP RATING
IP20

CLASSIFICATION
Class III

LED SOURCE - INCLUDED

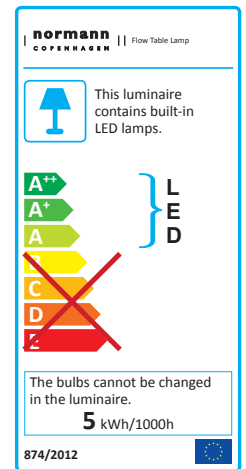
LED included: SMD2835
Power: 5,4 W
CCT: 3 000 K \pm 2000 K
Output: 350 lm
Lifetime: 30 000 h
CRI: ~ 80

LED DRIVER

PRI: 100-240V - 50/60 Hz
SEC: DC3-25V 350 mA
Load: 7 W (Max)

GENERAL STANDARD & CERTIFICATES

EN 60598-2-4: 1997
EN 60598-1: 2015
EN 62031: 2008+A1: 2013+A2: 2015 EN 62471: 2008
EN 62493: 2015



COLOR



White



Black



Dark Green

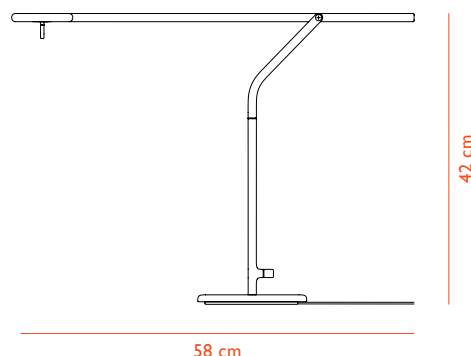
FLOW

US Version



normann
COPENHAGEN

Flow Table Lamp - US Version



DESCRIPTION

Flow is a modular LED table lamp with flexible positioning. The Flow table lamp has a simple and flowing design, in which all of the lamp's parts grow smoothly into each other, just like the branches on a tree. Flow is ideal as a work lamp in the home or in professional office environments, where the sculptural design provides optimum flexibility in lighting even large desks.

DESIGN

Andreas Kowalewski, 2016

MATERIAL

Powder Coated Metal

AWARDS

German Design Award Gold, 2018

IF Design Award 2018, Germany

Red Dot Award 2018, Germany

CONSTRUCTION

Flow is built up using four slim metal elements on a circular base. Smooth connections and a small handle with a permanently integrated energy-efficient LED light source with dispersion lens result in diverse dynamic movement possibilities. Brass dimmer on bottom element of construction.

MAINTENANCE

Clean with damp cloth. Avoid use of all-purpose cleaners and other detergents.

CORD

2m textile cord, matching color (white/black/dark green)

DIMMABLE FUNCTION

Yes, 4-steps touch dimmer.

VOLTAGE

120V

MAX LOAD

5W

FREQUENCY

60Hz

IP RATING

IP20

CLASSIFICATION

Class III

LED SOURCE - INCLUDED

LED included: SMD2835

Power: 5,4 W

CCT: 3 000 K \pm 2 000 K

Output: 350 lm

Lifetime: 30 000 h

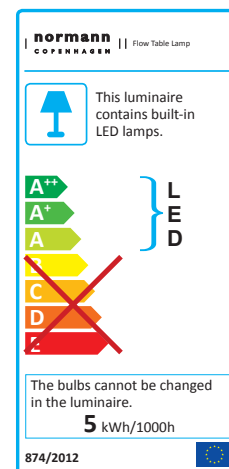
CRI: ~ 80

LED DRIVER

PRI: 100-240V - 50/60Hz

SEC: DC3-25V 350mA

Load: 7 W (Max)



COLOR

