

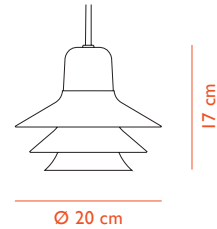
IKONO

EU Version



normann
COPENHAGEN

Ikono Lamp Small - EU Version



DESCRIPTION

The Ikono pendant lamp is based on the Danish lighting tradition, but the designer has stripped the design down to its essence and eliminated any unnecessary components and screws. This gives Ikono both a soft and graphic feel. The lamp is made up of a cone-shaped glass cylinder and twocolored steel shades in matching tones, which rest on the glass.

DESIGN

Simon Legald, 2013

MATERIAL

Glass / Powder Coated Steel

CONSTRUCTION

The Ikoni lamp combines a cone-shaped glass cylinder with two colored steel shades in matching tones which rest on the glass. The light is directed by the top shade while the lower shade ensures anti-dazzle.

MAINTENANCE

Clean with damp cloth. Avoid use of all-purpose cleaners and other degreasing detergents.

CORD

4 m textile cord, matching color (white/grey).

CANOPY

Included, black or white color, H: 7,7 x Ø: 9 cm 0,04 kg

DIMMABLE FUNCTION

Yes - with dimmable light source. Ensure your dimmer is compatible with LED.

VOLTAGE
220-240V

MAX LOAD
40 W

FREQUENCY
50/60 Hz

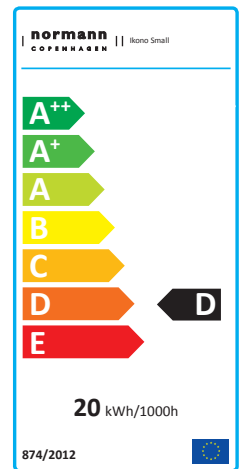
IP RATING
IP20

CLASSIFICATION
Class II

SOCKET
G9

LIGHT SOURCE - RECOMMENDED
G9 EU
Power: 8 W
CCT: 2700 K
Output: 800 lm
Life Span: 15 000 h
CRI: ~ 80

GENERAL STANDARD & CERTIFICATES
EN 60598-2-1:1989
EN 60598-1: 2008+A1: 2009



COLOR

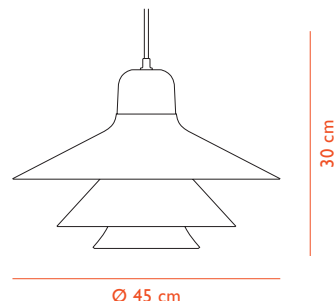


White



Grey

Ikono Lamp Large - EU Version



DESCRIPTION

The Ikono pendant lamp is based on the Danish lighting tradition, but the designer has stripped the design down to its essence and eliminated any unnecessary components and screws. This gives Ikono both a soft and graphic feel. The lamp is made up of a cone-shaped glass cylinder and twocolored steel shades in matching tones, which rest on the glass.

DESIGN

Simon Legald, 2013

MATERIAL

Glass / Powder Coated Steel

CONSTRUCTION

The Ikoni lamp combines a cone-shaped glass cylinder with two colored steel shades in matching tones which rest on the glass. The light is directed by the top shade while the lower shade ensures anti-dazzle.

MAINTENANCE

Clean with damp cloth. Avoid use of all-purpose cleaners and other degreasing detergents.

CORD

4 m textile cord, matching color (white/grey).

CANOPY

Included, white or black color, H: 7,7 x Ø: 9 cm 0,04 kg

DIMMABLE FUNCTION

Yes - with dimmable light source. Ensure your dimmer is compatible with LED.

VOLTAGE
220-240V

MAX LOAD
60 W

FREQUENCY
50/60 Hz

IP RATING
IP20

CLASSIFICATION
Class II

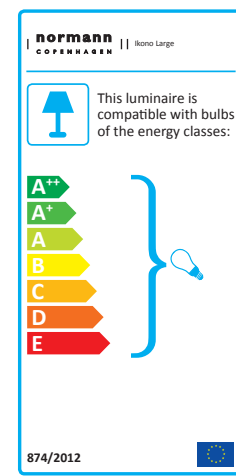
SOCKET
E27

LIGHT SOURCE - RECOMMENDED

Art. No.: 504052, LED E27 EU, not dimmable
Power: 8 W
CCT: 2700 K
Output: 800 lm
Life Span: 15 000 h
CRI: ~ 80

GENERAL STANDARD & CERTIFICATES

EN 60598-2-1:1989
EN 60598-1: 2008+A1: 2009



COLOR



White



Grey

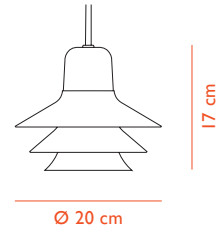
IKONO

US Version



normann
COPENHAGEN

Ikono Lamp Small - US Version



DESCRIPTION

The Ikono pendant lamp is based on the Danish lighting tradition, but the designer has stripped the design down to its essence and eliminated any unnecessary components and screws. This gives Ikono both a soft and graphic feel. The lamp is made up of a cone-shaped glass cylinder and twocolored steel shades in matching tones, which rest on the glass.

DESIGN

Simon Legald, 2013

MATERIAL

Glass / Powder Coated Steel

CONSTRUCTION

The Ikoni lamp combines a cone-shaped glass cylinder with two colored steel shades in matching tones which rest on the glass. The light is directed by the top shade while the lower shade ensures anti-dazzle.

MAINTENANCE

Clean with damp cloth. Avoid use of all-purpose cleaners and other degreasing detergents.

CORD

4 m textile cord, matching color (white/grey).

CANOPY

Included, black or white color, H: 7,7 x Ø: 9 cm 0,04 kg

DIMMABLE FUNCTION

Yes - with dimmable light source. Ensure your dimmer is compatible with LED.

VOLTAGE

120 V

MAX LOAD

40 W

FREQUENCY

60 Hz

IP RATING

IP20

CLASSIFICATION

Class I

SOCKET

G9

LIGHT SOURCE - RECOMMENDED

G9 US

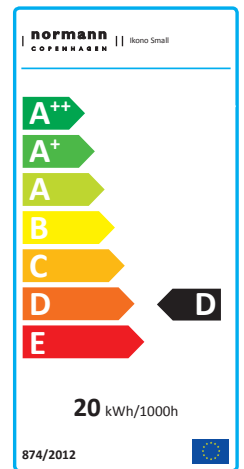
Power: 8 W

CCT: 2700 K

Output: 800 lm

Life Span: 15 000 h

CRI: ~ 80



COLOR

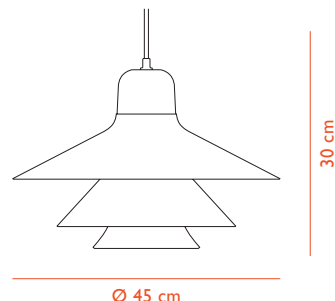


White



Grey

Ikono Lamp Large - US Version



DESCRIPTION

The Ikono pendant lamp is based on the Danish lighting tradition, but the designer has stripped the design down to its essence and eliminated any unnecessary components and screws. This gives Ikono both a soft and graphic feel. The lamp is made up of a cone-shaped glass cylinder and twocolored steel shades in matching tones, which rest on the glass.

DESIGN

Simon Legald, 2013

MATERIAL

Glass / Powder Coated Steel

CONSTRUCTION

The Ikoni lamp combines a cone-shaped glass cylinder with two colored steel shades in matching tones which rest on the glass. The light is directed by the top shade while the lower shade ensures anti-dazzle.

MAINTENANCE

Clean with damp cloth. Avoid use of all-purpose cleaners and other degreasing detergents.

CORD

4 m textile cord, matching color (white/grey).

CANOPY

Included, white or black color, H: 7,7 x Ø: 9 cm 0,04 kg

DIMMABLE FUNCTION

Yes - with dimmable light source. Ensure your dimmer is compatible with LED.

VOLTAGE

120V

MAX LOAD

60W

FREQUENCY

60Hz

IP RATING

IP20

CLASSIFICATION

Class I

SOCKET

E26

LIGHT SOURCE - RECOMMENDED

Art. No.: 504062 , LED E26 US, not dimmable

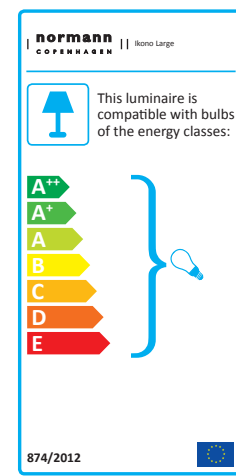
Power: 8W

CCT: 2700K

Output: 800lm

Life Span: 15 000 h

CRI: ~80



COLOR



White



Grey