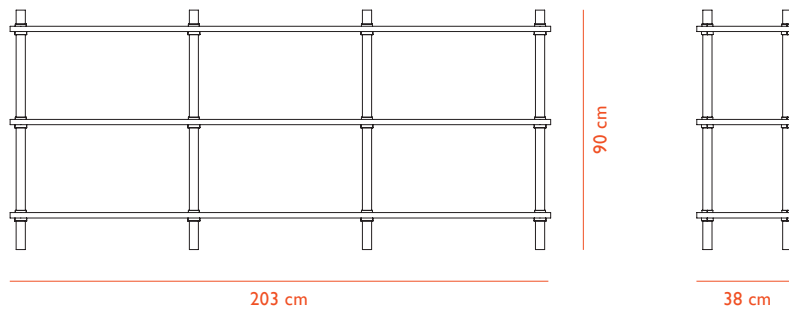
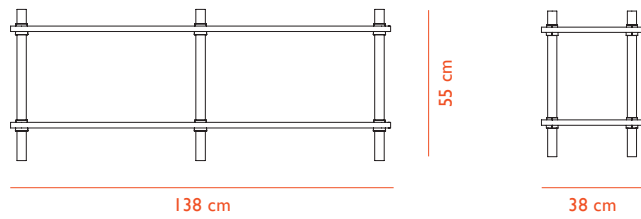


JAM



Composed of just three different elements, the Jam bookcase is a cleverly and elegantly executed design. The defining element is a wedge, which allows the shelf to be assembled without the use of screws or tools. The shelves are simply jammed down over the wedges and then gravity and friction take care of the rest. With its purity and materiality, Jam crafts a calm and cozy feeling.

Jam



DESCRIPTION

The Jam bookcase has a clever design composed of just three different elements. Using the friction of a specially designed wedge, the bookcase can be assembled without the use of screws or tools. Softly rounded corners unify the visual expression and give the bookcase a friendly appearance.

DESIGN

Rudolph Schelling Webermann, 2018

MATERIAL

Poles: Solid Lacquered Oak
Shelves: MDF with Oak Veneer
Wedges: Polypropylene

CONSTRUCTION

Jam bookcase consists of poles in solid oak, shelves in chipboard with oak veneer and wedges in polypropylene. Jam bookcase is delivered with grey wedges. Blue wedges are available upon request. Comes flat packed. Assembly manual included.

COLOR

