

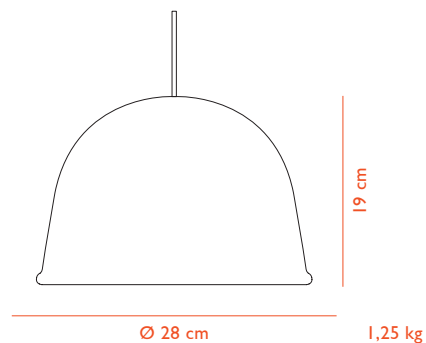
LOCAL

EU Version



normann
COPENHAGEN

Local Lamp EU Version



DESCRIPTION

The Local lamp has grown out of the mood in simple bars and relaxed restaurants, where pools of light beneath suspended lampshades create atmospheric social spots. With this ambience as his point of departure, the designer has created an understated pendant lamp with a simple and welcoming silhouette.

DESIGN

Jonas Wagell, 2018

MATERIAL

Powder Coated Steel

CONSTRUCTION

The Local lamp is made with a suspended spun steel shade reinforced with a metal fold at the edge.

MAINTENANCE

Clean with damp cloth. Avoid use of all-purpose cleaners and other degreasing detergents.

CORD

4 m textile cord, matching color (white/grey/black/elm green).

CANOPY

Included, white or black color, H: 7,7 x Ø: 9 cm 0,04 kg

DIMMABLE FUNCTION

Yes - with dimmable light source. Ensure your dimmer is compatible with LED.

VOLTAGE

220-240V

FREQUENCY

50/60 Hz

IP RATING

IP20

CLASSIFICATION

Class II

SOCKET

E27

LIGHT SOURCE - RECOMMENDED

Art. No.: 504053, LED E27 EU, not dimmable

Power: 8 W

CCT: 2700 K

Output: 800 lm

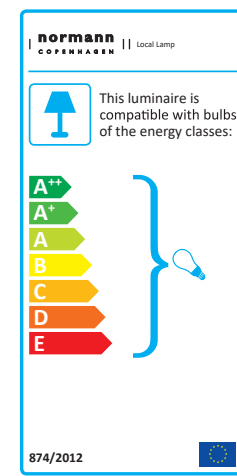
Life Span: 15 000 h

CRI: ~80

GENERAL STANDARD & CERTIFICATES

EN 60598-2-1:1989

EN 62493:2015



COLOR



White



Grey



Black



Elm
Green