

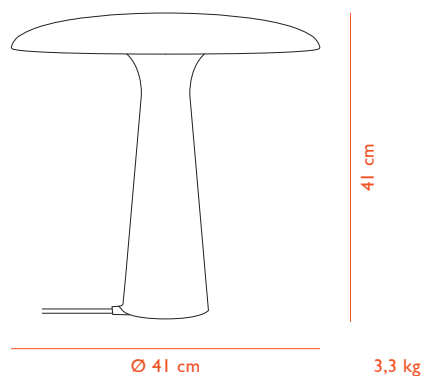
SHELTER

EU Version



normann
COPENHAGEN

Shelter Table Lamp - EU Version



DESCRIPTION

Shelter is a simple, characterful lamp that emits a cozy light onto its surroundings. The white inner side of the shade provides a reflective effect while its wide, curved shape goes to direct the light making it pleasant and anti-dazzling.

DESIGN

HolmbäckNordentoft, 2013

MATERIAL

Powder Coated Steel

CONSTRUCTION

Shelter is built up with a shade that rests on a three-armed steel construction on the base. The cable comes out smoothly through a shape detail of the base.

MAINTENANCE

Clean with damp cloth. Avoid use of all-purpose cleaners and other degreasing detergents.

CORD

2 m textile cord with switch, matching color (white / black / limestone).

DIMMABLE FUNCTION

No.

VOLTAGE

220-240V

FREQUENCY

50/60 Hz

IP RATING

IP20

CLASSIFICATION

Class II

SOCKET

E27

LIGHT SOURCE - RECOMMENDED

Art. No.: 504052, LED E27 EU, not dimmable

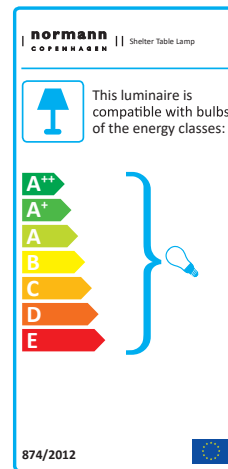
Power: 8 W

CCT: 2700 K

Output: 800 lm

Life Span: 15 000 h

CRI: ~ 80



GENERAL STANDARD & CERTIFICATES

EN 60598-1: 2008 +A11:2009

EN 60598-2-4: 1997

COLOR



White



Black



Limestone