



NINJA

SUPPORTS

Made in Great Britain



Specialist Supports for Pipework

Slide Guides



Anchor and
Fixed Points



Skids

www.NinjaSprings.com

Project References



Ninja springs offer a range of trusted quality products, having been used in the construction of many prestigious projects including:

**Evertons' Premier League
Football Stadium,**
52,888 seat capacity
Est. cost of £1.3bn



Google London HQ,
Kings Cross
A massive 990,000 sq ft
Est. cost of >£1bn

**Midlands Metropolitan
Hospital, Birmingham.**
Brand new state of the art
new hospital

- 670 beds
- 10 stories
- 80,000sqm



Innovation:

Ninja Springs have the engineering knowledge and experience to design, validate and manufacture all types of bespoke products and supports.

Quality:

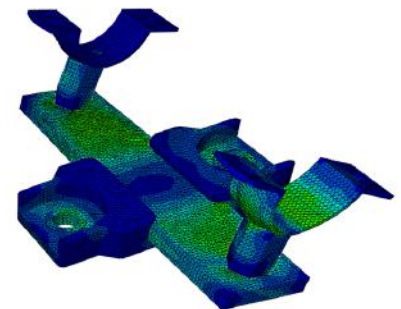
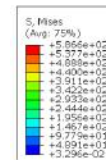
Designed and tested for the challenging applications.

Manufacturing:

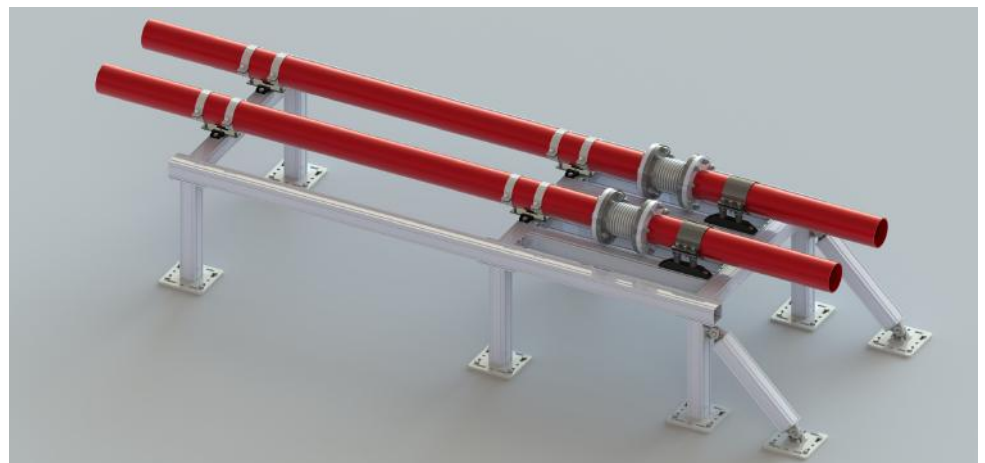
Utilising the very latest in precision production machinery, creating high quality products in the UK.

3D models:

All products are available as 3D models for easy inclusion into Revit and other construction design software's.



Did you know, Ninja springs have over 20 Protected Product Designs (IPO Office)



The LW Range



Innovative Support Designs:

Ninja supports have great pleasure in introducing the LW Range. A complete pipe support system for Primary guidance, Intermediate guides and Anchorage.

Expertly deigned for challenging installs with expansion joints



LWPG - Guides



Strong and Secure:

- Fits securely to Strut Type Rails
- Ideal for for close pipe centres
- Easy to install

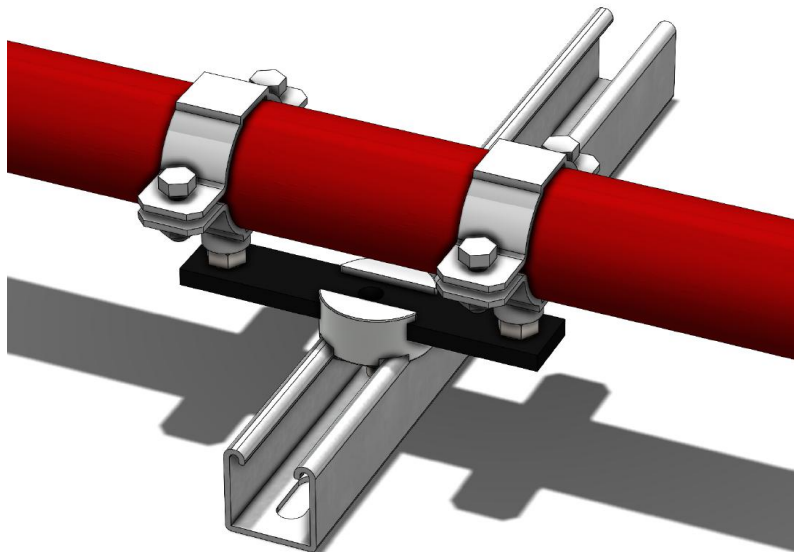


LWFA - Anchors



Perfect compact solution for
modular and **pre-fabrication**

Strut Mounted Slide Guide Support M10



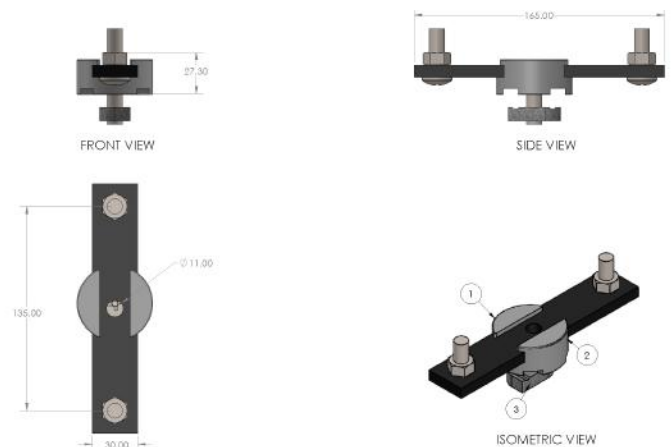
Product Description

Designed to allow free axial movement of pipe while restricting lateral or vertical movement. These are purposely designed for the challenging application such as primary guides for expansion joints.

These can be floor or ceiling mounted and are suitable for connections to strut profiles.

Design Features

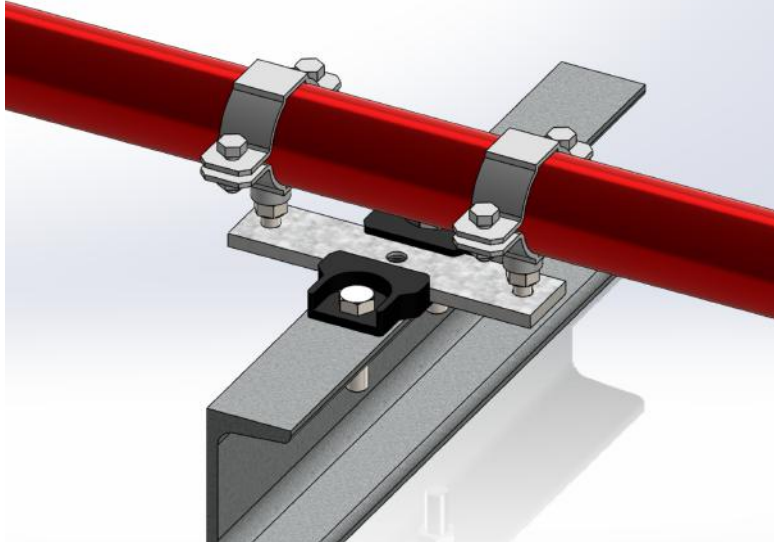
- Double M10 Connections to pipe clips
- Electro Painted and Zinc plated finish
- Low Friction Slide Insert
- Not supplied with Clips



Part Number	Connection	Maximum Travel	Load Vertical (Hung)	Load Vertical (Sat)	Load Lateral
NS-LWPG-M10	2x M10	70mm	5kN	5kN	2.5kN
NS-LWPG-ZN-M10	2x M10	70mm	5kN	5kN	2.5kN

Please note this document can be subject to alteration without notification. Issue 12.04.23

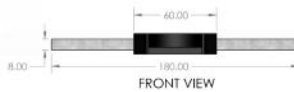
Slide Guide Support M10/M12



Product Description

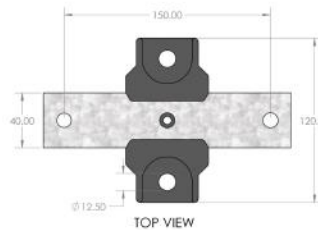
Designed to allow free axial movement of pipe while restricting lateral or vertical movement. These are purposely designed for the challenging application such as primary guides for expansion joints.

These can be floor or ceiling mounted and are suitable for connections to Unistrut.



Design Features

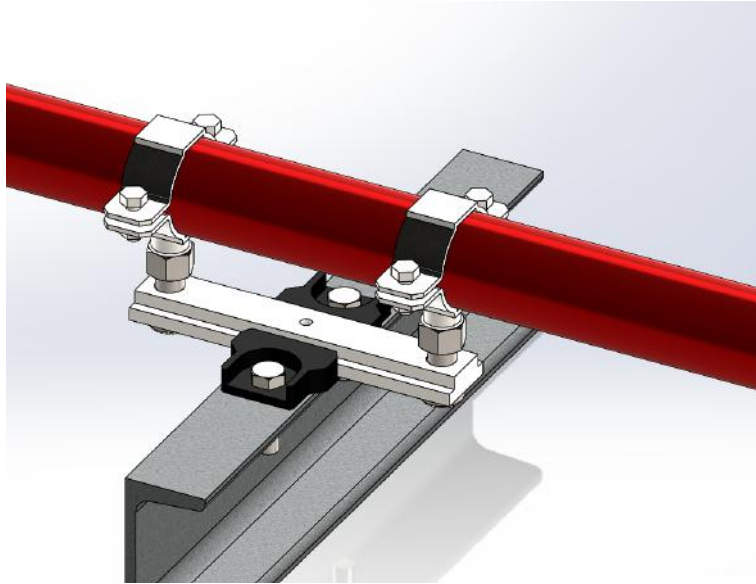
- 2 Fixings Holes for M12
- M10/M12 Connections to pipe clips
- M10 can be Single or Double Connection
- Electro Painted / Zinc Nickel Finish
- Low Friction Slide Insert
- Not supplied with Clips



Part Number	Connection	Maximum Travel	Load Vertical (Hung)	Load Vertical (Sat)	Load Lateral
NS-SLG-M10	1 or 2x M10	70mm	5kN	5kN	2.5kN
NS-SLG-M12	2x M12	70mm	5kN	5kN	2.5kN
NS-SLG-ZN-M10	2x M10	70mm	5kN	5kN	2.5kN
NS-SLG-ZN-M12	2x M12	70mm	5kN	5kN	2.5kN

Please note this document can be subject to alteration without notification. Issue 12.04.23

Slide Guide Support M16

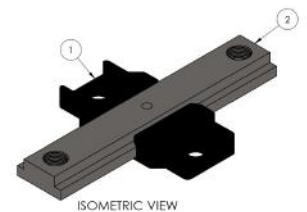
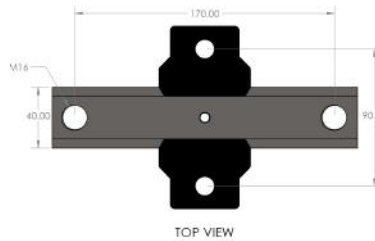


Product Description

Designed to allow free axial movement of pipe while restricting lateral or vertical movement. These are purposely designed for the challenging application such as primary guides for expansion joints. These can be floor, wall or ceiling mounted.

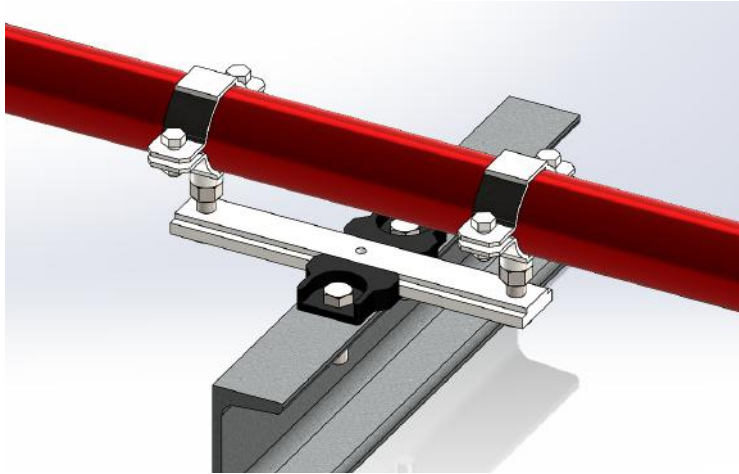
Design Features

- 2 Fixings Holes for M12
- M16 Connections to pipe clips
- Electro Painted & Zinc Nickel Finish
- Low Friction Slide Insert
- Not supplied with Clips



Part Number	Connection	Maximum Travel	Load Vertical (Hung)	Load Vertical (Sat)	Load Lateral
NS-SLG-M16	2x M16	70mm	10kN	15kN	3.5kN
NS-SLG-ZN-M16	2x M16	70mm	10kN	15kN	3.5kN

Extra Movement Slide Guide M10/M12



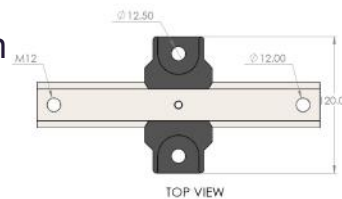
Product Description

Designed to allow free axial movement of pipe while restricting lateral or vertical movement. These are purposely designed for the challenging application such as primary guides for expansion joints.

These can be floor or ceiling mounted and are suitable for connections to Unistrut.

Design Features

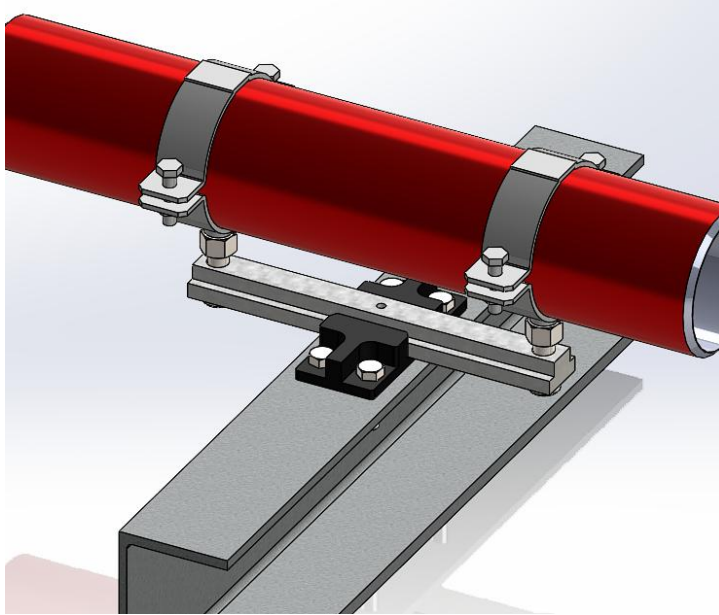
- 2 Fixings Holes for M12
- M10/M12 Connections to pipe clips
- M10 can be Single or Double Connection
- Electro Painted / Zinc Nickel Finish
- Low Friction Slide Insert
- Not supplied with Clips



Part Number	Connection	Maximum Travel	Load Vertical (Hung)	Load Vertical (Sat)	Load Lateral
NS-SLG-XM-M10	2x M10	150mm	5kN	5kN	2.5kN
NS-SLG-XM-M12	2x M12	150mm	5kN	5kN	2.5kN
NS-SLG-ZN-XM-M10	2x M10	150mm	5kN	5kN	2.5kN
NS-SLG-ZN-XM-M12	2x M12	150mm	5kN	5kN	2.5kN

Please note this document can be subject to alteration without notification. Issue 12.04.23

Extra Movement Slide Guide Support M16



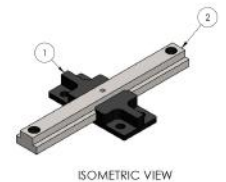
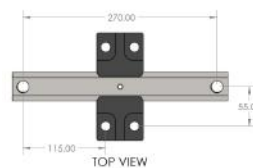
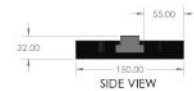
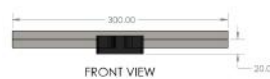
Product Description

Designed to allow free axial movement of pipe while restricting lateral or vertical movement. These are purposely designed for the challenging application such as primary guides for expansion joints.

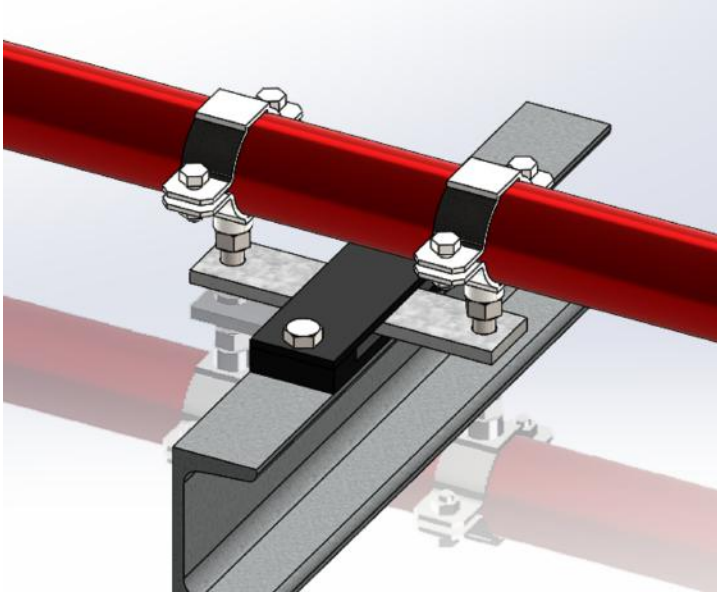
These can be floor, wall or ceiling mounted.

Design Features

- 4 Fixings Holes for M12
- M16 Connections to pipe clips
- Electro Painted, BZP or Zinc Nickel Finish
- Low Friction Slide Insert
- Not supplied with Clips



Part Number	Connection	Maximum Travel	Load Vertical (Hung)	Load Vertical (Sat)	Load Lateral
NS-SLG-XM-M16	2x M16	150mm	15kN	15kN	5kN
NS-SLG-ZN-XM-M16	2x M16	150mm	15kN	15kN	5kN

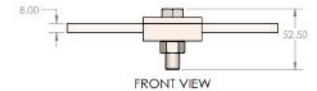
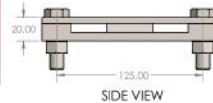


Product Description

Designed to allow free axial and lateral movement of pipe while restricting vertical lifting movement.

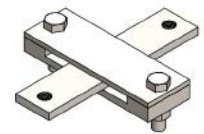
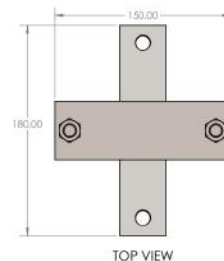
These are purposely designed for the challenging application where the pipe is moving in multiple directions like offsets or pipe loops.

These can be floor or ceiling mounted and are suitable for connections to Unistrut.



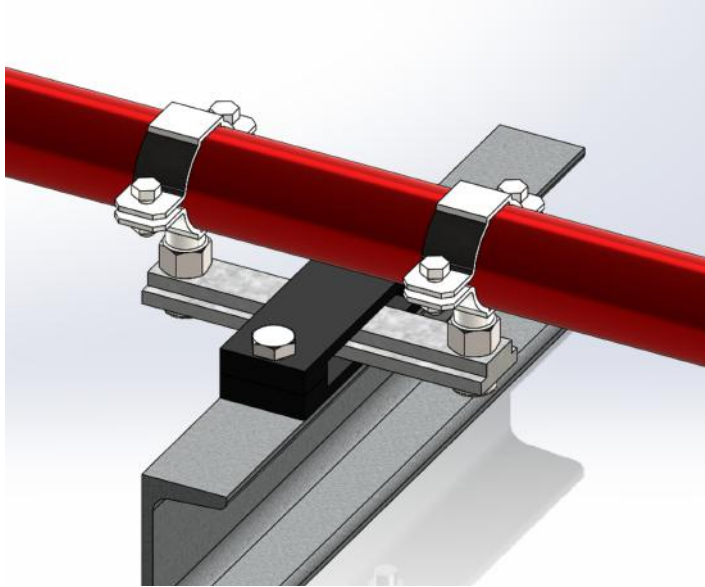
Design Features

- 2 Fixings Holes for M12
- Double M10/M12 Connections to pipe clips
- Electro Painted, BZP or Zinc Nickel Finish
- Low Friction Slide Insert
- Not supplied with Clips
- Movement is +/- 25mm in all directions



ISOMETRIC VIEW

Part Number	Connection	Bi-lateral movem	Max Temperature	Load Vertical Hung	Load Vertical Hung
NS-SKD-M10	2x M10	+/-25mm	200	5kN	10kN
NS-SKD-M12	2x M12	+/-25mm	200	9kN	10kN
NS-SKD-ZN-M10	2x M10	+/-25mm	200	5kN	10kN
NS-SKD-ZN-M12	2x M12	+/-25mm	200	9kN	10kN



Product Description

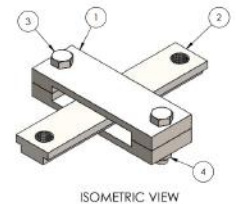
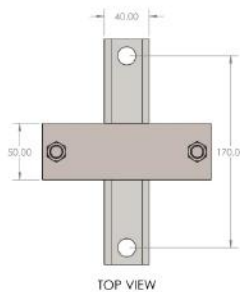
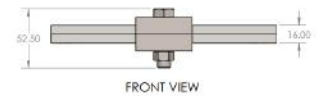
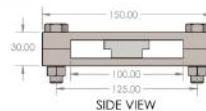
Designed to allow free axial and lateral movement of pipe while restricting vertical lifting movement.

These are purposely designed for the challenging application where the pipe is moving in multiple directions like offsets or pipe loops.

These can be floor or ceiling mounted and are suitable for connections to Unistrut.

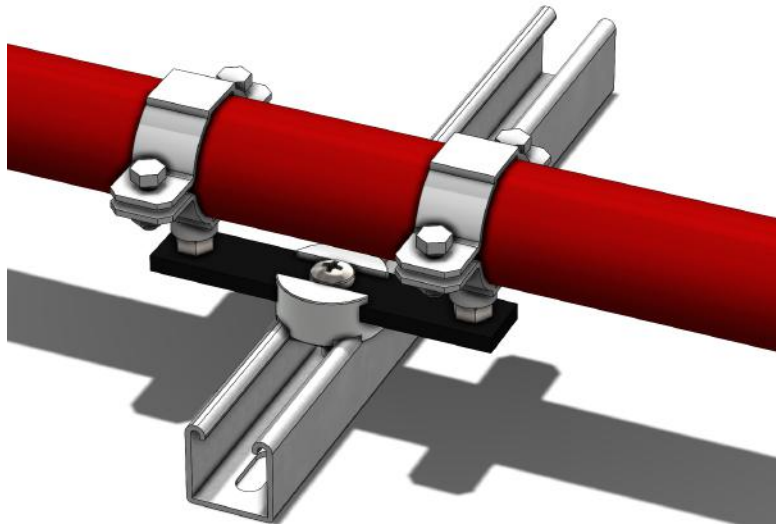
Design Features

- 2 Fixings Holes with M12 Bolts
- Double M16 Connections to pipe clips
- Electro Painted, BZP or Zinc Nickel Finish
- Low Friction Slide Insert
- Not supplied with Clips
- Movement is +/- 25mm in all directions



Part Number	Connection	Bi-lateral movem	Max Temperature	Load Vertical (Hung)	Load Vertical (Sat)
NS-SKD-M16	2x M16	+/-25mm	200	10kN	15kN
NS-SKD-ZN-M16	2x M16	+/-25mm	200	10kN	15kN

Strut Mounted Fixed Point Anchor M10



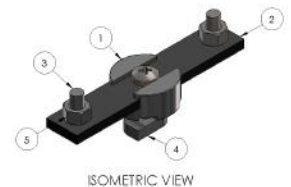
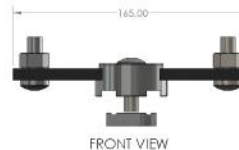
Product Description

Designed to stop axial, lateral and vertical movement of pipe.

These can be floor or ceiling mounted and are suitable for connections to Strut profiles.

Design Features

- Double M10 Connections to pipe clips
- Electro Painted, Zinc or Zinc Nickel Finish
- Specially designed for use on strut profiles
- Not supplied with Clips



Part Number	Connection	MAX Temp.	LOAD - Axial	LOAD - Vertical	LOAD - Lateral
NS-LWFA-M10	2x M10	200	2.5kN	2.5kN	2.5kN
NS-LWFA-ZN-M10	2x M10	200	2.5kN	2.5kN	2.5kN

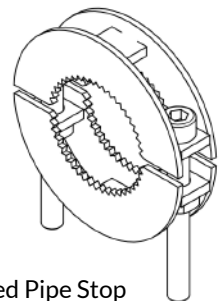
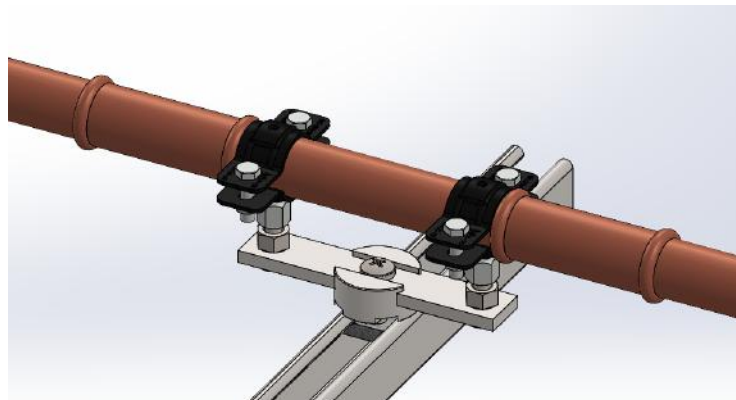
Installation instructions see page 12

LWFA - Installation Instructions

These are Anchor Points, designed to rigidly fix pipework.

This is an Anchor Point, designed to rigidly fix pipework. The LWFA is perfectly designed to clamp onto 41mm Strut Profiles. Recommended profile is 41x41x2.5mm

1. Ensure the "Strut" you are connecting to is suitably fixed to the building. Ideal connections include,
 - Minimum 2 concrete screws (+1 addition for each unit) screws should not be more than 250mm from the LWFA
 - Hat Brackets when connection to existing frames, (Strut frames should be designed by a suitably qualified Engineer)
 - Hanging Rod and suspension methods are not acceptable.
2. Place the LWFA onto the Strut Rail, Rotate the central Locking Bolt until the Channel nut is correctly located
3. Tighten Locking Bolt with a torque setting of 40 Nm
4. Clips are not provided as part of the LWFA range, please secure suitable clips to the M10 rods provided and Torque the Clamps in line with Manufacturers recommendations
5. Physical pipe stops either welded or clamped should be used on the pipe to avoid slippage.



Clamped Pipe Stop

PAP 40 Pipe Anchor



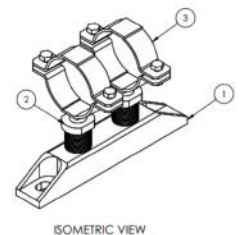
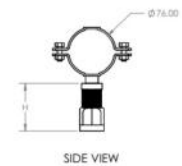
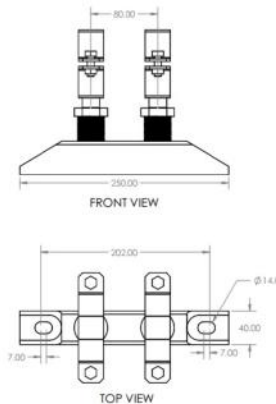
Product Description

Designed to stop axial, lateral and vertical movement of pipe.

These can be floor, ceiling or wall mounted. Designed with height adjustable sockets

Design Features

- Double M16 Connections to pipe clips
- Electro Painted and/or Zinc Nickel Finish
- Available with Short or Long height adjustable sockets
- Clips Sold Separately



Part Number	Connection	MAX Temp.	LOAD - Axial	LOAD - Vertical	LOAD - Lateral
NS-PAP-40-S	2 x M16	200	9kN	9kN	9kN
NS-PAP-40-L	2 x M16	200	9kN	9kN	9kN

Please refer to Installation instructions

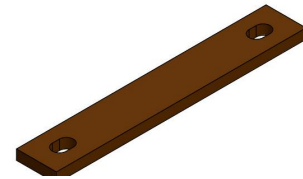
Please note this document can be subject to alteration without notification. Issue 12.04.23

PAPi 40 Pipe Anchor with Thermal Break



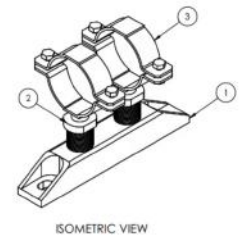
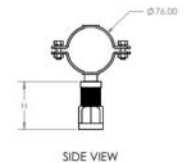
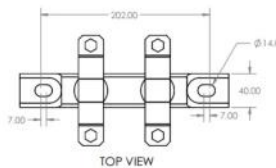
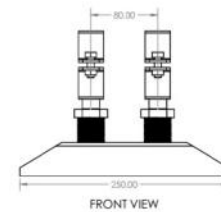
Product Description

Designed to stop axial, lateral and vertical movement of pipe with a Thermal Break Pad to isolate the pipework from cold bridging. These can be floor, ceiling or wall mounted. Designed with height adjustable to aid installation.



Design Features

- Double M16 Connections to pipe clips
- Electro Painted and/or Zinc Nickel Finish
- Available with Short or Long height adjustable sockets
- Clips Sold Separately
- FRR Thermal Break
- Suitable for use on below ambient services



Part Number	Connection	MAX Temp.	LOAD - Axial	LOAD - Vertical	LOAD - Lateral
NS-PAPi-40-S	2 x M16	200	9kN	9kN	9kN
NS-PAPi-40-L	2 x M16	200	9kN	9kN	9kN

Please refer to Installation instructions

Please note this document can be subject to alteration without notification. Issue 12.04.23

PAPD 40 - Pipe Anchor

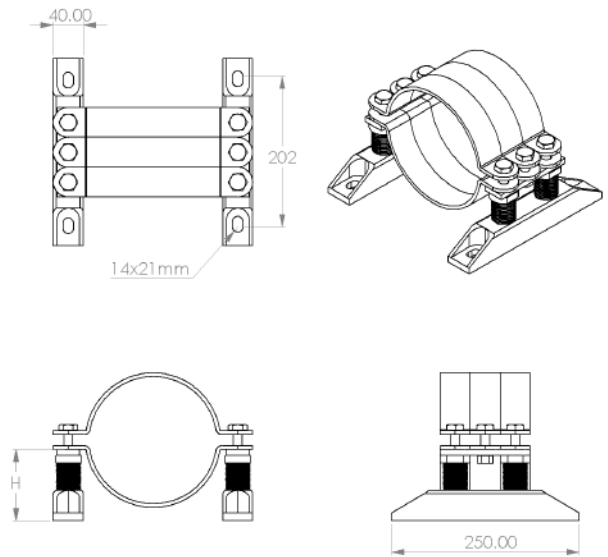


Product Description

Designed to stop axial, lateral and vertical movement of pipe. These can be floor, ceiling or wall mounted. Designed with height adjustable to aid installation,

Design Features

- M12 Connections to pipe clips
- Electro Painted and/or Zinc Nickel Finish
- Height adjustable
- For use with 3no. Clips- Sold Separately
- Available with short or long adjustable sockets
- For pipe sizes DN65 - DN150

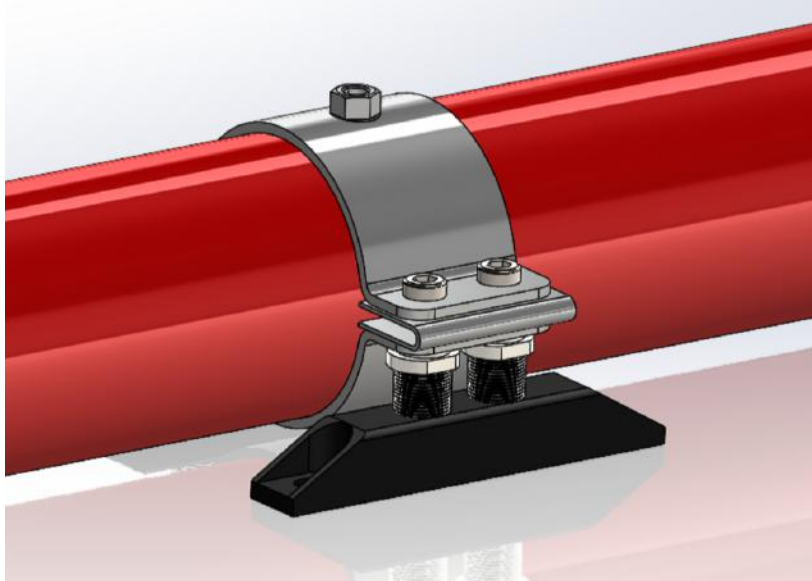


Part Number	Connection	MAX Temp.	Height	LOAD - Axial	LOAD - Vertical	LOAD - Lateral
NS-PAPD-40-S	6 x M12	200	67/97mm	42kN	42kN	42kN
NS-PAPD-40-L	6 x M12	200	86/117mm	42kN	42kN	42kN

Please refer to Installation instructions

Please note this document can be subject to alteration without notification. Issue 12.04.23

PAPD 50 FPC - Pipe Anchor

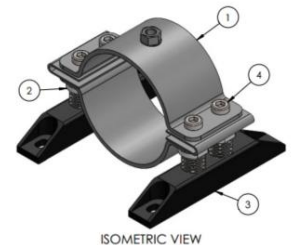
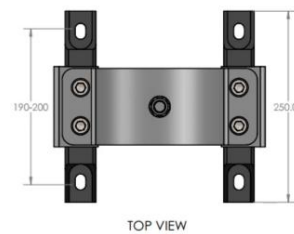
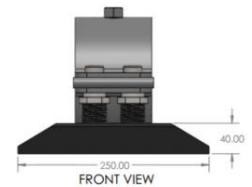
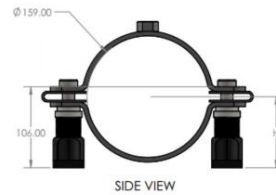


Product Description

Designed to stop axial, lateral and vertical movement of pipe. These can be floor, ceiling or wall mounted. Designed with height adjustable to aid installation,

Design Features

- M16 Connections to pipe clips
- Electro Painted and/or Zinc Nickel Finish
- Height adjustable
- For use with Sikla FPC Clamp Range
- Available with short or long adjustable sockets
- For pipe sizes DN100 - DN500
- Larger Diameters may require Extension Legs (H100-H200)

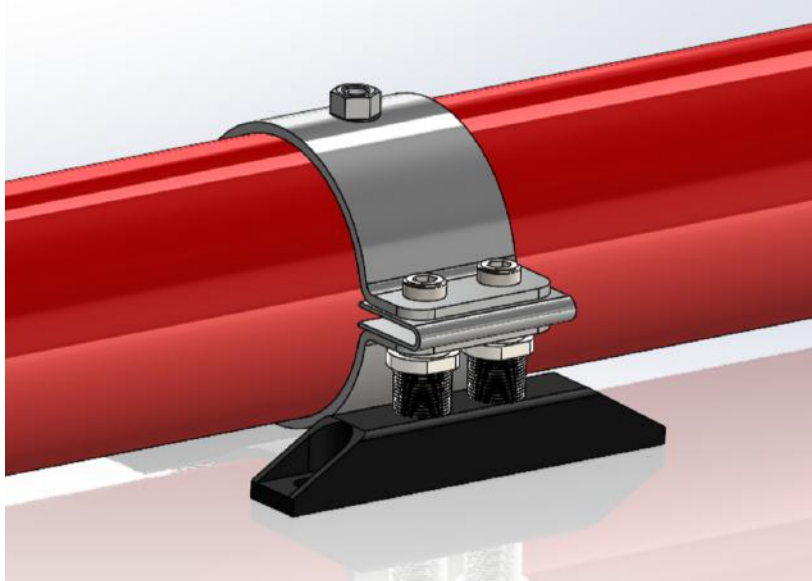


Part Number	Connection to Clamp	MAX Temp.	Height	LOAD - Axial	LOAD - Vertical	LOAD - Lateral
NS-PAPD-50-S	4 x M16	200	67/97mm	35kN	35kN	35kN
NS-PAPD-50-L	4 x M16	200	86/117mm	35kN	35kN	35kN

Please refer to Installation instructions

Please note this document can be subject to alteration without notification. Issue 12.04.23

PAPD 45 FPC - Pipe Anchor

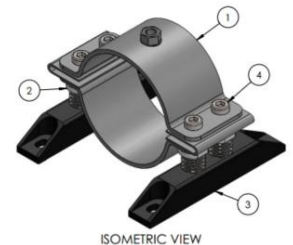
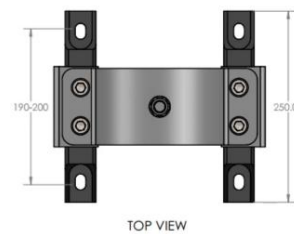
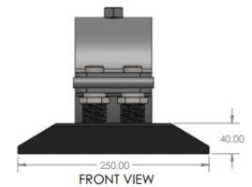
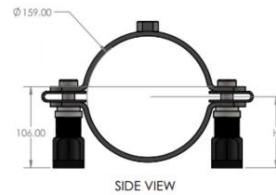


Product Description

Designed to stop axial, lateral and vertical movement of pipe. These can be floor, ceiling or wall mounted. Designed with height adjustable to aid installation,

Design Features

- M16 Connections to pipe clips
- Electro Painted and/or Zinc Nickel Finish
- Height adjustable
- For use with Sikla FPC Clamp Range
- Available with short or long adjustable sockets
- For pipe sizes DN15 - DN80

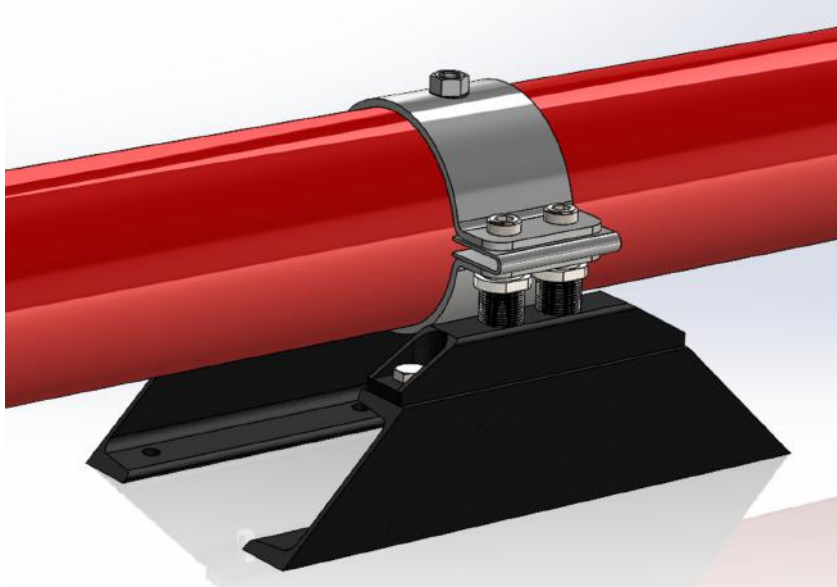


Part Number	Connection to Clamp	MAX Temp.	Height	LOAD - Axial	LOAD - Vertical	LOAD - Lateral
NS-PAPD-45-S	4 x M16	200	67/97mm	35kN	35kN	35kN
NS-PAPD-45-L	4 x M16	200	86/117mm	35kN	35kN	35kN

Please refer to Installation instructions

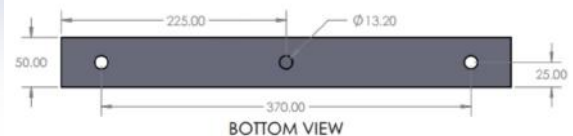
Please note this document can be subject to alteration without notification. Issue 12.04.23

Extension Legs for PAPD - Pipe Anchor

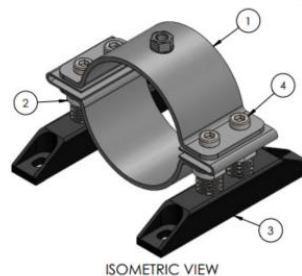


Product Description

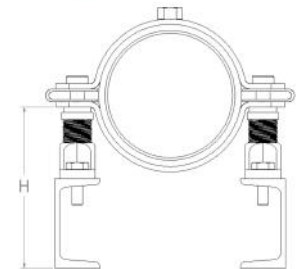
Designed to stop axial, lateral and vertical movement of pipe. These can be floor, ceiling or wall mounted. Designed with height adjustable to aid installation,



ISOMETRIC VIEW



ISOMETRIC VIEW



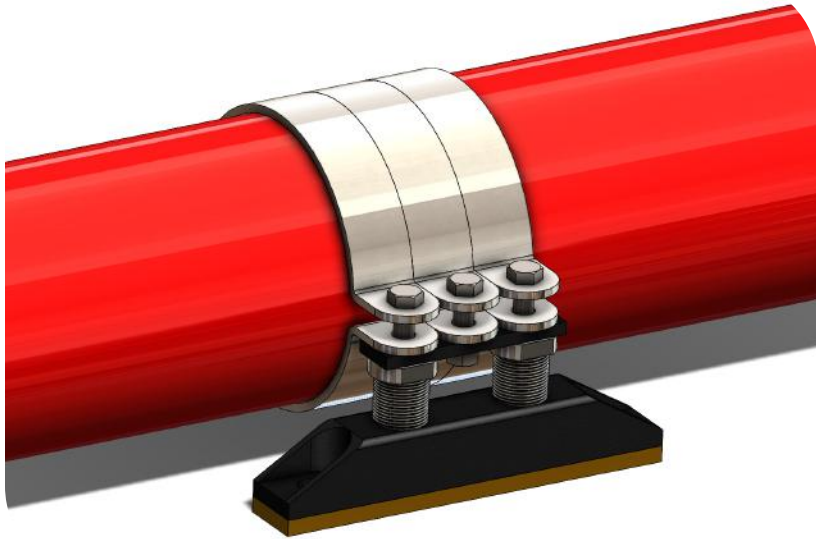
Design Features

- Designed to Fix to the PAPD Range
- Electro Painted and/or Zinc Nickel Finish
- For use with Sikla FPC Clamp Range
- Available with short or long adjustable sockets
- For pipe sizes DN15 - DN500

Part Number	Connection to clamp	MAX Temp.	Height	LOAD - Axial	LOAD - Vertical	LOAD - Lateral
NS-H100	4 x M16	200	H + 100mm	35kN	35kN	35kN
NS-H150	4 x M16	200	H + 150mm	35kN	35kN	35kN
NS-H200	4 x M16	200	H + 200mm	35kN	35kN	35kN

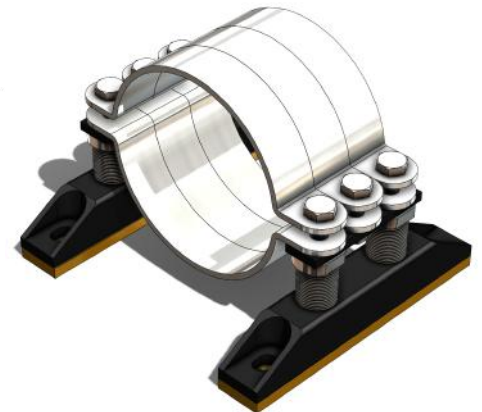
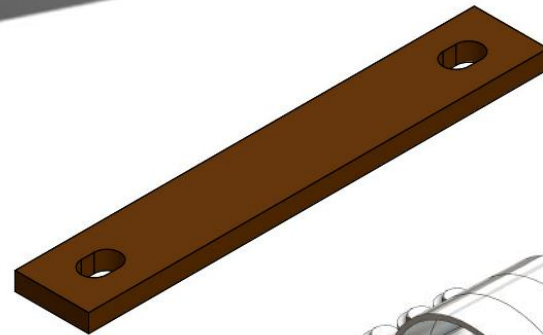
Please refer to Installation instructions

PAPDi 40 - Pipe Anchor including Thermal Break



Product Description

Designed to stop axial, lateral and vertical movement of pipe with a Thermal Break Pad to isolate the pipework from cold bridging. These can be floor, ceiling or wall mounted. Designed with height adjustable to aid installation.



Design Features

- M12 Connections to pipe clips
- Electro Painted and/or Zinc Nickel Finish
- Height adjustable
- For use with 3no. Clips - Sold Separately
- Available with short or long adjustable sockets
- FRR Thermal Break Pad
- For use on below ambient services

Part Number	Connection	MAX Temp.	Height	LOAD - Axial	LOAD - Vertical	LOAD - Lateral
NS-PAPDI-40-S	6 x M12	200	77/107mm	42kN	42kN	42kN
NS-PAPDI-40-L	6 x M12	200	96/127mm	42kN	42kN	42kN

Please refer to Installation instructions

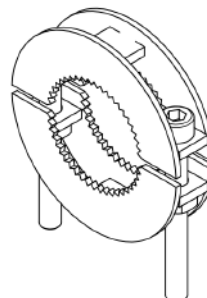
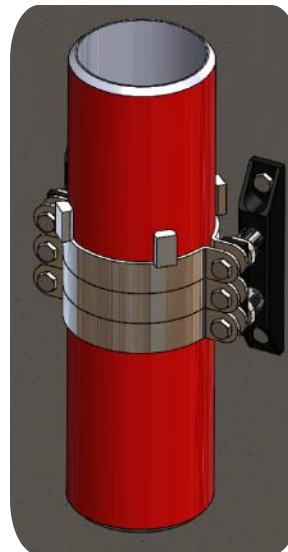
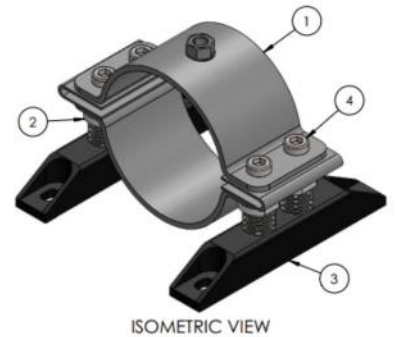
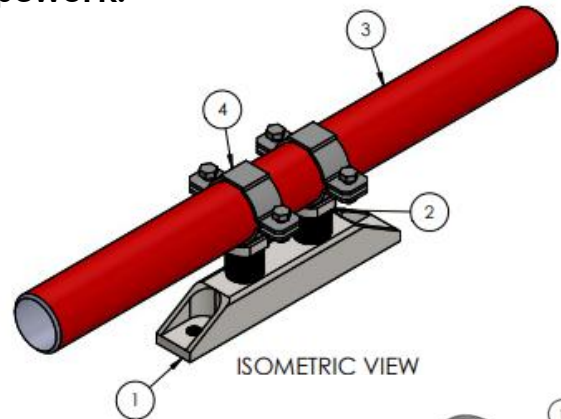
Please note this document can be subject to alteration without notification. Issue 12.04.23

PAP & PAPD - Installation Instructions



These are Anchor Points, designed to rigidly fit pipework.

- Anchors used on risers should have a welded or clamped stop.
- Stainless steel pipe should be welded sched 10 or a clamped stop.
- Always fix the anchor to a solid surface with approved fixings.
- Appropriate fixings should be used to fix to a substrate or steel framing, ideally a minimum of M12.
- Always check and apply the correct torque settings to bolts.
- Clips provided separately and should be appropriate to forces applied.
- Avoid dissimilar metals and galvanic corrosion, contact between Copper or Stainless Steel pipework and Zinc coated products should be avoided.
- Anchoring of pipework should have clips direct to the pipe, for applications below ambient temperature (CHW), Thermal Breaks should be used to avoid "Cold Bridging"
- If connection to a secondary frame structure is required, this should be designed and constructed by suitably qualified and experienced engineers.





Made in Great Britain



NINJA

SUPPORTS

9 Overfields, Thorpe Way, Banbury, OX16 9NZ

www.NinjaSprings.com



Contact us Today:

Sales@NinjaSprings.com

Telephone: 01865 634900