

QUAD DRAGON

Spring Hanger Data Sheet



Product Description

A wide range of Quadruple steel spring hangers offering the optimum performance for low frequency vibration isolation.

Comprehensive load ranges and different fixing requirements offered.

Design Features

Epoxy powder coated steel frame with other steel parts being zinc plated.

Helical Steel Springs, colour coded and manufactured in the UK to BS1726 with nominal deflection up to 50mm

Includes bespoke 12mm dampening arrangement including rubber block.

50% Overload capacity

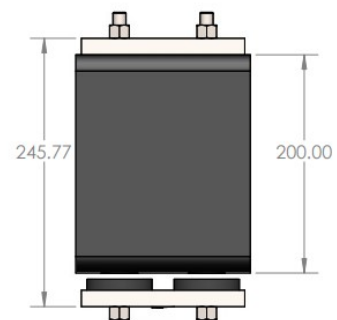
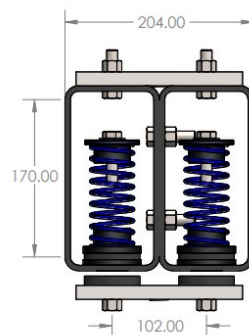
Pre-compression of spring possible before installation and can be delivered pre-set for ease of installation

Fitting via drop rod or direct to supporting structure.



Applications

- Pipework & Ductwork
- Suspended Plant
- Axial Fans & Fan Coil units
- Acoustic Ceilings



| Part Number | Weight (Kg) | Static Deflection (mm) | SPRING COLOUR |
|--------------------|-------------|------------------------|---------------|
| QuadDragon-1000-50 | 1000 | 50 | BLACK |
| QuadDragon-1200-50 | 1200 | 50 | PINK |
| QuadDragon-1600-50 | 1600 | 50 | PURPLE |