

# SUMO DS

## Spring Mount Data

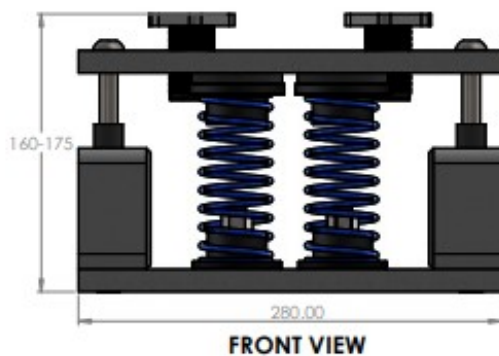
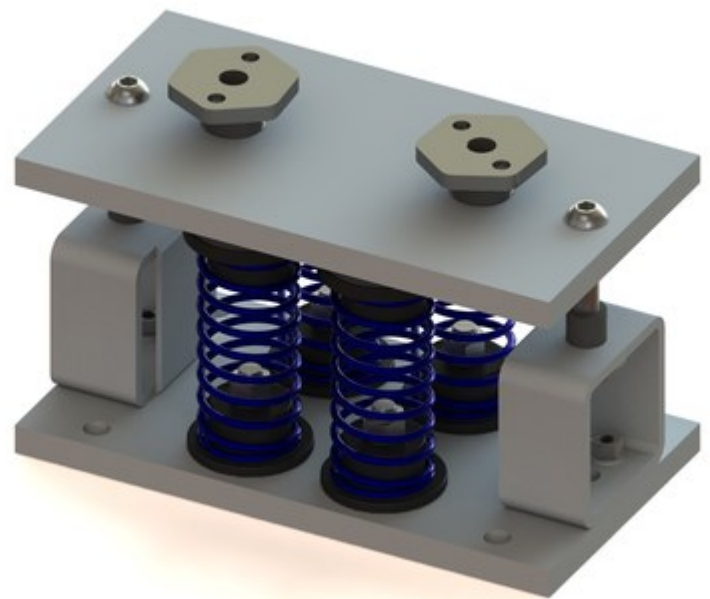
### Product Description

A range of steel spring mounts offering the optimum performance for low frequency vibration isolation. Two mounting sockets for easier fixing.

Comprehensive load ranges and different fixing requirements

### Design Features

- All steel parts are KL100 finish or powder coated.
- Helical Steel Springs, colour coded and manufactured in the UK to BS1726 with nominal deflection up to 50mm
- Includes bespoke 10mm dampening arrangement including rubber block.
- 50% Overload capacity
- Pre-compression of spring possible before installation and can be delivered pre-set for ease of installation
- Adjustable mounting sockets for easy on site adjustments and use with I-Beams



Part number	Weight (Kg)	Static Deflection (mm)	Spring Colour
SUMO-DS--KL-100-50	100	50	YELLOW
SUMO-DS-KL-200-50	200	50	GREEN
SUMO-DS-KL-300-50	300	50	ORANGE
SUMO-DS-KL-400-50	400	50	RED
SUMO-DS-KL-500-50	500	50	BROWN
SUMO-DS-KL-600-50	600	50	BLUE
SUMO-DS-KL-800-50	800	50	WHITE
SUMO-DS-KL-1000-50	1000	50	BLACK
SUMO-DS-KL-1200-50	1200	50	PINK
SUMO-DS-KL-1600-50	1600	50	PURPLE