

SINKofAMERICA

www.sinkofamerica.com

Sink of America Inc.

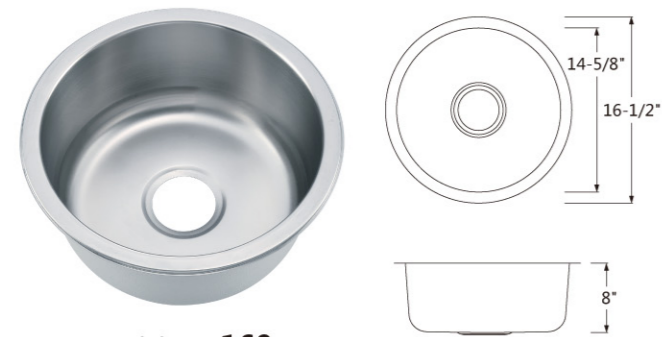
Add : 11028 Leadbetter Rd. Ste 3 Ashland, VA 23005

Tel : (804)7985542 Fax : (888)5036998

E-mail: info@sinkofamerica.com

www.sinkofamerica.com



Model No: **160**Model No: **1616**Model No: **1513**Model No: **1815**

SINGLE BOWL SINKS

Model No: **2318**Model No: **2421**

SINK FEATURES:

- 304Ss 18/8 chromium/nickel heavy duty stainless steel
- Sprayed sound proof coating with additional sound proof pad
- Durable one-piece construction with brushed satin finish
- Limited lifetime warranty

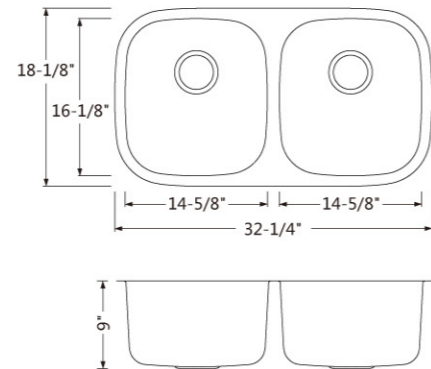
Model No: **2718**Model No: **3018**Model No: **3118**

DOUBLE BOWL SINKS

www.sinkofamerica.com



Model No: **502**

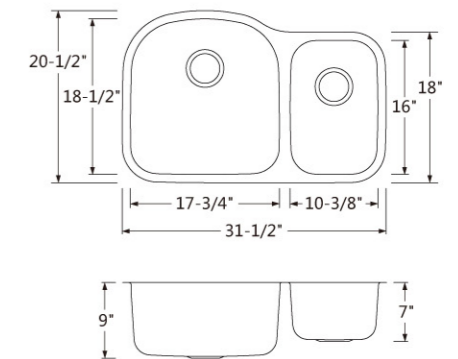


DOUBLE BOWL SINKS

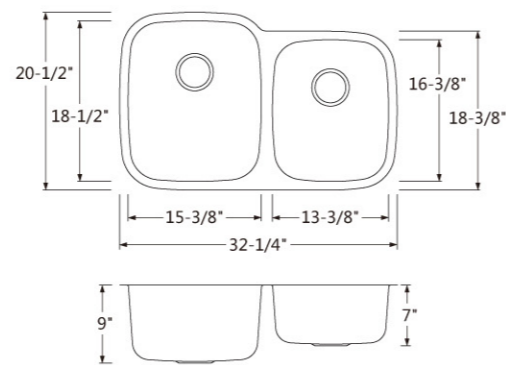
www.sinkofamerica.com



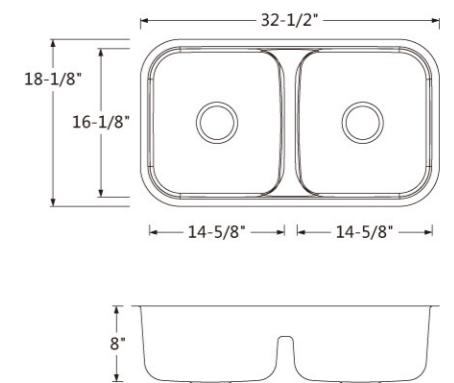
Model No: **3121L**
(Reverse available)



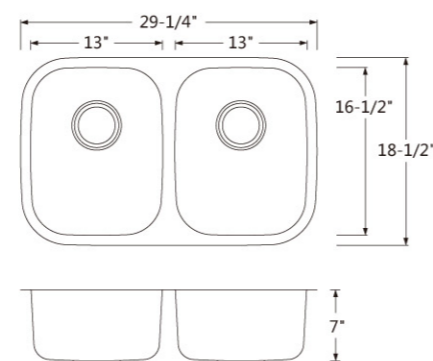
Model No: **503L**
(Reverse available)



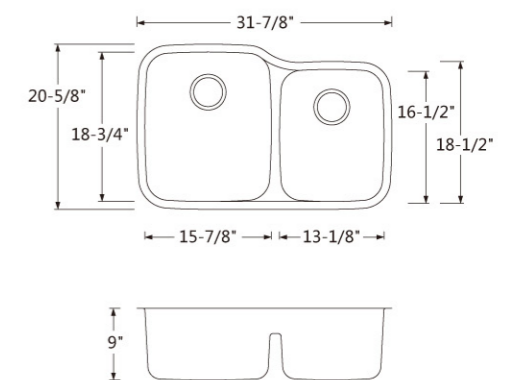
Model No: **J3218**



Model No: **505**

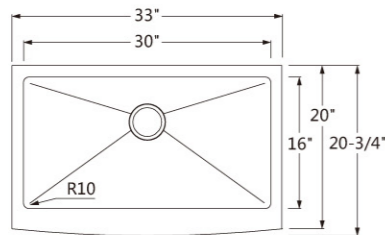


Model No: **J3221**

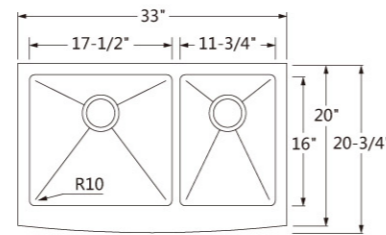




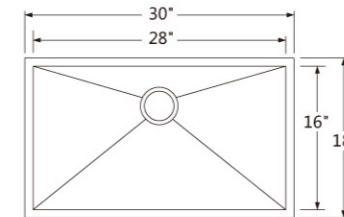
Model No: **AP3320C**



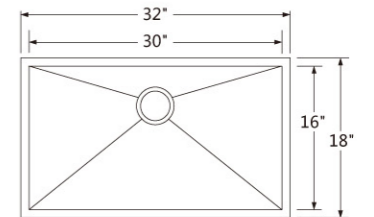
Model No: **AP3320BL**



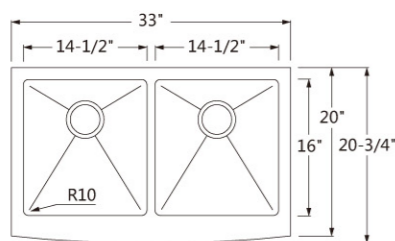
Model No: **F3018S**



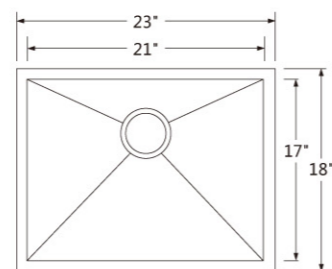
Model No: **F3218S**



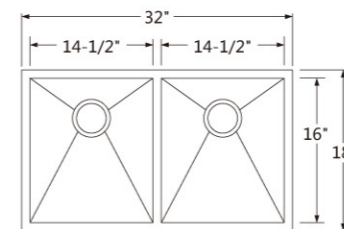
Model No: **AP3320D**



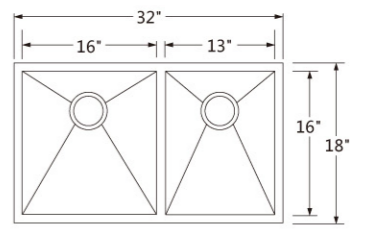
Model No: **F2318**



Model No: **F3218D**



Model No: **F3218BL**

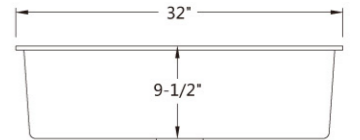
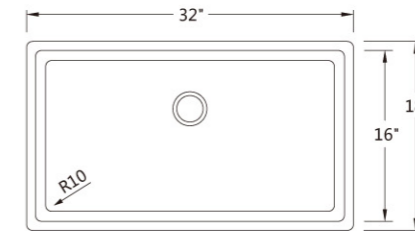




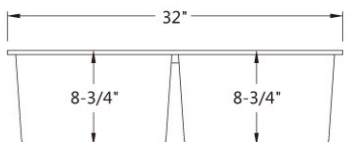
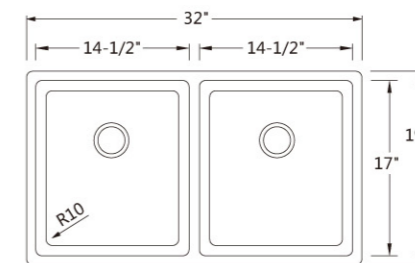
Model No: **813D**



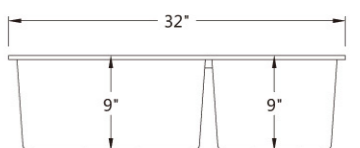
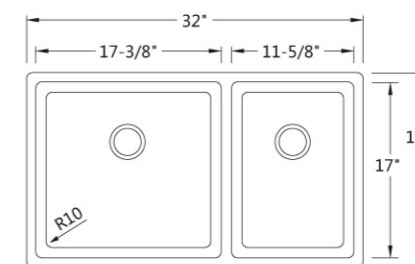
Model No: **813S**
(Black, Coffee, White)



Model No: **813D**
(Black, Coffee, White)



Model No: **813BL**
(Black, Coffee, White)



PORCELAIN FARM SINK

www.sinkofamerica.com



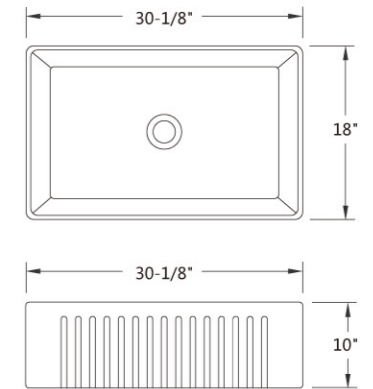
Model No: **FS3021**

PORCELAIN FARM SINK

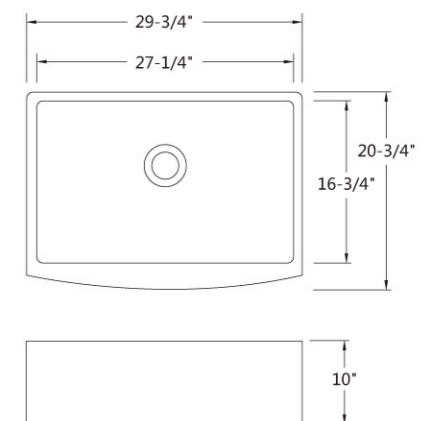
www.sinkofamerica.com



Model No: **P3018**



Model No: **P3021**



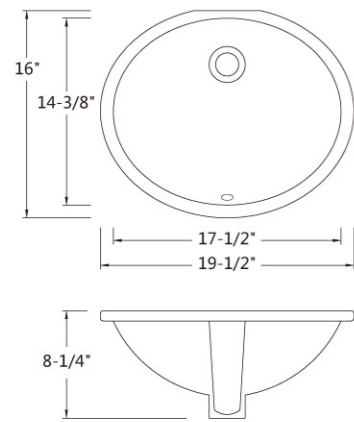
VANITY SINKS

Available in white and biscuit color

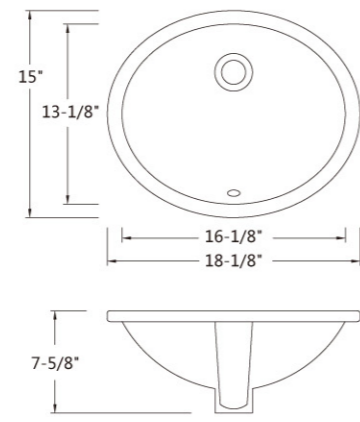
www.sinkofamerica.com



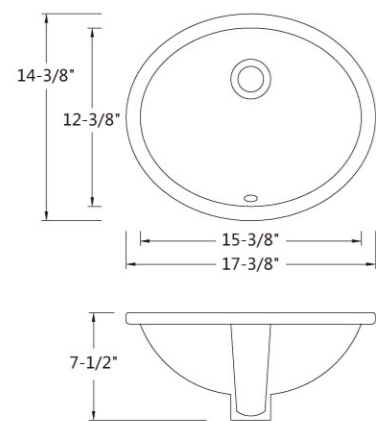
Model No: **1714**



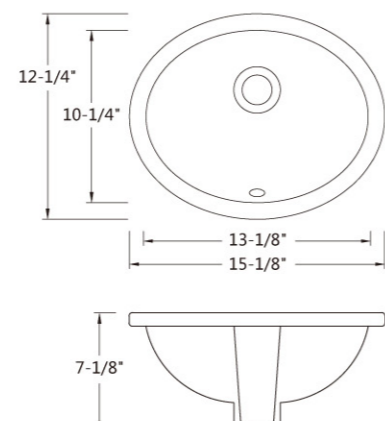
Model No: **1613**



Model No: **1512**



Model No: **1310**

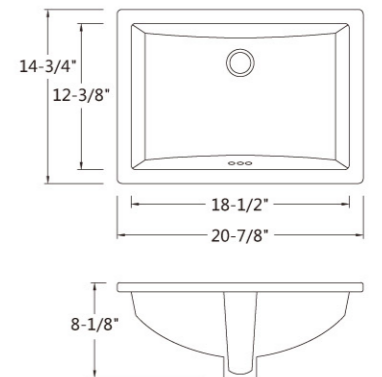


VANITY SINKS

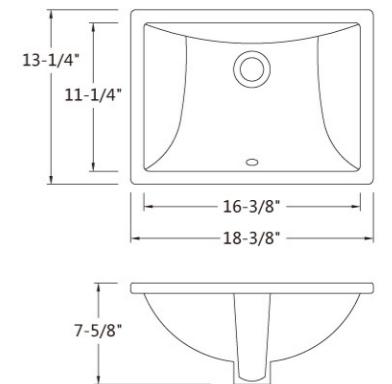
www.sinkofamerica.com



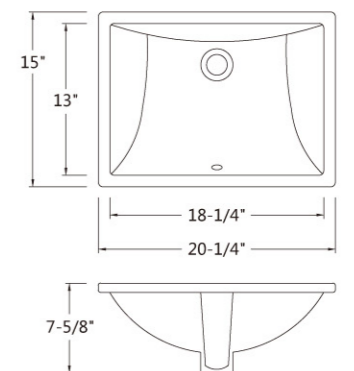
Model No: **2254**



Model No: **1611**

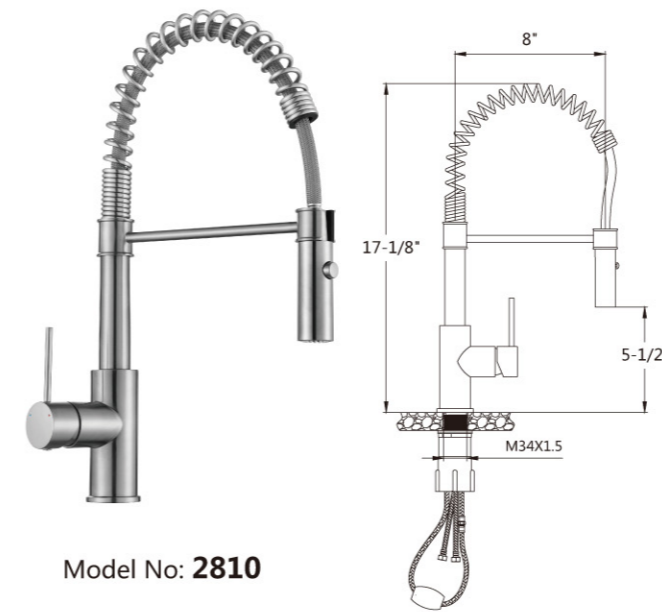


Model No: **1813**

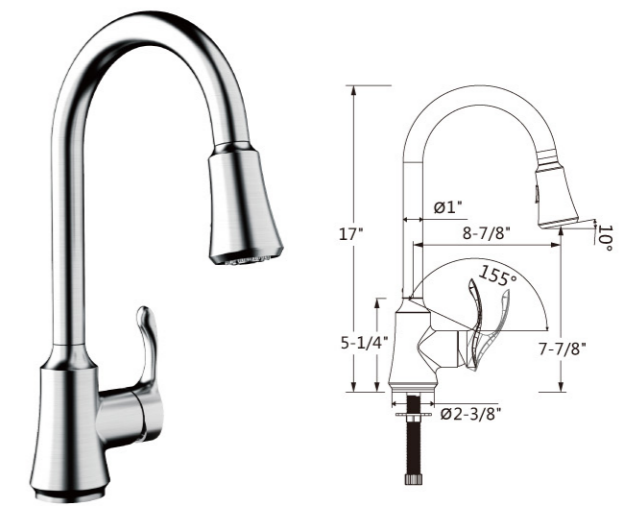




Model No: 2816



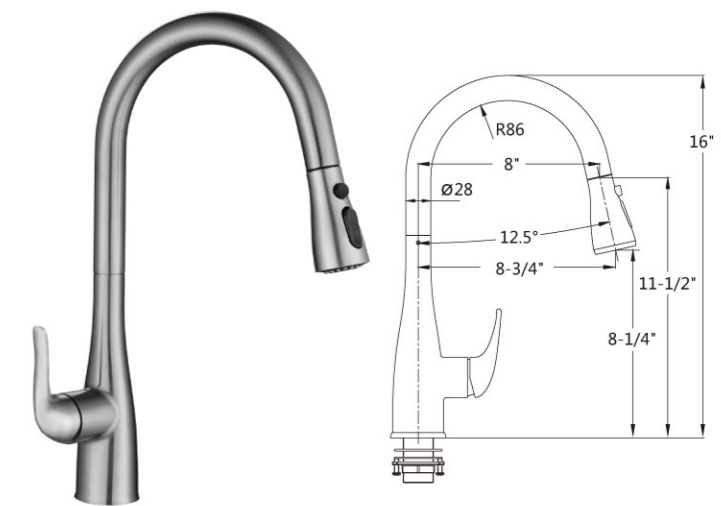
Model No: 2810



Model No: 2815



Model No: 2816



Model No: 2819