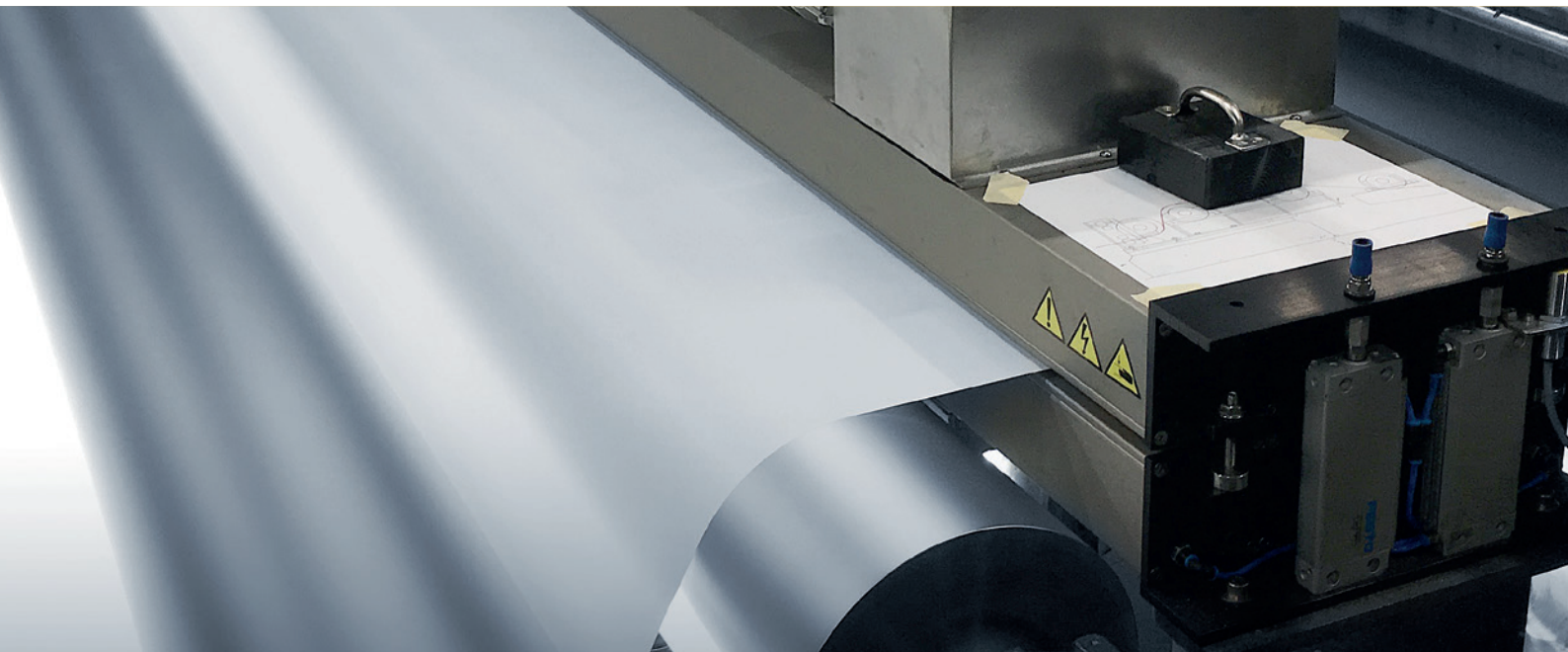


KELVA PIONEER OF WEB CLEANING

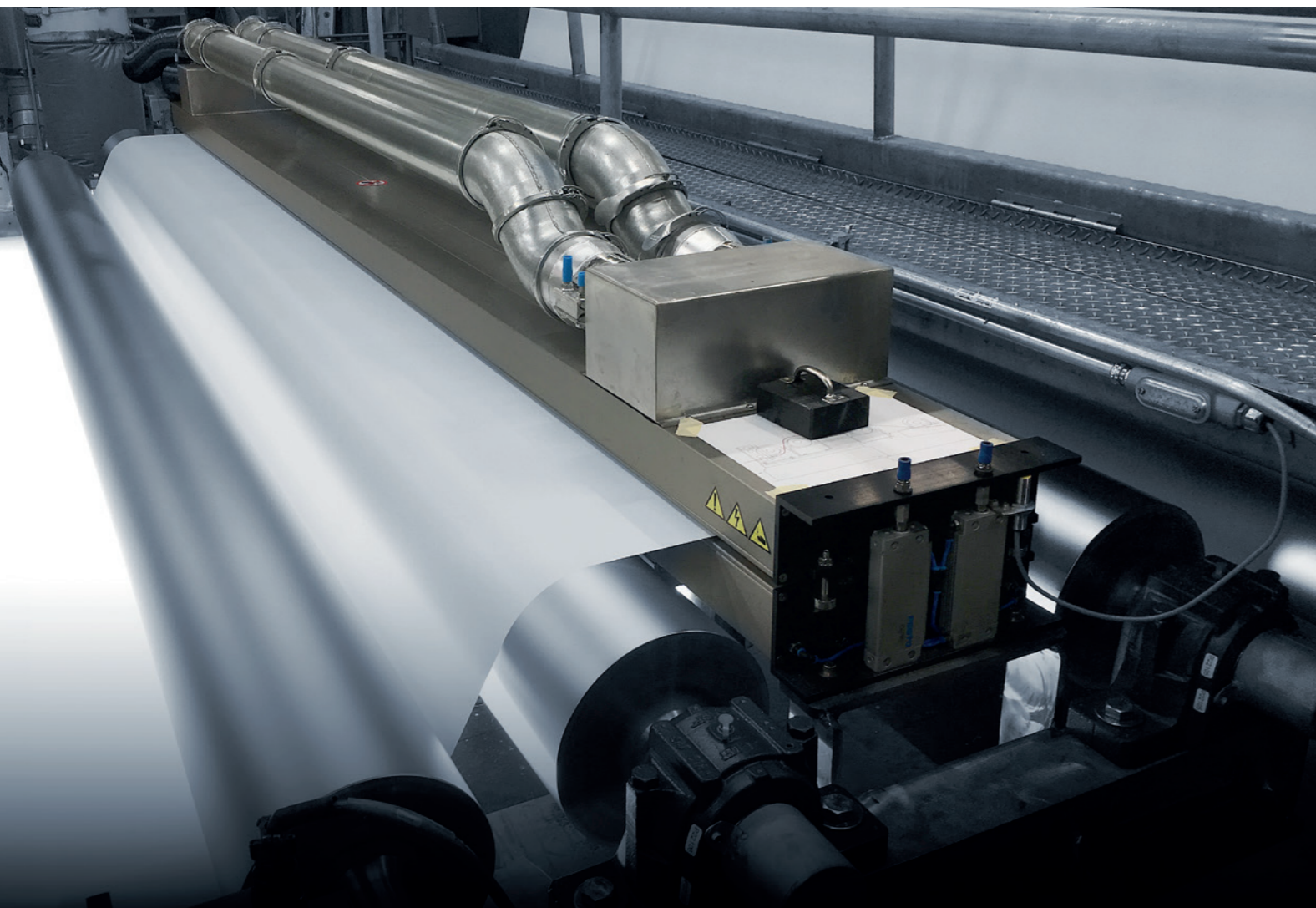
**SPECIFIC SOLUTIONS FOR
CORRUGATED BOARD, TISSUE, NON-WOVEN,
FILM, GLASS, GLASS FIBER AND PRINTING.**



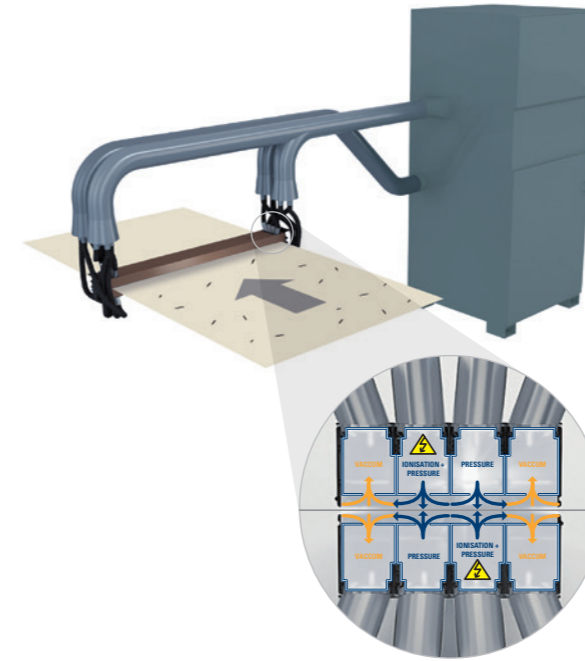
WHY WEB CLEANING?

Contamination of a moving web can be caused by the environment, the process itself or needed operations. Debris, such as particles, fibers and even foreign objects can influence quality and customer satisfaction as well as health and safety. From the smallest particles that interfere with cleanroom environments to larger fibers that cause quality issues, such as poor printing quality or even rejects, web contamination is not an easy problem to solve. Physical phenomenon's, such as electrostatic charging and boundary layers, do make the solution even more of a challenge.

Since more than 50 years KELVA is a pioneer in web cleaning and the leading supplier of web and sheet cleaning equipment. Specific solutions for corrugated board, tissue, non-woven, film, glass, glass fiber, printing (among others) assure you of the best web cleaning solution for your application. Over 7 000 installations worldwide show that KELVA is a proven partner for dust and contamination free production. KELVA's web cleaning systems are developed, engineered and produced in Switzerland and Sweden.



NON-CONTACT WEB CLEANING



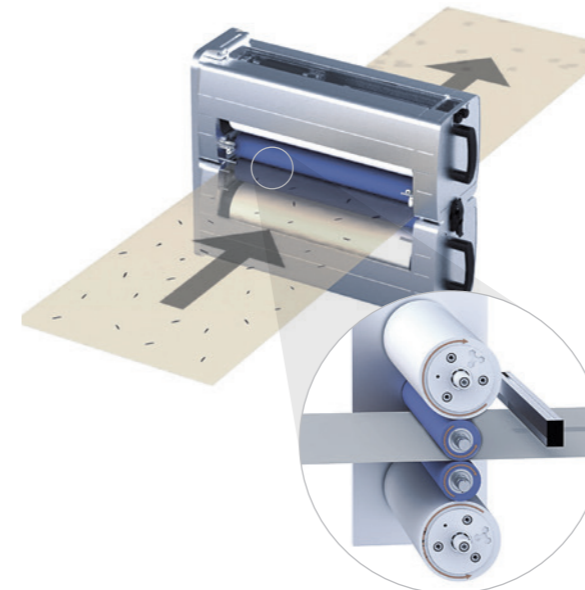
Cleaning method for relatively high dust load and sensitive webs where no contact with the material is allowed. Typical application: converting, printing, and materials like non-woven, tissue, paper and glass fiber.

A KELVA non-contact cleaning system includes a web cleaner with integrated antistatics, a filter/fan unit and connecting duct system.

Advantages:

- Web widths from 250 mm up to 10 000 mm
- No contact to the web, or interference on guiding and tension
- Consistent cleaning efficiency
- Energy-saving circulating air flow
- Low maintenance costs and very few consumables
- Very compact and industrial design

CONTACT WEB CLEANING



Cleaning method for applications with high demand on cleaning efficiency, like e.g. film and non-fibrous materials. Typical application: label printing.

The KELVA contact cleaners contain a special polymer roller for close contact to the web picking up almost 100% of all particles from the web passing through the cleaner even at low pressure. The particles are transferred to a sheeted adhesive roller from which sheets easily can be torn off when required. A static discharger at the outlet ensures that the web does not re-attract dust.

Advantages:

- Web widths from 200 mm up to 2500 mm
- Single- or double-sided cleaning
- Web speed up to 400 m/min
- Close to 100% efficiency
- 24 VDC/pneumatic operation
- Compact design, easy handling, silent operation

NON-CONTACT WEB CLEANING CLEANERS – PRODUCT RANGE



BR45

BR-Series – narrow web, manual operation

- Modular cost efficient design
- Web widths up to 700 mm
- Multiple external antistatic options
- Air connection from side, bottom or top

TL/SL-Series – medium wide webs, cylinder operated

- Modular cost efficient design
- Web widths up to 2900 mm
- Integrated or external antistatic options
- Air connection from side, or high speed connection from top



TL1

HS/ST-Series – wide web applications

- Flexible design to cover special demands
- Web widths up to 10000 mm
- Integrated antistatics
- High speed air connections



HS85

CONTACT WEB CLEANING CLEANERS – PRODUCT RANGE



LC650

LC/LCW – single sided cleaners

- Web widths from 200 up to 2.500 mm
- Web speed up to 250 m/min
- Cylinder operated
- Mounted on top of a machine roller

CWC S/D – narrow web cleaners

- The standard cleaner for label printing
- Double or single sided cleaning
- Side pull-out adhesive rollers
- Side opening for easy access to rollers



CWCD

FILTER/FAN UNITS – PRODUCT RANGE



AFF-I84

K-Series – very compact industrial design

- Capacity for web widths up to 1800 mm
- Disposal fine filters
- HEPA filters for cleanroom applications as option
- Direct driven fan and built-in VFD

AFF-Series – medium/wide webs

- Bigger dust loads and web width up to 3000 mm
- Control cabinet with automatic jet-pulse cleaning
- Long-lasting rigid filter panels
- Small footprint and compact design (AFF-K)
- Hopper and dust bin for easy waste handling (AFF-I)



K75D



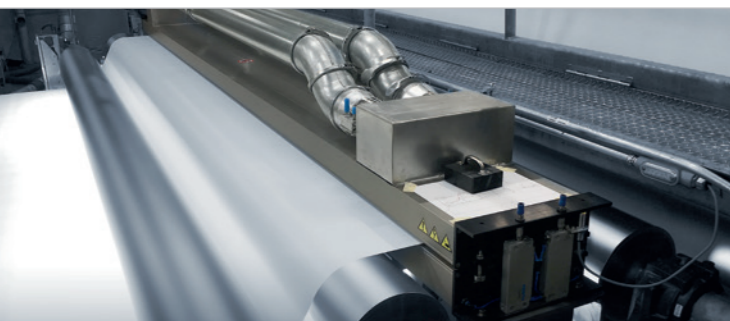
WWC

WWC/WWCMR –

Wide web double sided cleaners

- Web widths from 700 up to 2100 mm
- Web speed up to 400 m/min
- Side pull-out adhesive rollers
- Cylinder operated at front or control box

WEB CLEANING APPLICATIONS



Paper, Solid board

Wide fast running webs require an aggressive web cleaning to be efficient.



Film, Foil

Large variety of materials for many different purposes require a wide portfolio of cleaning solutions.

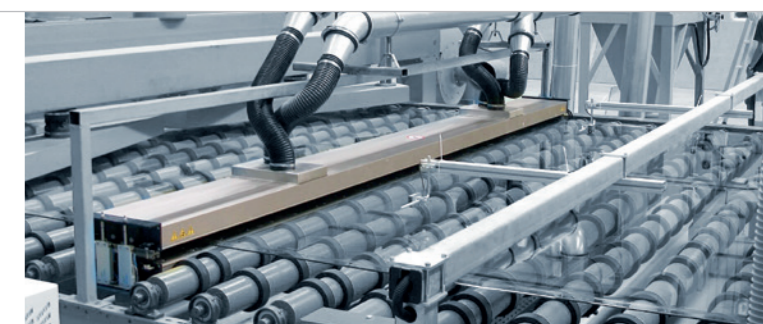
Label Printing

Film or foil and moderate web speeds make a contact cleaner the right choice.



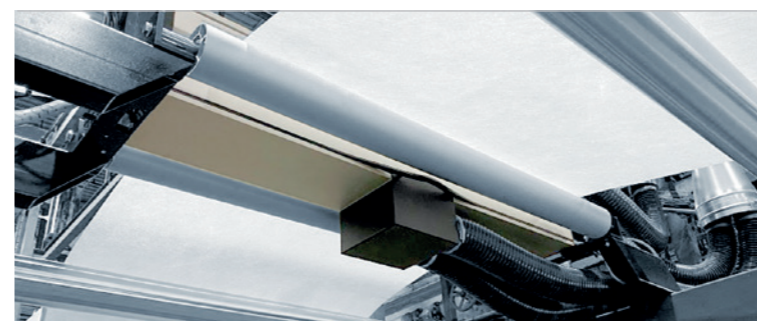
Glass, LCD

Fragile and sensitive substrates require special solutions for a gentle, but efficient cleaning.



Converting, Laminating

Require flexible solutions adaptable for many different machines. Non-contact or contact solutions, depending on material.

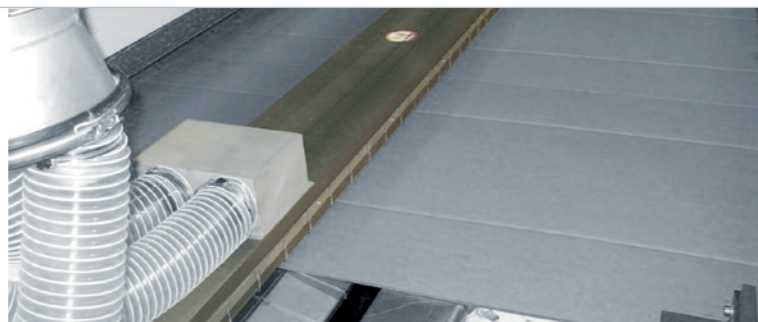


Glass Fiber

A web cleaner can really make a difference on work environment and need for maintenance and cleaning.

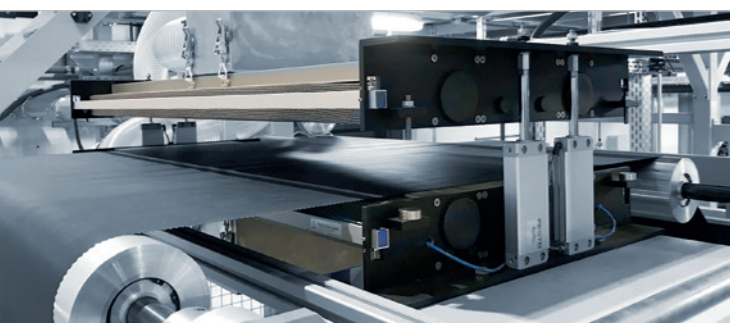
Corrugated board

Heavy-duty cleaner design, aggressive cleaning and special features for guiding.



Non-woven, Tissue

Dusty and difficult applications require special solutions for web support and maintenance.



Fabrics

Low speed and low tension webs require support while being cleaned. A special slot configuration can be the solution.



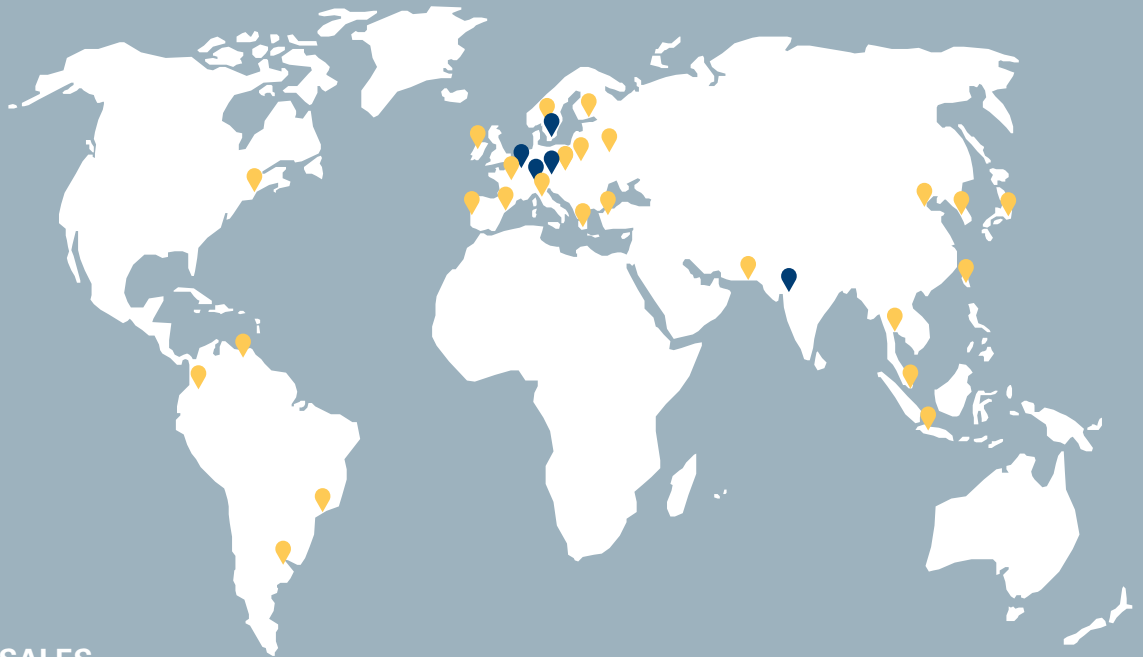
Printing

A web cleaner will make a big difference on printing quality and need for cleaning.





**KELVA HEAD OFFICE – SALES
SWEDEN**

Hammarvägen 1
232 37 Arlöv
T +46 46 160 700
kelva@kelva.com



**KELVA OFFICE – SALES
GERMANY**

Nurnberg
kelva@kelva.com
T +49 172 981 92 15

-  KELVA Offices
-  KELVA Partners

**KELVA OFFICE – SALES
THE NETHERLANDS**

Weesp
kelva@kelva.com
T +31 627 07 71 77

**KELVA OFFICE – SALES
INDIA**

Ahmedabad
kelva@kelva.com
T +91 8487 00 88 24

WWW.KELVA.COM

KELVA – part of CHROMOS Group

Swiss based CHROMOS Group is a leading solution provider for the graphic arts industry; packaging industry; food and beverage industry; photo, film and broadcast industry; medical and pharmaceutical industry as well as manufacturing industries.