

PLUMBING LEGEND	
SYMBOL	DESCRIPTION
	NEW SANITARY PIPE
	NEW SANITARY VENT PIPE
	NEW COLD WATER PIPE
	NEW HOT WATER PIPE
	RE-CIRCULATING HOT WATER PIPE
	NEW STORM DRAIN PIPE
	NEW CONDENSATE DRAIN PIPE
	DIRECTION OF FLOW
	ELBOW TURNED DOWN
	ELBOW TURNED UP
	WALL CLEAN OUT
	SHUT-OFF VALVE
	BALL VALVE
	CHECK VALVE
	BALANCING VALVE
	UNION
	PIPE CAP
	HOSE BIBB WITH VACUUM BREAKER
	PRESSURE REDUCING VALVE
	REDUCED PRESSURE PRINCIPLE BACK FLOW PREVENTER
	CONNECTION TO EXISTING

PLUMBING ABBREVIATIONS	
AFB	ABOVE FINISH FLOOR
ASME	AMERICAN SOCIETY OF MECHANICAL ENGINEERS
ASTM	AMERICAN SOCIETY FOR TESTING MATERIAL
A/C	AIR CONDITIONING
CD	CONDENSATE
CO	CLEAN OUT
CONT	CONTINUATION
COND	CONDENSATE
CLG	CEILING
CONN	CONNECTION
CN	DOMESTIC COLD WATER
DN	DOWN
DR	DRAIN
DIAM	DIAMETER
DS	DOWNSPOUT
DWG	DRAWING
FD	FLOOR DRAIN
PRV	PRESSURE REDUCING VALVE
RML	RAIN WATER LEADER
RND	ROOF DRAIN
FL	FLOOR
FT	FOOT
FU	FIXTURE UNIT
FCO	FLOOR CLEAN OUT
FUT	FUTURE
HM	DOMESTIC HOT WATER
HWR	DOMESTIC RE-CIRCULATING HOT WATER
N.T.S.	NOT TO SCALE
SAN	SANITARY
SD	STORM DRAIN
SK	SINK
TYP	TYPICAL
UL	UNDERWRITER'S LABORATORY
W/	WITH
VENT	VENTILATION
VTR	VENT THRU ROOF

NOTE:
NOT ALL SYMBOLS AND ABBREVIATIONS LISTED APPLY TO THIS PROJECT. REFER TO CONSTRUCTION DOCUMENTS FOR SCOPE OF WORK.

CODE COMPLIANCE	
2020	FLORIDA BUILDING CODE (7TH EDITION)
2020	FBC PLUMBING CODE (7TH EDITION)
2020	FBC ACCESSIBILITY CODE (7TH EDITION)
2020	FIRE PREVENTION CODE - 7TH EDITION (NFPA 1 - 2018 & NFPA 101 - 2018)
	LOCAL ORDINANCES, REGULATIONS OF THE BUILDING DEPTS. AND FIRE DEPTS OCCUPATIONAL SAFETY.

PLUMBING GENERAL NOTES	
1.	ALL WORK PERFORMED UNDER THIS CONTRACT SHALL COMPLY WITH LATEST EDITION OF THE FLORIDA BUILDING CODES AND ALL THE STANDARD OF CONSTRUCTION ESTABLISHED BY THE FACILITY AND THE LATEST EDITION OF FOLLOWING PUBLICATIONS: OSHA, DERSI, ETC.
2.	THE WORK THAT IS TO BE DONE UNDER THIS HEADING INCLUDES THE FURNISHING OF ALL LABOR, MATERIALS AND EQUIPMENT, PERMITS, FEES, INSPECTIONS, TEST, INSURANCE, ETC., REQUIRED FOR THE COMPLETION OF THE WORK DESCRIBED HEREIN.
3.	THE DRAWINGS ARE GENERALLY DIAGRAMMATIC. THEY DO NOT SHOW EVERY BEND, OFF-SET, ELBOW OR OTHER FITTINGS WHICH MAY BE REQUIRED FOR THE INSTALLATION IN THE SPACE ALLOCATED, OR FOR COORDINATION WITH OTHER TRADES.
4.	ALL WORK SHALL BE PERFORMED BY A LICENSED PLUMBING CONTRACTOR IN A FIRST CLASS WORKMANLIKE MANNER. THE COMPLETE SYSTEM SHALL BE FULLY OPERATIVE AFTER COMPLETION OF WORK.
5.	THE MAJOR PORTION OF THE PLUMBING SYSTEMS ARE AS SHOWN ON THE DRAWINGS; HOWEVER, MINOR DEVIATIONS MAY BECOME EVIDENT AS THE JOB PROGRESSES. NO ADVANTAGE IS TO BE TAKEN BY THE PLUMBING CONTRACTOR BECAUSE OF THESE MINOR DIFFERENCES.
6.	THE CONTRACTOR AND SUBCONTRACTORS SHALL BE RESPONSIBLE FOR REVIEW OF THE GENERAL NOTES, SPECIFICATIONS, OWNERS STANDARD AND ALL OTHER DRAWINGS FOR ADDITIONAL REQUIREMENTS WHICH MAY NOT BE SPECIFICALLY CALLED OUT IN THIS PORTION OF THE CONSTRUCTION DOCUMENTS.
7.	ALL PIPING SHALL BE INSTALLED RECESSED IN BLOCK WALLS, CHASES OR PARTITIONS.
8.	PLUMBING CONTRACTOR SHALL VERIFY ALL SPACE CONDITIONS AND DIMENSIONS AT JOB SITE PRIOR TO FABRICATION AND INSTALLATION OF MATERIALS AND EQUIPMENT.
9.	SUBMIT SHOP DRAWINGS TO ENGINEER FOR APPROVAL OF ALL EQUIPMENT, MATERIALS AND LAYOUTS PRIOR TO INSTALLATION. ALL SUBMITTALS MUST BE CLEARLY INDICATED EXACTLY WHICH ITEMS ARE BEING PROPOSED FOR USE AND IDENTIFIED WITH SAME NAMING CONVENTION SHOWN PLANS, OTHERWISE THE SUBMITTAL WILL BE REJECTED.
10.	FURNISH AND INSTALL PLUMBING FIXTURES AS SPECIFIED, OR AS SELECTED BY ARCHITECT/FACILITY.
11.	PLUMBING CONTRACTOR SHALL GUARANTEE ALL WORK FREE OF DEFECTS IN MATERIALS AND WORKMANSHIP FOR A PERIOD OF ONE YEAR FROM DATE OF ACCEPTANCE.
12.	EACH PLUMBING FIXTURE SHALL BE PROVIDED WITH WATER HAMMER ARRESTOR.
13.	PROVIDE SHUT-OFF VALVE FOR EACH FIXTURES.
14.	WHEREVER DISSIMILAR METALS ARE TO BE JOINED, A DIELECTRIC FITTING SHALL BE PROVIDED TO CONNECT BOTH TYPES OF PIPES.
15.	CONTRACTOR SHALL BE RESPONSIBLE TO COORDINATE ALL ROUGH-INS WITH EQUIPMENT AND FIXTURE'S MANUFACTURER BEFORE MAKING ANY INSTALLATION.
16.	INSTALL ALL PIPE 3" AND LARGER AT 1/8" PER FOOT SLOPE. INSTALL PIPE SMALLER THAN 3" AT 1/4" PER FOOT SLOPE.
17.	ALL EXPOSED TRIM SHALL BE CHROME PLATED FINISH FOR ALL WATER SUPPLY AND WASTE ASSEMBLIES.
18.	CONTRACTOR SHALL PROTECT AND FIRE SEAL ALL OPENINGS AND PIPE PENETRATIONS THROUGH FIRE RATED WALLS AND CEILINGS WITH APPROVED FIRESTOPPING MATERIALS TO MAINTAIN THE INDICATED FIRE RATINGS OF THE ASSEMBLIES BEING PENETRATED.
19.	PROVIDE CEILING/WALL ACCESS PANELS WHERE INDICATED IN THE DRAWINGS AND WHERE REQUIRED TO ACCESS PLUMBING EQUIPMENT AND VALVES. PANELS SHALL BE RECESSED TYPE, FIRE RATED IF IN FIRE RATED WALLS OR CEILINGS. LOCATIONS OF PANELS SHALL BE COORDINATED WITH ALL OTHER TRADES AND ARCHITECT.
20.	ALL PIPING SHALL BE LABELED CORRECTLY AND DIRECTION OF FLOW INDICATED.
21.	PIPING PENETRATION AT ROOFS, CEILINGS, FLOORS AND WALLS SHALL BE SEALED AIR AND WATER TIGHT.
22.	ALL HORIZONTAL VENT PIPING SHALL SLOPE TO DRAIN TO STACKS. NO POCKETS OR LOW POINTS SHALL BE CREATED IN THE VENT LINES WHICH MAY PREVENT VENTING IF FILLED WITH CONDENSATION.
23.	PROTECTION OF PIPES AND PLUMBING SYSTEM COMPONENTS: A. PIPING PROTECTION SHALL COMPLY WITH SECTIONS: 305.1 CORROSION, 305.2 BREAKAGE, 305.3 STRESS & STRAIN, 305.4 SLEEVES, 305.5 PIPES THROUGH OR UNDER FOOTING OR FOUNDATION WALL, 305.6 FREEZING, 305.7 WATERPROOFING OF OPENING, 305.8 PROTECTION AGAINST PHYSICAL DAMAGE & 305.9 PROTECTION OF COMPONENTS OF PLUMBING OF THE FLORIDA PLUMBING CODE.
24.	EACH BATHROOM GROUP SHALL BE PROVIDED WITH WATER HAMMER ARRESTOR.
25.	CONTRACTOR SHALL BE RESPONSIBLE TO PROVIDE ALL PLUMBING UTILITIES REQUIRED BY THE EQUIPMENT MANUFACTURERS LISTED IN THE PLUMBING FIXTURE SCHEDULE SHOWN ON DRAWING.
31.	ALL FLOOR DRAINS WITH TAP FOR TRAP SEAL FLOOR DRAIN REVEALS SHALL BE FROM A WATER CLOSET FLUSH VALVE TAILPIECE UNLESS OTHERWISE NOTED. (FLUSH VALVE WITH TRAP PRIMER ASSEMBLY).
32.	COORDINATE NEW PLUMBING WORK WITH LIGHTING, ELECTRICAL, DUCTWORK, STRUCTURAL FRAMING AND CEILING SYSTEMS.
33.	CONTRACTOR SHALL COORDINATE LOCATION AND SIZE OF ALL PENETRATIONS THROUGH WALLS, CEILINGS, FLOORS AND ROOFS WITH OTHER TRADES AND REPORT ANY DISCREPANCIES TO ARCHITECT/ENGINEER. NO STRUCTURAL MEMBER SHALL BE CUT OR MODIFIED WITHOUT WRITTEN AUTHORIZATION.
34.	DRAWING ARE DIAGRAMMATIC. DO NOT SCALE DRAWINGS FOR EXACT LOCATION OF FIXTURES AND PIPING.
35.	NO PVC PIPING TO BE USED IN COMMON RETURN PLENUM AREAS. ALL MATERIALS WITHIN RETURN AIR PLENUM SHALL BE NONCOMBUSTIBLE OR SHALL HAVE A FLAME SPREAD INDEX OF NOT MORE THAN 25 AND SMOKE DEVELOPED INDEX NOT MORE THAN 50 WHEN TESTED IN ACCORDANCE WITH ASTM E84 OR UL73 AS PER MECH-FBC CHAPTER 6. ANY EXISTING AND NEW PVC PIPING EXPOSED TO RETURN AIR PLENUM SHALL BE EITHER REPLACED OR INSULATED WITH FIRE-WRAP INSULATION ACCORDINGLY.
36.	WHERE CEILING SPACE IS A COMMON RETURN AIR PLENUM NO COMBUSTIBLE MATERIALS ALLOWED.
37.	ROUTING OF ANY NET PIPING OVER STAIRWAYS, ELECTRICAL, TELECOMMUNICATIONS ROOMS OR ELECTRICAL EQUIPMENT IS NOT ACCEPTABLE.
38.	OFFSET WHEELCHAIR LAVATORY PERFORATED DRAIN ASSEMBLY WITH A TAILPIECE AND P-TRAP TO BE INSTALLED PARALLEL TO WALL.

COORDINATION NOTES	
1.	AS PART OF THIS CONTRACT, THE SUB-CONTRACTOR(S) AND THE GENERAL CONTRACTOR ARE RESPONSIBLE FOR COORDINATION AND VERIFICATION OF ALL EQUIPMENT SHOWN IN THE ARCHITECTURAL DRAWINGS. ANY DISCREPANCIES ARE TO BE POINTED OUT DURING THE BIDDING PROCESS. DISCREPANCIES NOT POINTED OUT DURING THE BIDDING PROCESS WILL BE RESOLVED BY THE CONTRACTOR AS PER THE ARCHITECT DETAILS AT NO ADDITIONAL COST TO THE OWNER.
2.	SEE ARCHITECTURAL DRAWINGS FOR EXACT LOCATION AND MOUNTING HEIGHT OF ALL PLUMBING FIXTURES, HOSE BIBBS, ETC. PRIOR TO ANY ROUGH-IN.
3.	NO PLUMBING UTILITIES SHALL CROSS THROUGH ELECTRICAL OR IT ROOM.
4.	COORDINATION DRAWINGS: THE PLUMBING DRAWINGS ARE DIAGRAMMATIC AND SHALL BE FOLLOWED AS CLOSELY AS POSSIBLE. THE CONTRACTOR SHALL DEVELOP AS REQUIRED DETAILED COORDINATION DRAWINGS SHOWING CLEARANCES WITH BUILDING STRUCTURE, CEILINGS HEIGHT AND OVERALL COORDINATION WITH ALL OTHER TRADES. WHENEVER THERE IS A CONFLICT, THE CONTRACTOR SHALL SHOW THE PROPOSED SOLUTION ON THE COORDINATION DRAWINGS. PIPING OFFSETS, RISES/DROPS, RE-ROUTING AND RE-DIMENSIONING SHALL BE SHOWN ON THE COORDINATION DRAWINGS FOR REVIEW AND APPROVAL BY THE ENGINEER.
5.	EXPOSED DUCTWORK AT WORKROOM AREAS HAVE PRIORITY TO PERMIT MAINTAIN SAME ELEVATION.
6.	COORDINATE ALL EXTERIOR WORK WITH CIVIL.

TESTING	
PERFORM THE FOLLOWING TESTING:	
A.	NEW DOMESTIC WATER PIPING SHALL BE HYDROSTATICALLY TESTED AT 150 PSIG FOR A PERIOD OF NO LESS THAN ONE HOUR.
B.	WASTE AND VENT PIPING SHALL BE FILLED WITH WATER TO A 10 FOOT HEAD AND ALLOWED TO STAND UNTIL THE WATER LEVEL REMAINS CONSTANT.
C.	CORRECT ALL DEFECTS DISCLOSED BY ABOVE TESTING.

PLUMBING SPECIFICATIONS	
ALL MATERIALS TO BE PROVIDED UNDER THIS CONTRACT SHALL MEET ALL THE REQUIREMENTS OF THE F.P.C. AND ALL OTHER LOCAL STANDARDS AND REGULATIONS. MATERIALS SHALL BE MANUFACTURER NAME, WEIGHT AND/OR CLASS. MANUFACTURER NAMES SHALL BE INTERPRETED AS ESTABLISHMENT OF REQUIRED TYPE, CLASS AND QUALITY. MATERIALS SHALL BE PROVIDED AS FOLLOWS:	
A.	ALL WASTE, VENT, AND STORM PIPING ABOVE GRADE SHALL BE ONE OF THE FOLLOWING TYPES (AS PER TABLE - 702.1 F.P.C.):
1.	ABOVE GROUND DRAINAGE AND VENT PIPE:
a)	SERVICE WEIGHT CAST IRON SOIL PIPE. PIPING AND FITTINGS SHALL CONFORM WITH THE REQUIREMENTS OF CISPI STANDARD 301, ASTM A-888 OR ASTM A-74.
b)	BELL AND SPIGOT, "NO HUB" SERVICE WEIGHT CAST IRON, OR WROUGHT, WITH SEALING SLEEVES AND STAINLESS STEEL COUPLING JOINTS, CLAMPS AND BOLTS. PIPING AND FITTINGS SHALL CONFORM WITH THE REQUIREMENTS OF CISPI STANDARD 301, ASTM A-888 OR ASTM A-74, LATEST ISSUE. ASME B 16.4; ASME B 10-12.
2.	UNDERGROUND BUILDING DRAINAGE AND VENT PIPE:
a)	POLYVINYL CHLORIDE (PVC) PLASTIC PIPE, SCHEDULE 40 ACCORDING TO ASTM D2665, ASTM F891, ASTM F1486, CSAB01.2.
	UNDERGROUND PVC SOIL AND WASTE DRAINAGE PIPING ACCORDING TO ASTM 02321. HANDLING OF SOLVENT CEMENT, PRIMER AND CLEANERS: COMPLY WITH PROCEDURES IN ASTM D 2235; ASTM 2661, ASTM F620.
b)	UNDERGROUND BUILDING DRAINAGE AND VENT PIPE SHALL BE AS PER TABLE 702.2 OF FBC 2020, 7TH EDITION, PLUMBING.
B.	SANITARY PIPE FITTINGS:
1.	JOINTS FOR HUBLESS PIPE AND FITTING SHALL CONFORM WITH THE F.P.C. AND THE MANUFACTURER'S INSTALLATION INSTRUCTIONS AND LOCAL CODE REQUIREMENTS. HUBLESS COUPLINGS SHALL CONFORM TO CISPI 301. JOINTS FOR HUB AND SPIGOT PIPE SHALL BE INSTALLED WITH COMPRESSION GASKETS CONFORMING TO THE REQUIREMENTS OF ASTM STANDARD C-564 AND C-1563 OR SHALL BE INSTALLED WITH LEAD AND OAKUM.
C.	DOMESTIC WATER PIPING AND FITTINGS SHALL CONFORM WITH TABLES 605.3 THRU 605.5 OF THE F.P.C. AND SHALL MEET THE FOLLOWING TERMS:
1.	COPPER TYPE 'L' SHALL BE ABOVE GROUND AND TYPE 'K' BELOW GROUND CONFORMING WITH ASME B-88, AND ASTM B-16, LEAD - FREE SOLDER.
2.	PROVIDE WATER HAMMER ARRESTOR WHERE QUICK-CLOSING VALVE ARE UTILIZED. THEY SHALL CONFORM TO ASSE 100 AND BE INSTALLED AS PER MANUFACTURER'S SPECIFICATION.
3.	INSULATE ALL HOT WATER AND HOT WATER RETURN PIPING WITH 1" FIBERGLASS WITH FACTORY JACKET OR 1" THICK FLEXIBLE FOAM INSULATION (ARMAFLEX). FLEXIBLE FOAM INSULATION SHALL NOT BE SPLIT, AND SHALL BE TAPED AT BUTT JOINTS.
D.	WALL CLEANOUTS:
1.	JOSAM SERIES 58750 WITH ACCESS COVER OR EQUAL.
2.	PROVIDE CHROME PLATED BRASS ESCUTCHEONS WITH LOCKING SCREW WHERE PIPES PASS THROUGH FINISHED WALLS.
3.	A CLEANOUT SHALL BE PROVIDED AT THE BASE OF EACH SOIL AND WASTE STACK.
E.	VALVES:
1.	LOCATION OF FULL-OPEN VALVES AS PER FFC 606.1
2.	LOCATION OF SHUT-OFF VALVES AS PER FFC 606.2
3.	QUARTER TURN BALL VALVES, RATED FOR 150 PSI STEAM. MANUFACTURED BY NIBCO, SCOTT, STOCKHAM OR APPROVED EQUAL.
4.	PROVIDE STOP VALVES AT ALL PLUMBING FIXTURES. EXPOSED STOP VALVES SHALL BE CHROME PLATED.
5.	LEAD-FREE
F.	PLUMBING FIXTURES:
1.	SEE PLUMBING FIXTURE SCHEDULE FOR FIXTURE SPECIFICATIONS.
2.	PLUMBING FIXTURES SHALL COMPLY WITH WATER CONSERVATION REGULATION F5.553.14.
3.	EXPOSED HOT WATER PIPING SERVING PLUMBING FIXTURES SHALL BE PROPERLY INSULATED.
G.	INSULATION:
1.	CONDENSATE DRAIN PIPING: FOAM PLASTIC THERMAL INSULATION WITH BUILT-IN VAPOR BARRIER RATED SELF-EXTINGUISHING. PROVIDE ALUMINUM JACKETING EXPOSED INSULATION TO OUTDOOR CONDITIONS. APPROVED MANUFACTURERS: ARMAFLEX OR KLEFEX.
2.	HOT WATER PIPING (HOT, TEMPERED & RE-CIRCULATING): OWENS-CORNING TYPE ASJ/SSL-II. MIN. 1" THICK FIBERGLASS HEAVY DUTY WITH FACTORY-APPLIED ALL PURPOSE FOIL VAPOR BARRIER JACKET COMPLYING WITH ASTM K547, TYPE I AND FLAME/SPOKE SPREAD 25/50.
H.	IDENTIFICATION AND LABELING:
1.	ALL PIPING EXPOSED OR CONCEALED IN ACCESSIBLE SPACES AND CEILINGS SHALL BE PROVIDED WITH COLOR BANDS, LEGENDS AND FLOW ARROWS IN ACCORDANCE WITH ANSI A13.1-1996. THESE SHALL BE PLACED ON LINES, INTERVALS AS DIRECTED NOT EXCEEDING 25FT, AT THE BEGINNING AND TERMINATION OF EACH RUN AND AT EACH SIDE OF A WALL OR PARTITION THROUGH WHICH THE PIPE PASSES.
2.	ALL EQUIPMENT SHALL BE IDENTIFIED WITH THE SAME DESIGNATION SHOWN ON THE DRAWINGS. IDENTIFICATION SHALL BE WITH ENGRAVED PLASTIC NAMEPLATES USING 1" LETTERS ON EQUIPMENT HAVING CABINETS AND WITH BRASS TAGS WHERE CABINETS DO NOT EXIST.
3.	COLORS OF LABELS AND LETTERING SHALL BE AS SELECTED BY THE OWNER.
4.	ALL PLUMBING UTILITIES SHALL BE FULLY LABELED PER REQUIREMENTS HEREIN.

MAXIMUM FLOW RATES & CONSUMPTION FOR FIXTURES	
2020 PLUMBING FLORIDA BUILDING CODE - SECTION 604.4; TABLE 604.4	
PLUMBING FIXTURE OR FIXTURE FITTING	MAXIMUM FLOW RATE OR QUANTITY
LAVATORY, PRIVATE	2.2 GPM AT 60 PSI
LAVATORY, PUBLIC (METERING)	0.25 GALLON PER METERING CYCLE
LAVATORY, PUBLIC (OTHER THAN METERING)	0.5 GPM AT 60 PSI
SHOWER HEAD (a)	2.5 GPM AT 80 PSI
SINK FAUCET	2.2 GPM AT 60 PSI
URINAL	1.0 GALLONS PER FLUSHING CYCLE
WATER CLOSET	1.6 GALLONS PER FLUSHING CYCLE
NOTES:	
a.	A HAND-HELD SHOWER SPRAY IS A SHOWER HEAD.
b.	CONSUMPTION TOLERANCES SHALL BE DETERMINED FROM REFERENCED STANDARDS.
4.	REFER TO PLUMBING FBC SECTION 604.4 FOR EXCEPTIONS.

PLUMBING FIXTURE SCHEDULE						
MARK	DESCRIPTION	WASTE	VENT	CW	HM	MANUFACTURER
P-2	WATER CLOSET ELONGATED BOWL (A.D.A. COMPLIANT)	4"	2"	1-1/2"	-	A. WATER CLOSET: AMERICAN STANDARD, WALL MOUNTED, VITREOUS CHINA, SIPHON JET, ELONGATED BOWL, 1.28 GALLON FLUSH, 1-1/2" TOP SPUD, CONDENSATION CHANNEL, FULLY GLAZED 2-1/4" TRAPWAY. PROVIDE BOLT CAPS. TOP OF THE SEAT 18". MODEL AFKALL MILLENNIUM #3951.00, WHITE. B. FLUSH VALVE: EXPOSED CHROME PLATED, QUIET DIAPHRAGM TYPE, NON OPEN HANDLE, ESCUTCHEON, INTEGRAL SCREWDRIIVER STOP AND VACUUM BREAKER, 1.28 GPF. ZURN Z600AV-HET. C. TUBLET SEAT: OLSONITE, OPEN FRONT LESS COVER, ELONGATED, HEAVY-DUTY, SOLID PLASTIC, FOUR MOLDED-IN BUMPERS, SELF SUSTAINING CHECK HINGES WITH STAINLESS STEEL POSTS AND FINTELS. MODEL #555CT, WHITE. D. CARRIER: ZURN, ZN202-ND4, ZN202-ND4; DURA-COATED CAST IRON, ADJUSTABLE SIPHON JET CARRIER SYSTEM.
P-5	LAVATORY (A.D.A. COMPLIANT)	2"	2"	1/2"	1/2"	A. LAVATORY: AMERICAN STANDARD "LUCERNE", WALL HUNG, VITREOUS CHINA, 20-1/2" X 18-1/2", SINGLE CENTER FAUCET HOLE, FRONT OVERFLOW, DRILLED FOR CONCEALED ARM SUPPORT, 32" RIM HEIGHT. MODEL 0365.012, WHITE. B. FAUCET: SINGLE LEVER FAUCET WITH AERATOR WITH 0.5 GPM FLOW RESTRICTOR AMERICAN STANDARD #2000.100. C. DRAIN: MCGUIRE 155A, GRID DRAIN WITH 1-1/2" TAILPIECE. D. TRAP: MCGUIRE 8772, 1-1/2" SEMI-CAST BRASS P-TRAP. E. SUPPLY: MCGUIRE LF206CCK, SUPPLIES TO WALL, CHROME NIPPLE WITH STOP. F. CARRIER: MCGUIRE 155-WC. OFFSET TAILPIECE.
P-8	ELECTRIC WATER COOLER/ADA	1-1/2"	1-1/2"	1/2"	-	A. ELECTRIC WATER COOLER/ADA: ELKAY L25TL8LC, SELF CONTAINED FILTERED WALL MOUNT BI-LEVEL WATER COOLER, SHALL DELIVER 8 GPH OF 50°F DRINKING WATER AT 40°F AMBIENT AND 80°F INLET WATER. LEAD FREE DESIGN. SELF CLOSING EAST TOUCH PUSHBAR CONTROLS ON FRONT AND SIDES. LIGHT GRAY GRANITE. B. TRAP: MCGUIRE 8772, 1-1/2" IN SEMI-CAST BRASS P-TRAP. C. SUPPLY: MCGUIRE 2165, SUPPLY TO WALL CHROME NIPPLE WITH STOP. D. CARRIER: ZURN Z125, DURA COATED RECTANGULAR STEEL UPRIGHTS WITH WELDED FEET, ADJUSTABLE SUPPORT PLATES. E. SATIN FINISH STAINLESS STEEL APRON AND CABINET.
P-11	WALL HYDRANT	-	-	3/4"	-	WALL HYDRANT: J.R. SMITH, MODEL: #55090T. BRONZE NICKEL PLATED QUARTER TURN NON-FREEZE HYDRANT WITH 3/4" HOSE CONNECTION, INTEGRAL VACUUM BREAKER WITH VANDAL RESISTANT CAP AND 1" HANDLE KEY.
P-12	WALL FAUCET	-	-	3/4"	-	WALL FAUCET: ZURN, MODEL: Z134-BFP EXPOSED, ANTI-SIPHON WALL FAUCET, HOSE CONNECTION BACKFLOW PREVENTER (DOUBLE, INDEPENDENT CHECK, FORCE-LOADED BACKFLOW PREVENTER), BRONZE INTERIOR COMPONENTS, VANDAL-RESISTANT, ROUGH BRONZE EXTERIOR AND 3/4" MALE HOSE CONNECTION.

NOTES:
1. CONTRACTOR IS RESPONSIBLE TO COORDINATE ALL FIXTURES SELECTIONS WITH END-USER, FACILITIES, ARCHITECT, AND OBTAIN THEIR APPROVAL PRIOR TO ORDERING.
2. FOLLOW MANUFACTURER'S INSTALLATION SPECIFICATIONS AND INSTRUCTION.
3. THE MAXIMUM WATER CONSUMPTION FLOW RATES AND QUANTITIES FOR ALL PLUMBING FIXTURES AND FITTINGS SHALL BE IN ACCORDANCE WITH TABLE 604.4 OF THE PLUMB FBC.
4. CONTRACTOR IS RESPONSIBLE TO PROVIDE ALL REQUIRED ACCESSORIES FOR A COMPLETE INSTALLATION.
5. COORDINATE WITH ARCHITECT INSTALLATION HEIGHT ON ALL FIXTURES PRIOR TO ANY ROUGH-IN.
6. COMPLY WITH SEC. 8.31 OF MAX FLOW AND WATER CONSUMPTION FOR PLUMBING FIXTURES, FIXTURE FITTINGS AND APPLIANCES.

PLUMBING DRAIN SCHEDULE							
MARK	DESCRIPTION	LOCATION	MANUFACTURER	MODEL	TYPE	WASTE	REMARKS
P-14	FLOOR DRAIN	FINISHED AREAS	ZURN	#2415-S-P	-	3"	DURA-COATED CAST IRON BODY WITH BOTTOM OUTLET, COMBINATION INVERTIBLE MEMBRANE CLAMP, ADJUSTABLE COLLAR WITH TYPE 5 POLISHED NICKEL BRONZE SQUARE STRAINER. 1/2" TRAP PRIMER CONNECTION.

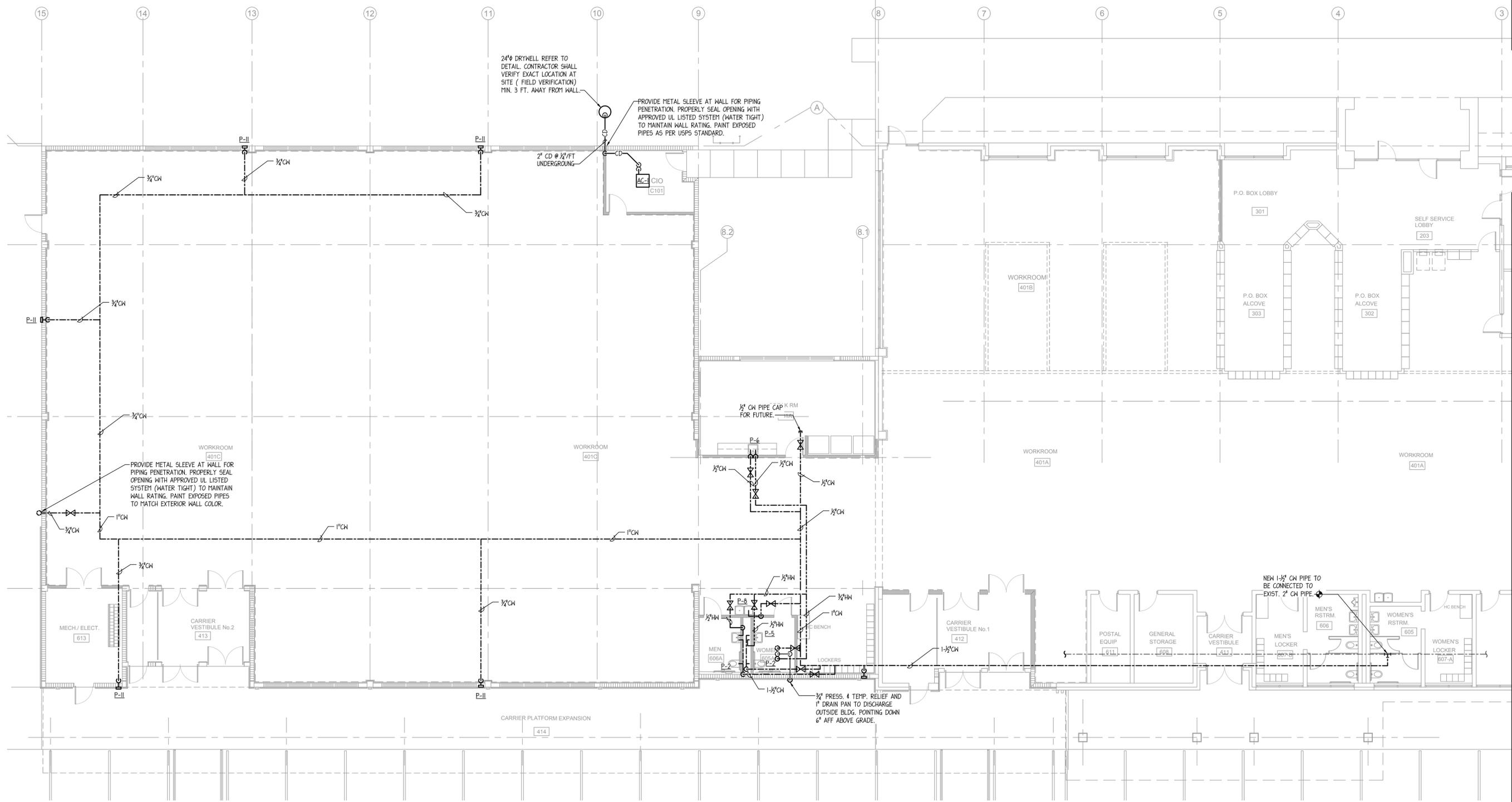
ELECTRIC WATER HEATER SCHEDULE						
HEATER No.	MANUFACTURER #	MODEL No.	STORAGE CAPACITY (GALLONS)	TOTAL WATTS	VOLTS/PHZ	REMARKS
EW#1	LOCHINVAR	EJ1020FS	20	2,500	208/1/60	LOCHINVAR, 20 GAL. CAPACITY, ABOVE RESTROOM, SINGLE ELEMENTS, 2,500 WATTS.

HEATER SHALL COMPLY WITH THE LATEST ENERGY-FBC.
NOTES:
1. PROVIDE ENGINEERED WALL MOUNTED PLATFORM WITH AUXILIARY DRAIN SYSTEM, GALVANIZED CONSTRUCTION, INCLUDING THREADED HANGER RODS, 1" DRAIN FITTING, ETC. TO SUPPORT WATER HEATER.
MFR: HOLIDRITE, MDL: #50-SH4P (RATED FOR UP TO 600LBS TOTAL OPERATING WEIGHT). INSTALL PER MANUFACTURER INSTALLATION INSTRUCTION. CONTRACTOR SHALL PROVIDE ENGINEERED CALCULATIONS FOR SUPPORTING HEATER AS PART OF THEIR SUBMITTAL FOR A/E REVIEW AND APPROVAL.
2. PROVIDE MIXING VALVE ASSE 1070.
3. REFER TO DETAIL ON SHEET P4.1.

WATER HAMMER ARRESTOR SELECTOR CHART						
ABSORBOTRON TYPE NO.	75001	75002	75003	75004	75005	75006
	75001-S	75002-S	75003-S	75004-S	75005-S	75006-S
P.D.I. SYMBOLS *	A	B	C	D	E	F
FIXTURE-UNITS RATING	1-11	12-32	33-60	61-113	114-154	155-330

* CLASSIFICATION ESTABLISHED BY THE PLUMBING AND DRAINAGE INSTITUTE "STANDARD P.D.I. - W420"

PLUMBING DRAWINGS LIST	
P0.01	PLUMBING ABBREVIATIONS SYMBOLS & GENERAL NOTES
P2.01	PLUMBING FLOOR PLAN - DOMESTIC WATER
P2.02	PLUMBING FLOOR PLAN - SANITARY
P2.03	PLUMBING FLOOR PLAN - STORM DRAIN & CONDENSATE
P3.01	PLUMBING ISOMETRIC RISER
P3.02	PLUMBING STORM DRAIN ISOMETRIC RISER
P4.01	PLUMBING DETAILS
P4.02	PLUMBING DETAILS



24" DRYWELL REFER TO
DETAIL. CONTRACTOR SHALL
VERIFY EXACT LOCATION AT
SITE (FIELD VERIFICATION)
MIN. 3 FT. AWAY FROM WALL.

PROVIDE METAL SLEEVE AT WALL FOR PIPING
PENETRATION. PROPERLY SEAL OPENING WITH
APPROVED UL LISTED SYSTEM (WATER TIGHT)
TO MAINTAIN WALL RATING. PAINT EXPOSED
PIPES AS PER USFS STANDARD.

PROVIDE METAL SLEEVE AT WALL FOR
PIPING PENETRATION. PROPERLY SEAL
OPENING WITH APPROVED UL LISTED
SYSTEM (WATER TIGHT) TO MAINTAIN
WALL RATING. PAINT EXPOSED PIPES
TO MATCH EXTERIOR WALL COLOR.

3/4" PRESS. & TEMP. RELIEF AND
1" DRAIN PAN TO DISCHARGE
OUTSIDE BLDG. POINTING DOWN
6" AFF ABOVE GRADE.

NEW 1-1/2" CW PIPE TO
BE CONNECTED TO
EXIST. 2" CW PIPE.

1 DOMESTIC WATER FL PLAN - NEW WORK
SCALE: 1/8" = 1'-0"

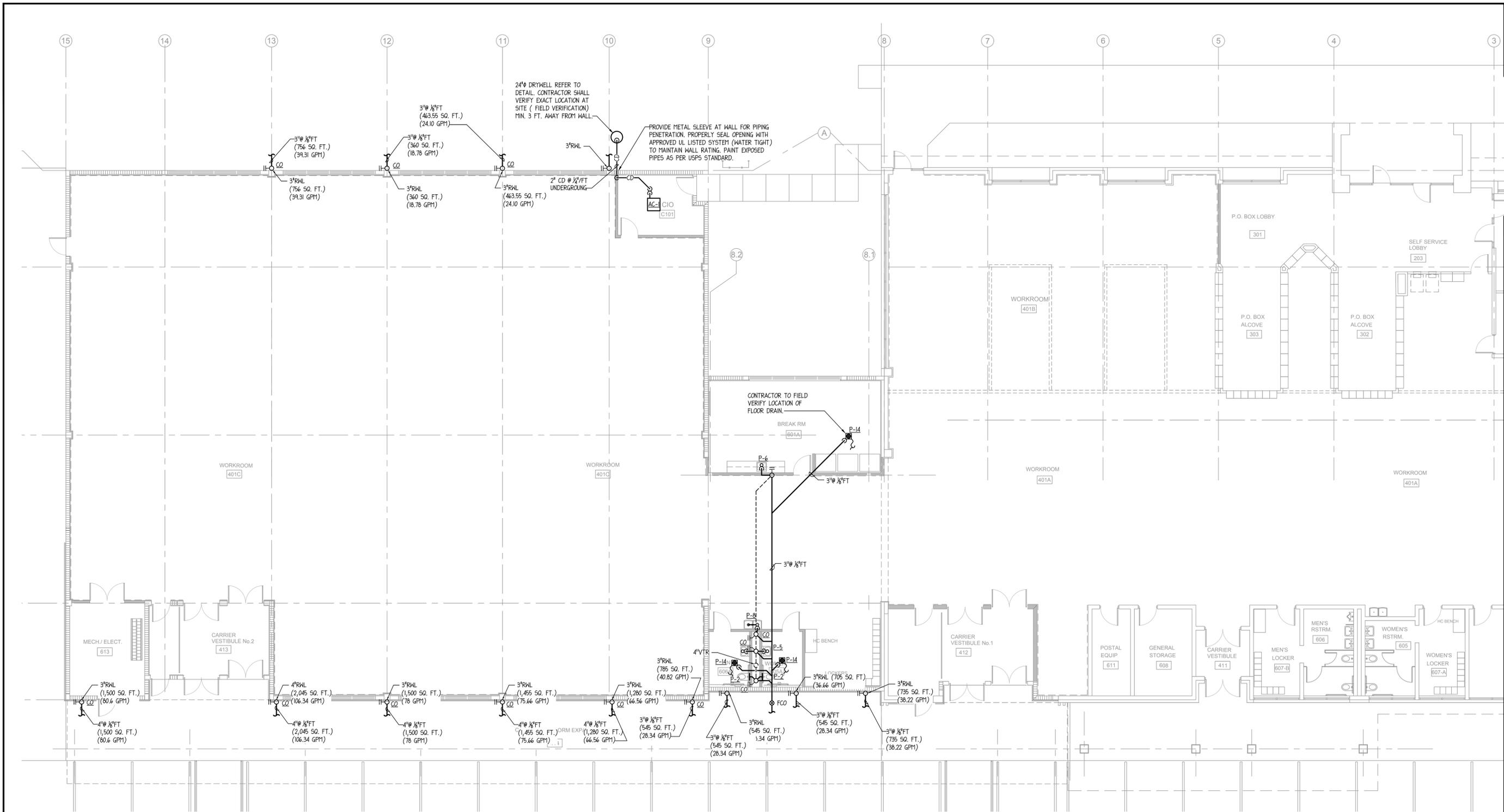
Copyright 1991-2015, United States Postal Service
JOSE E. BLANCO - ARCHITECT
ARCHITECTURE / PLANNING / EXHIBIT DESIGN
2673 SW 14th CT.
DEERFIELD BEACH, FLORIDA 33442
eMail: jblancoarchitects@gmail.com

ESD
CONSULTING ENGINEERS
355 NW 95th Court, Unit 5, Deerfield Beach, Florida 33421
Phone: 352.712.1100 (352) 468-9777
Fax: (352) 468-9778
www.esdcre.com

USPS DAVENPORT
BUILDING & PARKING EXPANSION
1 SOUTH BLVD. E.
DAVENPORT, FLORIDA 33837



P2.01
Scale: NOTED Date: 06/16/22
Project: 21-23
USPS File Number: E54635
Revisions:



1 GRAVITY PIPING FLOOR PLAN - NEW WORK
SCALE: 1/8" = 1'-0"

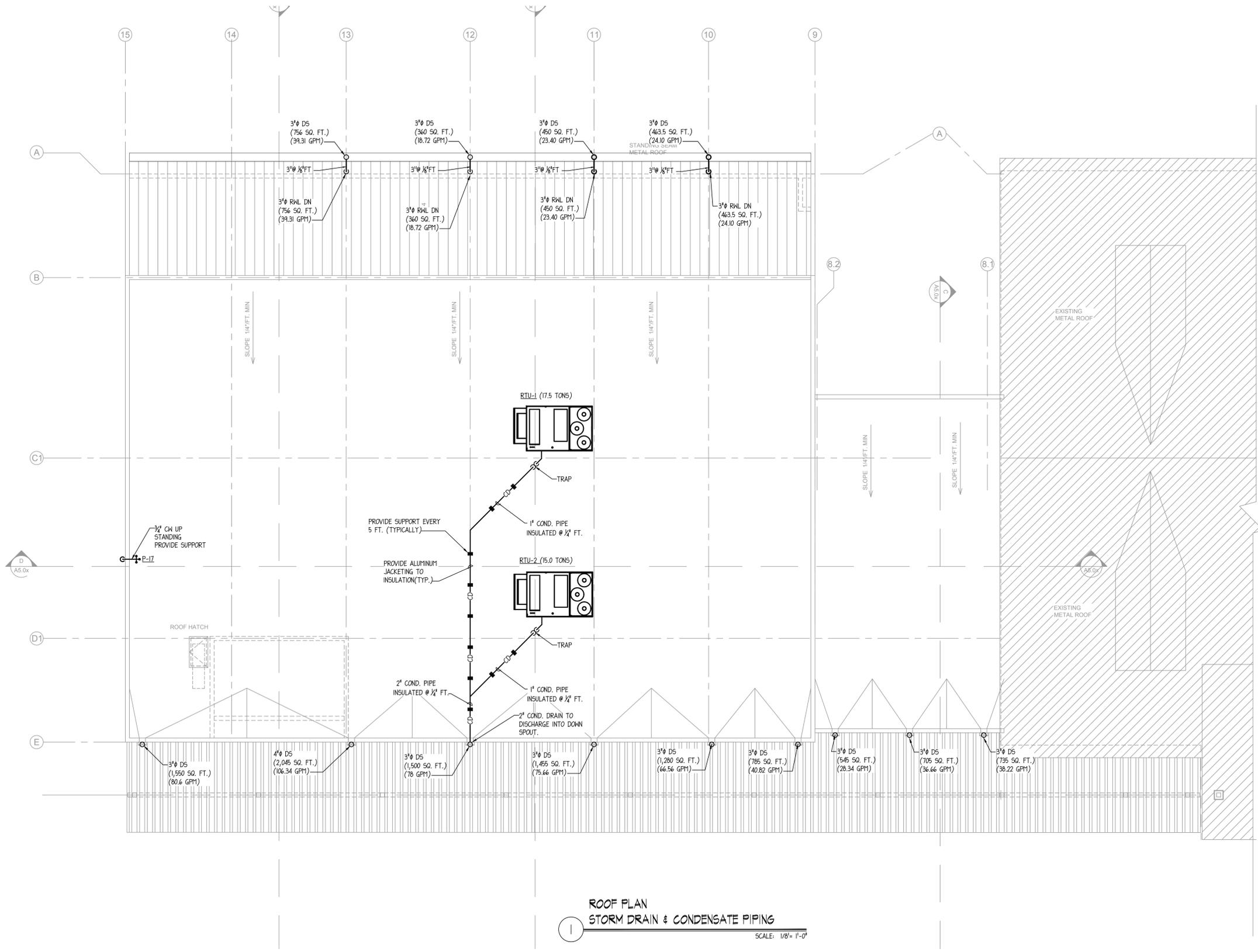
Copyright 1991-2015, United States Postal Service
JOSE E. BLANCO - ARCHITECT
 ARCHITECTURE / PLANNING / EXHIBIT DESIGN
 2673 SW 14th CT.
 DIERFIELD BEACH, FLORIDA 33442
 eMail: jblanco@jebarchitect.com

ESD
 CONSULTING ENGINEERS
 955 NE 95th Court, Unit 5, Doral,
 Florida 33172 Tel: (305) 466-9777
 Fax: (305) 466-9778
 www.esdcorp.com

USPS DAVENPORT
 BUILDING & PARKING EXPANSION
 1 SOUTH BLVD. E.
 DAVENPORT, FLORIDA 33837

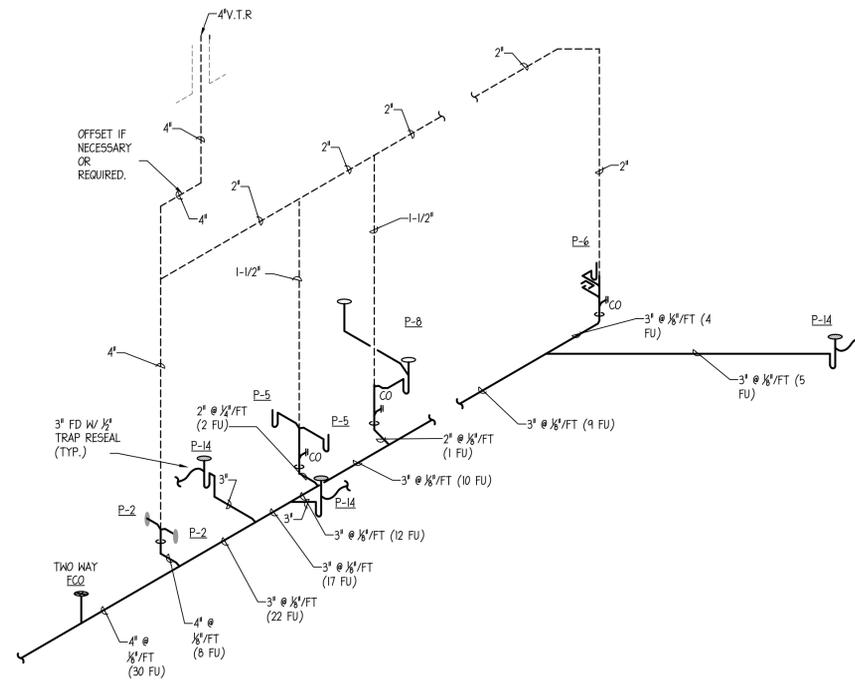


P2.02
 Scale: NOTED Date: 06/16/22
 Project: 21-23
 USPS File Number: E54635
 Revisions:
 1

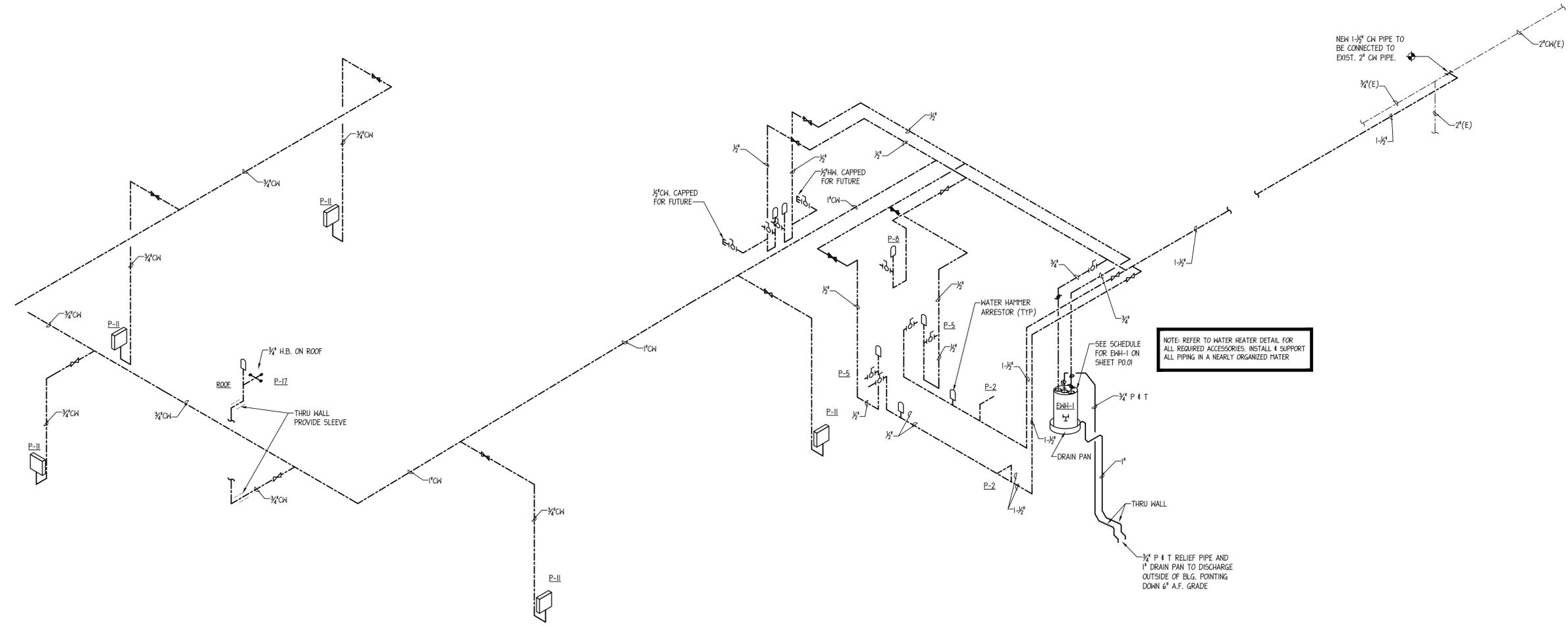


ROOF PLAN
STORM DRAIN & CONDENSATE PIPING

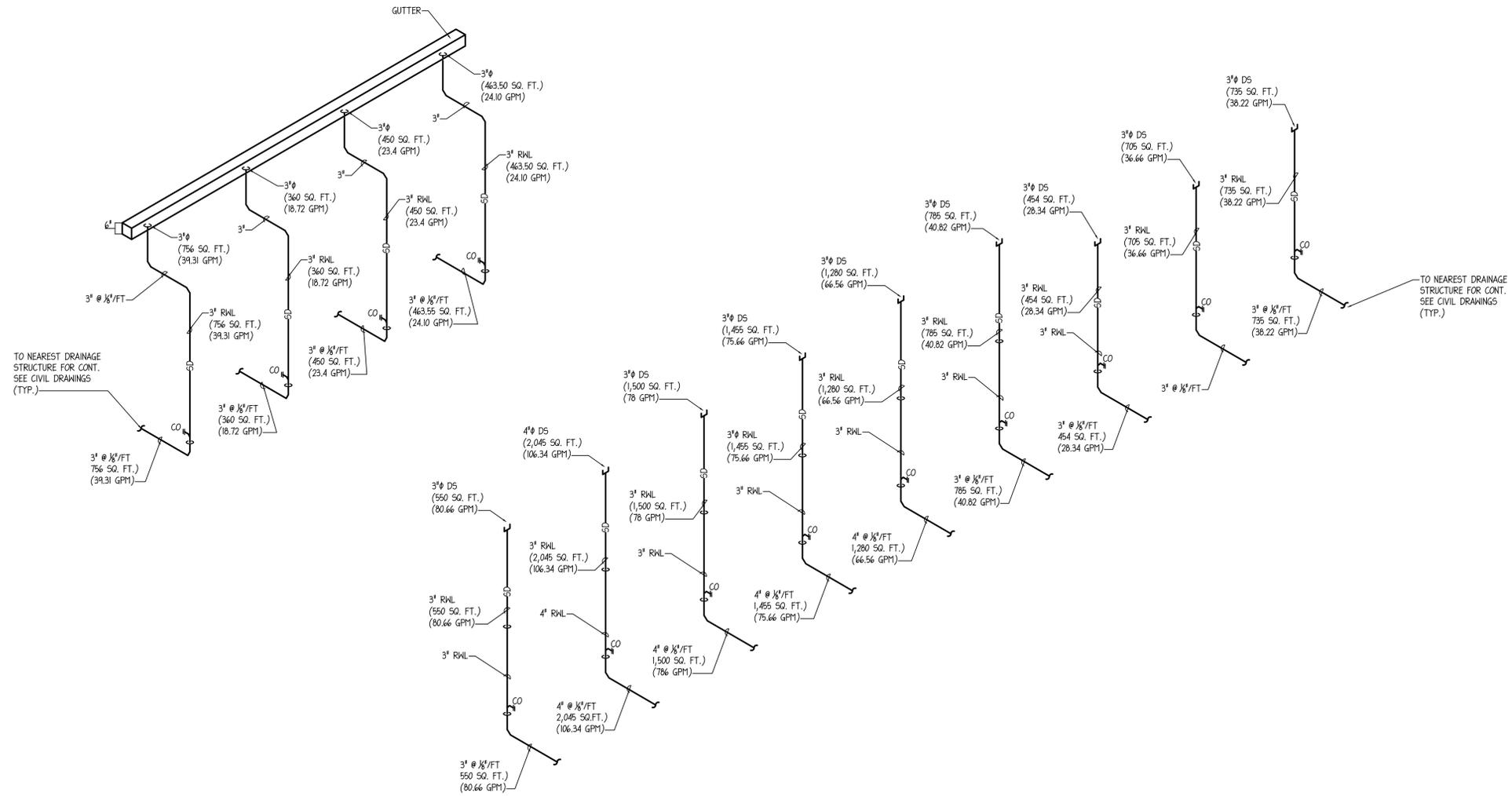
SCALE: 1/8" = 1'-0"



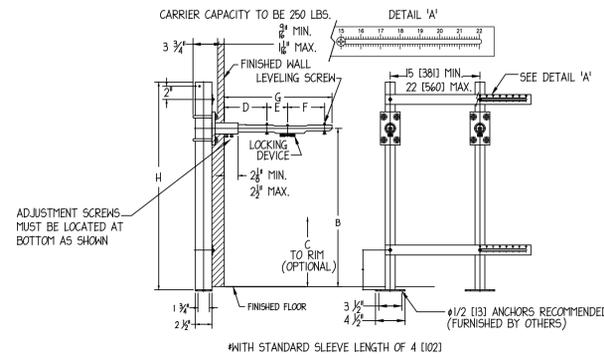
1 SANITARY ISOMETRIC - RISER DIAGRAM
SCALE: N.T.S.



2 DOMESTIC WATER ISOMETRIC RISER DIAGRAM
SCALE: N.T.S.

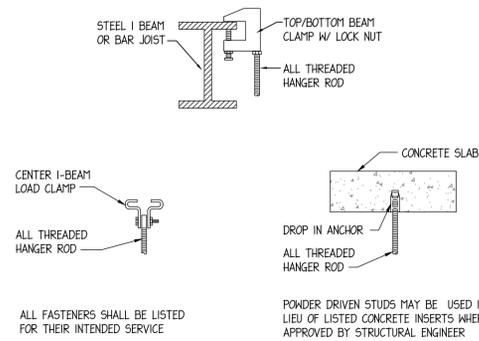


1 STORM DRAIN ISOMETRIC - RISER DIAGRAM
SCALE: N.T.S.

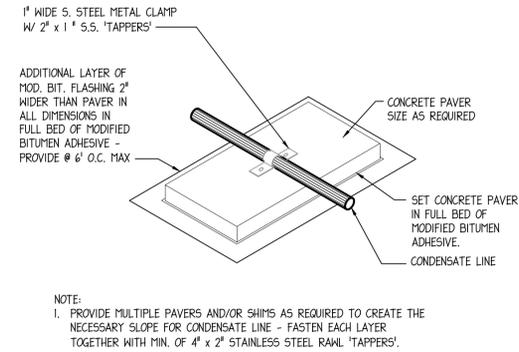


- NOTES:
- ZURN SERIES Z1231-EZ OR APPROVED EQUAL.
 - ZURN FLOOR SUPPORT CONCEALED LAVATORY CARRIER COMPLETE WITH DURA-COATED RECTANGULAR STEEL UPRIGHTS WITH WELDED FEET, CAST IRON ADJUSTABLE HEADERS, CONCEALED ARMS, STEEL SLEEVES, ADJUSTING BARS AND MOUNTING FASTENERS.
 - DIMENSIONAL DATA FOR LETTER DIMENSIONS DEPENDS UPON FIXTURE TYPE AND MANUFACTURER. CONTRACTOR SHALL REFER TO ZURN CARRIER / FIXTURE ROUGH-IN INFORMATION FOR SPECIFIC ROUGH-IN DIMENSIONS.
 - CARRIER CAPACITY 250 LBS.

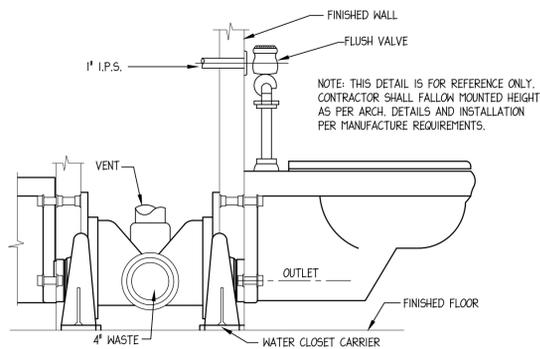
D1 TYPICAL LAVATORY CARRIER DETAIL
SCALE: N.T.S.



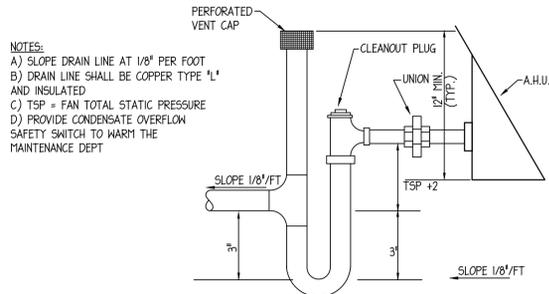
D2 FASTENERS
SCALE: N.T.S.



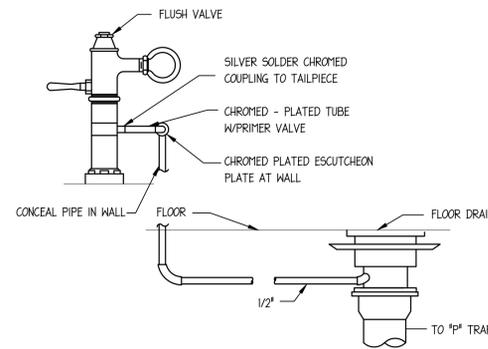
D3 TYPICAL CONDENSATE PIPE ROOF SUPPORT DETAIL
SCALE: N.T.S.



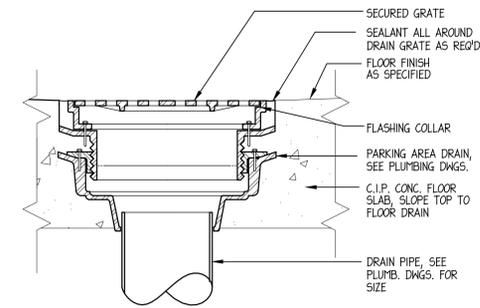
D4 WALL MOUNTED WATER CLOSET
SCALE: N.T.S.



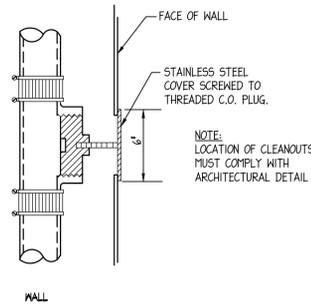
D5 CONDENSATE TRAP DETAIL
SCALE: N.T.S.



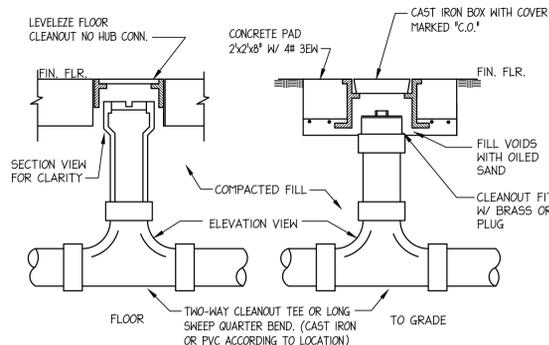
D6 TRAP RESEAL DETAIL
SCALE: N.T.S.



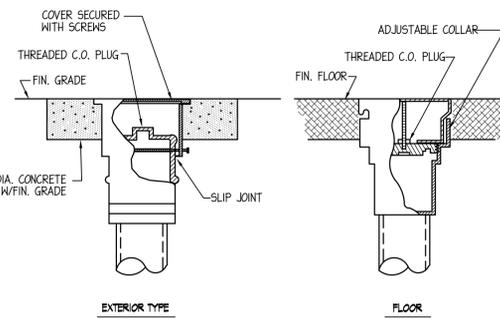
D7 FLOOR DRAIN DETAIL
SCALE: N.T.S.



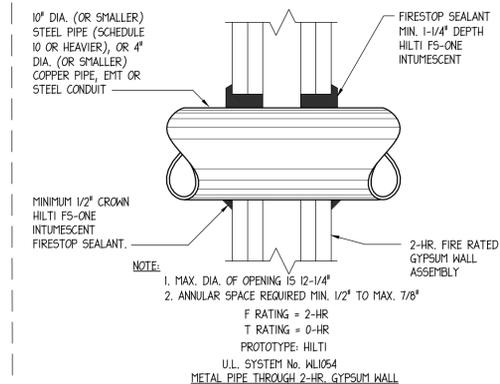
D8 TYPICAL WALL CLEANOUT DETAIL
SCALE: N.T.S.



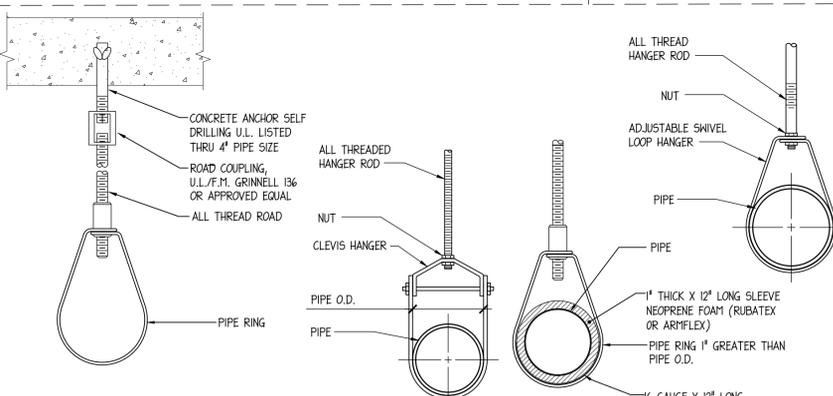
D9 TYPICAL TWO WAY CLEANOUT DETAIL
SCALE: N.T.S.



D10 TYPICAL FLOOR CLEANOUT DETAIL
SCALE: N.T.S.



D11 TYPICAL WALL PIPE PENETRATION DETAIL
SCALE: N.T.S.



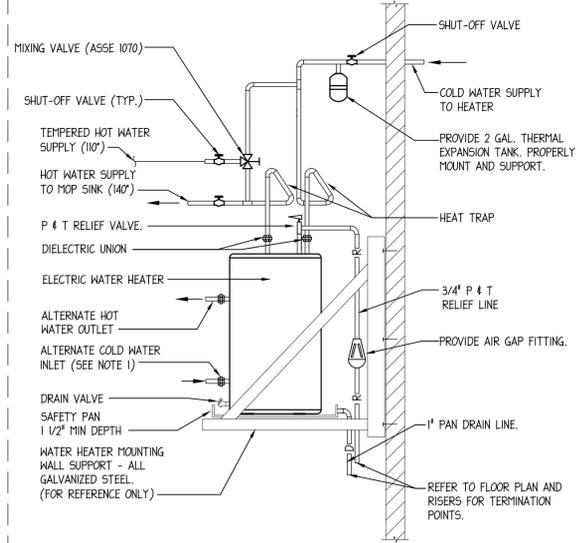
- NOTES:
- ALL HANGER RODS, HANGERS, FASTENERS, ETC. SHALL BE PROVIDED WITH FACTORY APPLIED HOT DIPPED GALVANIZING.
 - ALL HANGERS SHALL BE LISTED FOR THEIR INTENDED SERVICE.

NOMINAL SIZE (INCHES)	MAX SPACING (FEET)	ROD SIZE (INCHES)
3/4"	4'-0"	3/8"
1"	5'-0"	
1 1/4"	6'-0"	
1 1/2"	7'-0"	
2"	7'-0"	1/2"
2 1/2"	7'-0"	
3"	7'-0"	
4"	7'-0"	
6"	7'-0"	1/2"
8"	7'-0"	

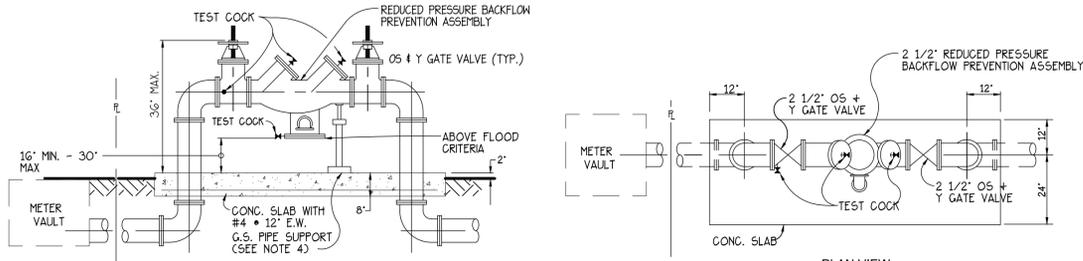
D12 PIPE HANGER DETAILS
SCALE: N.T.S.

NOTES:

1. INSTALL A VACUUM RELIEF ANTI SIPHON DEVICE (WATTS NO. 36A) IN THE COLD WATER INLET WHEN USING THE SIDE WATER CONNECTION.
2. AL PIPING SHALL BE COPPER (PVC NOT ACCEPTABLE).
3. MIXING VALVE SHALL CONFORM TO ASSE 1070, LIMITED TO A MAXIMUM DISCHARGE TEMPERATURE OF 110°F.
4. HOT WATER HEATER MOUNTING HEIGHT SHALL BE COORDINATED WITH ARCHITECT TO AVOID INTERFERENCE WITH SERVICE SINK AND ACCESSIBILITY.
5. ALL HOT WATER SUPPLY SHALL BE PROPERLY INSULATED (1") AND LABELED PER SPECIFICATIONS.
6. CONTRACTOR SHALL PROPERLY SUPPORT IN AN ORGANIZE CONFIGURATION & LABEL THE PIPING SYSTEM INCLUDING ACCESSORIES. ALL DEVICES SHALL BE ACCESSIBLE FOR PROPER SERVICEABILITY.
7. WATER HEATER SHOULD BE MOUNTED FROM WALL. CONTRACTOR SHALL PROVIDE ENGINEERED CALCULATIONS FOR SUPPORTING HEATER AS PART OF THEIR SUBMITTAL FOR A/E REVIEW AND APPROVAL & COORDINATE WITH G.C WALL REINFORCEMENT AS REQUIRED TO SUPPORT HEATER.



D1 TYPICAL WATER HEATER DETAIL
SCALE: N.T.S.



D2 FOR REFERENCE ONLY
REDUCED PRESSURE BACKFLOW PREVENTER
SCALE: N.T.S.

NOTES:

1. CONTRACTOR SHALL CAREFULLY COORDINATE WITH CIVIL DRAWINGS.
1. THE ASSEMBLY SHALL BE INSTALLED WITH MINIMUM HORIZONTAL CLEARANCES OF 30 INCHES FREE FROM OBSTRUCTIONS IN ALL DIRECTIONS.
2. GUARD POSTS SHALL BE INSTALLED IF THE ASSEMBLY IS EXPOSED TO POSSIBLE DAMAGE FROM VEHICULAR TRAFFIC, AS DETERMINED BY THE DEPARTMENT.
3. THE ASSEMBLY SHALL BE INSTALLED IN AN ACCESSIBLE LOCATION, APPROVED BY THE DEPARTMENT.
4. ADJUSTABLE PIPE SADDLE SUPPORT (GRINNELL FIG. 264, OR EQUAL) SIZED TO FIT CURVATURE OF DOUBLE DETECTOR CHECK VALVE ASSEMBLY, WITH GALVANIZED STEEL PIPE AND FLOOR FLANGE. ATTACH FLOOR FLANGE TO CONCRETE SLAB WITH GALVANIZED EXPANSION BOLTS.
5. THE DEPARTMENT SHALL HAVE UNRESTRICTED AND CONTINUOUS ACCESS TO THE BACKFLOW PREVENTION ASSEMBLY.
6. PIPING 2-1/2\"/>