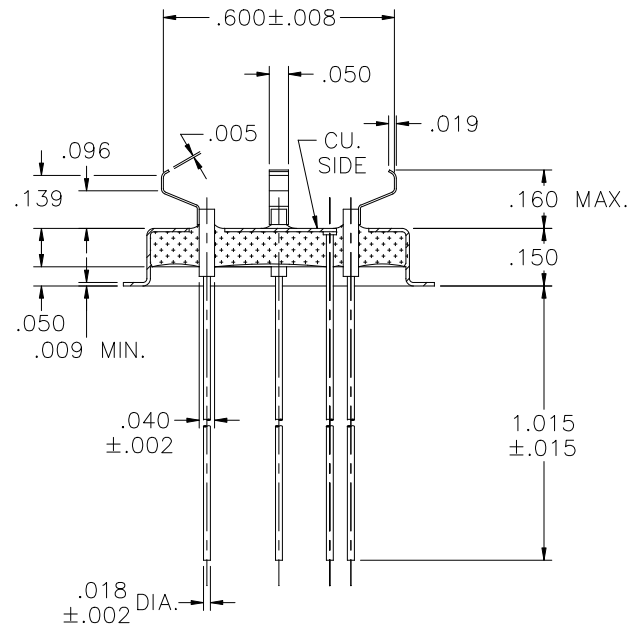
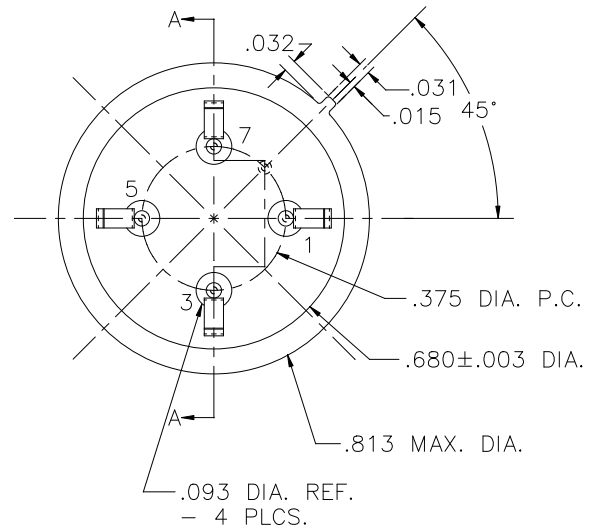


| REV | DESCRIPTION OF REVISION | E.C.N. | BY | APPROVED | DATE |
|-----|-------------------------|--------|----|----------|------|
|-----|-------------------------|--------|----|----------|------|




**MATERIAL:**

EYELET- 30/70 COPPER CLAD KOVAR.  
 GLASS - 7052 OR EQUAL, NATURAL.  
 LEADS - ASTM F-15 ALLOY, KOVAR.  
 MOUNT- 200 NICKEL, 1/2 HARD.

**PLATING:**

1. OPTION: RoHS COMPLIANT ELECTROLESS NICKEL PLATE OF 100 MICROINCHES MINIMUM FINAL PLATE.
2. OPTION: RoHS COMPLIANT ELECTROLESS NICKEL PLATE OF 100 MICROINCHES MINIMUM FOLLOWED BY A RoHS COMPLIANT LEAD FREE SOLDER COAT, ON LEADS ONLY.
3. OPTION: RoHS COMPLIANT ELECTROLESS NICKEL PLATE OF 100 MICROINCHES MINIMUM FOLLOWED BY A GOLD FLASH OF .99999 PURE 24 KARAT GOLD UP TO A MAX. OF 8 MICROINCHES.

|                                 |   |                        |           |  |   |  |
|---------------------------------|---|------------------------|-----------|--|---|--|
| DRAWN BY:<br>E.T.W.<br>04-25-06 |   | MATERIAL:<br>SEE ABOVE |           | TOLERANCING PER ANSI Y14.5<br>.X ±.005 .XXX ±.005<br>.XX ±.005 ANG ±5°<br>UNLESS OTHERWISE SPECIFIED |   | <br><b>Legacy Technologies Inc.</b><br>6700 W. 47th TERR.<br>MISSION, KS. 66203<br>TEL: 913-432-2487<br>FAX: 913-432-0570 |
| CHECKED BY:                     | APP. SPECS  | SUPERSEDES             | NEXT ASSY | SCALE:<br>N.T.S.   | FINISH:<br>UNLESS OTHERWISE SPECIFIED   |  |
| APPROVED BY:                    | TITLE:<br>HC-40/U COLD WELD HEADER<br>W / CLAW MOUNT NICKEL |                        |           |  | PART NUMBER:<br>CW-40-BW-C-CMN550A RoHS |  |
|                                 |   |                        |           | FILE:<br>FC00032A  | PAGE<br>1 OF 1                          |  |