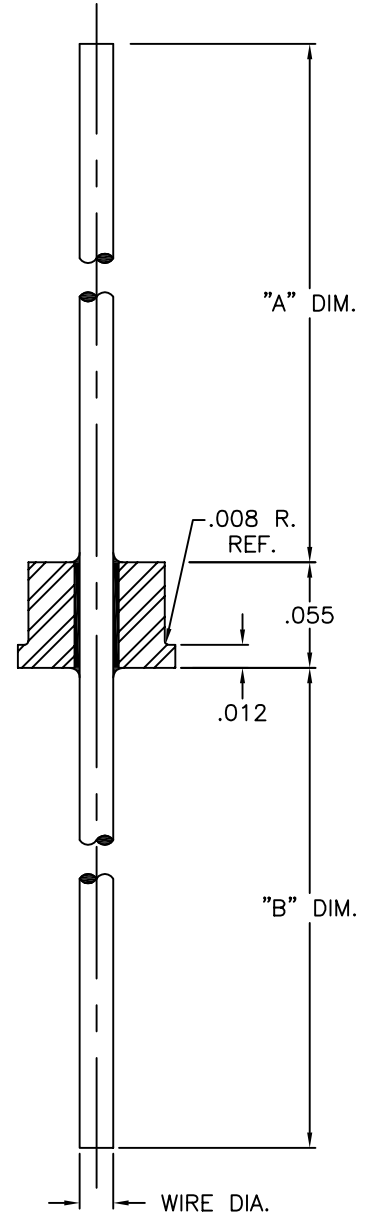
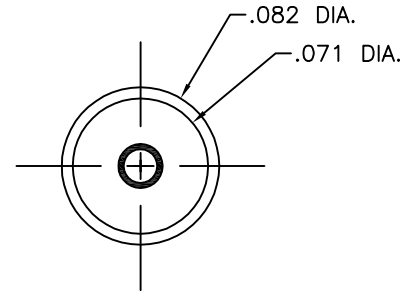


REV	DESCRIPTION OF REVISION	E.C.N.	BY	APPROVED	DATE
A	ADDED FT-085-Z		E.T.W.	E.T.W.	09-05-02



FT-085-Z T16	.727±.010	.770±.010	.019/.016
FT-085-U T16	.230±.010	.180±.010	.019/.016
FT-085-T T16	.505±.010	.180±.010	.019/.016
PART NO.	"A" DIM.	"B" DIM.	WIRE DIA.

MATERIAL:

EYELET - ASTM F-15 ALLOY, KOVAR.
 LEAD - ASTM F-15 ALLOY, KOVAR.
 BRAZE - BT VTG CU. AG. EUTECTIC.

PLATING:

1. PLATE PER MIL-STD QQ-S-571-D TIN LEAD ALLOY.

DRAWN BY: TINA MOSS 10-31-95	MATERIAL: SEE ABOVE			TOLERANCING PER ANSI Y14.5 .X ± .005 .XXX ± .005 .XX ± .005 ANG ± 5 UNLESS OTHERWISE SPECIFIED		6700 W. 47th TERR. MISSION, KS. 66203 TEL: 913-432-2487 FAX: 913-432-0570	PART NUMBER: SEE PART NO.	A
CHECKED BY: E.T.W. 10-31-95	APP. SPECS	SUPERSEDES	NEXT ASSY	SCALE: 10:1	FINISH: UNLESS OTHERWISE SPECIFIED <input checked="" type="checkbox"/>			
APPROVED BY:	TITLE: FT-085 GROUND SERIES FEED THRU				FILE: EA00068	PAGE	1 of 1	