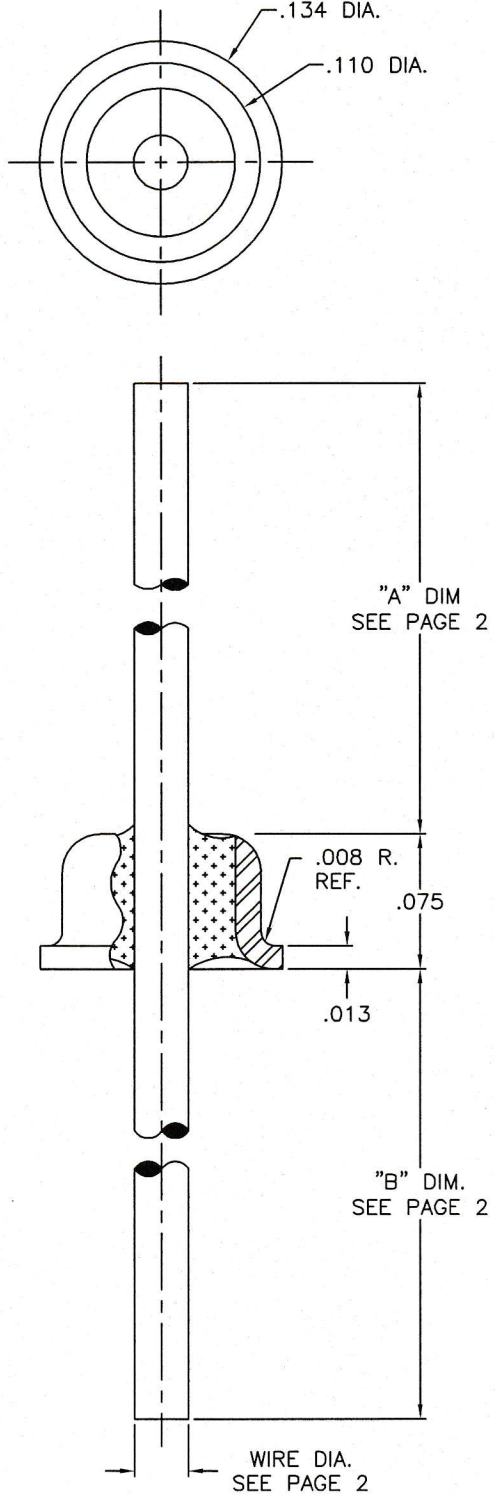



THE INFORMATION CONTAINED IN THIS DRAWING IS THE SOLE PROPERTY OF LEGACY TECHNOLOGIES, INC. ANY REPRODUCTION IN PART OR WHOLE WITHOUT THE WRITTEN PERMISSION OF LEGACY TECHNOLOGIES, INC. IS PROHIBITED.

REV	DESCRIPTION OF REVISION	E.C.N.	BY	APPROVED	DATE
T	ADDED -AR		E.T.W.	E.T.W.	03-11-04
U	ADDED -AU		E.T.W.	E.T.W.	06-25-04
V	ADDED PAGE 2		E.T.W.	E.T.W.	12-07-06
W	ADDED -AW		E.T.W.	E.T.W.	10-27-09




MATERIAL:
 EYELET - 1010 C.R.S.
 GLASS - 9013 OR EQUAL.
 LEADS - ASTM F-30, 52 ALLOY.

PLATING:
 1. PLATE EYELET AND LEADS PRIOR TO FUSING WITH ELECTROLYTIC NICKEL. AFTER FUSING PLATE PER MIL-STD QQ-S-571-D TIN LEAD ALLOY.

DRAWN BY: TINA MOSS 10-31-95		MATERIAL: SEE ABOVE		TOLERANCING PER ANSI Y14.5 .X ±.005 .XXX ±.005 .XX ±.005 ANG ±5 UNLESS OTHERWISE SPECIFIED		 Legacy Technologies Inc. 6700 W. 47th TERR. MISSION, KS. 66203 TEL: 913-432-2487 FAX: 913-432-0570	
CHECKED BY: E.T.W. 10-31-95		APP. SPECS	SUPERSEDES	NEXT ASSY FT-134 .018/.030/.040 DIA INSULATED SERIES	SCALE: 10:1	FINISH: UNLESS OTHERWISE SPECIFIED <input checked="" type="checkbox"/>	PART NUMBER: SEE PART NO.
APPROVED BY:	TITLE: INSULATED FEED THRU			FILE: EA00001	PAGE 1 of 2	W	

THE INFORMATION CONTAINED IN THIS DRAWING IS THE SOLE PROPERTY OF LEGACY TECHNOLOGIES, INC. ANY REPRODUCTION IN PART OR WHOLE WITHOUT THE WRITTEN PERMISSION OF LEGACY TECHNOLOGIES, INC. IS PROHIBITED.

REV	DESCRIPTION OF REVISION	E.C.N.	BY	APPROVED	DATE
FT-134-AW T16	.114±.010	.375±.010	.032/.028		
FT-134-AU T16	1.092±.010	.708±.010	.042/.038		
FT-134-AR T16	.332±.010	.263±.010	.042/.038		
FT-134-AP T16	1.442±.010	.358±.010	.042/.038		
FT-134-AN T16	1.150±.010	.196±.015	.019/.016		
FT-134-AK T16	1.438±.010	.587±.010	.042/.038		
FT-134-AJ T16	.500±.015	.385±.010	.032/.028		
FT-134-AF T16	.192±.010	.503±.015	.019/.016		
FT-134-AE T16	.500±.010	.498±.005	.032/.028		
FT-134-AD T16	.442±.010	.483±.005	.042/.038		
FT-134-AC T16	.442±.005	2.483±.010	.032/.028		
FT-134-AB T16	.462±.010	.606±.005	.032/.028		
FT-134-AA T16	1.380±.010	.358±.010	.042/.038		
FT-134-Z T16	.192±.010	.253±.005	.032/.028		
FT-134-Y T16	.192±.010	.313±.005	.032/.028		
FT-134-X T16	.482±.010	.513±.005	.032/.028		
FT-134-W T16	.442±.010	.171±.005	.032/.028		
FT-134-V T16	.292±.010	.100±.005	.032/.028		
FT-134-U T16	.442±.020	.153±.005	.032/.028		
FT-134-T T16	.292±.020	.363±.005	.032/.028		
FT-134-R T16	.567±.005	.303±.010	.032/.028		
FT-134-P T16	1.380±.010	.358±.010	.032/.028		
FT-134-N T16	.570±.010	.260±.010	.032/.028		
FT-134-K T16	.712±.010	.753±.010	.042/.038		
FT-134-J T16	1.207±.015	.250±.015	.042/.038		
FT-134-H T16	.350±.010	.742±.010	.032/.028		
FT-134-G T16	.712±.010	.753±.010	.032/.028		
FT-134-D T16	1.438±.010	.587±.010	.032/.028		
FT-134-C T16	.940±.020	.265±.015	.042/.038		
FT-134-B T16	.745±.015	.180±.010	.032/.028		
FT-134-A T16	.267±.007	.264±.007	.032/.028		
PART NO.	"A" DIM.	"B" DIM.	WIRE DIA.		
DRAWN BY: TINA MOSS 10-31-95	MATERIAL: SEE ABOVE		TOLERANCING PER ANSI Y14.5 .X ±.005 .XXX ±.005 .XX ±.005 ANG ±5 UNLESS OTHERWISE SPECIFIED		 Legacy Technologies Inc. <p>6700 W. 47th TERR. MISSION, KS. 66203 TEL: 913-432-2487 FAX: 913-432-0570</p>
CHECKED BY: E.T.W. 10-31-95	APP. SPECS	SUPERSEDES	NEXT ASSY FT-134 .018/.030/.040 DIA INSULATED SERIES	SCALE: 1:1	
APPROVED BY:	TITLE: INSULATED FEED THRU				PART NUMBER: SEE PART NO.
			FILE: EA00001A	PAGE 2 of 2	