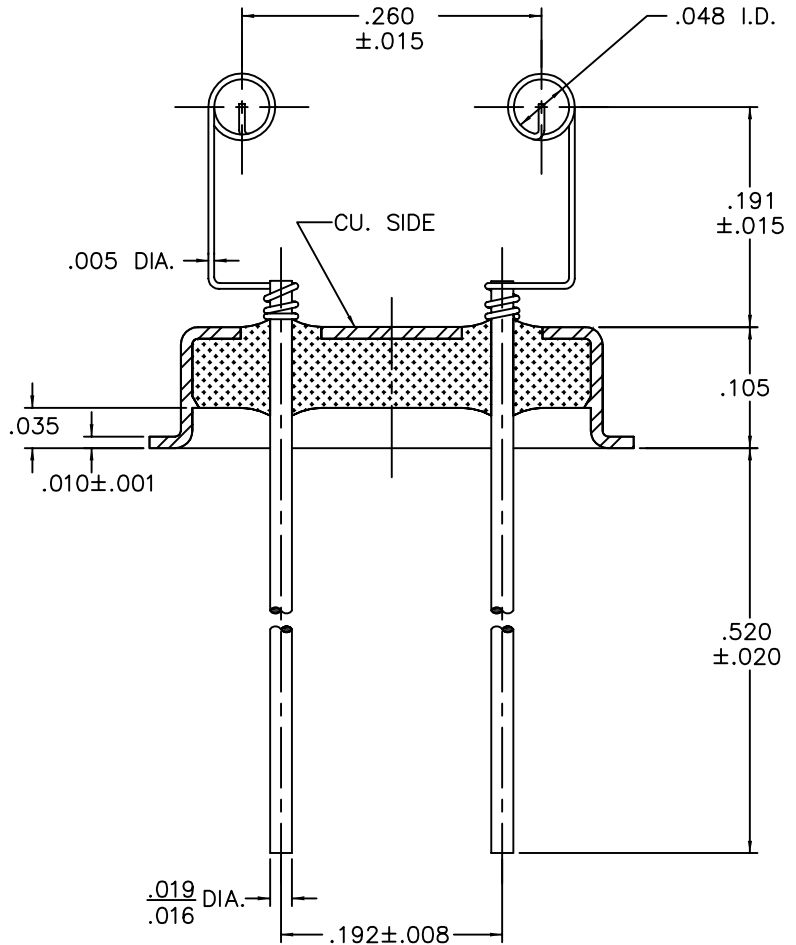
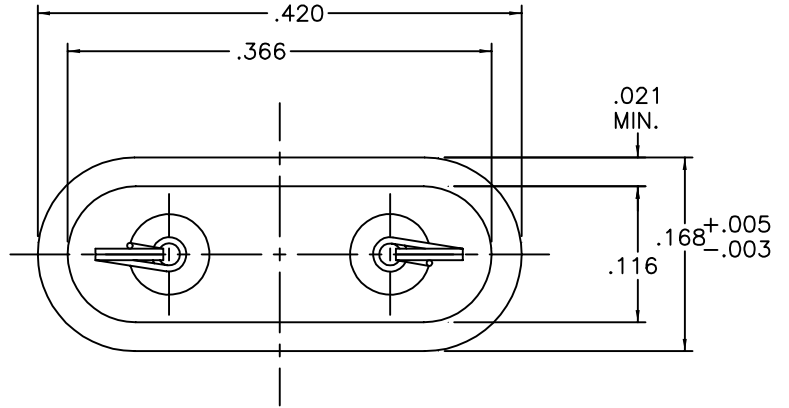


REV	DESCRIPTION OF REVISION	E.C.N.	BY	APPROVED	DATE
A	EYELET DIM. WAS .267 NOW .366		T.J.M.	E.T.W.	04-15-96




**MATERIAL:**

EYELET - 30/70 COPPER CLAD KOVAR.  
 GLASS - 7052 OR EQUAL.  
 LEADS - ASTM F-15 ALLOY, KOVAR.  
 SPRING DOUBLE TINNED MUSIC WIRE.  
 SOLDER PER MIL-STD QQ-S-571-D  
 TIN LEAD ALLOY.

**PLATING:**

1. ELECTROLESS NICKEL FINAL PLATE OF 100 MICROINCHES MINIMUM.
2. OPTIONAL SOLDER COAT ON LEADS ONLY PER MIL-STD QQ-S-571-D TIN LEAD ALLOY.
3. OPTIONAL GOLD FLASH .99999 PURE 24 KARAT GOLD UP TO A MAX. OF 8 MICROINCHES OVER THE ELECTROLESS NICKEL FINAL PLATE.

DRAWN BY: TINA MOSS 04-11-96		MATERIAL: SEE ABOVE		TOLERANCING PER ANSI Y14.5 .X ± .005 .XXX ± .005 .XX ± .005 ANG ± 5° UNLESS OTHERWISE SPECIFIED		 Legacy Technologies Inc.		6700 W. 47th TERR. MISSION, KS. 66203 TEL: 913-432-2487 FAX: 913-432-0570	
CHECKED BY: E.T.W. 04-19-96		APP. SPECS	SUPERSEDES	NEXT ASSY		SCALE: N.T.S.		FINISH: UNLESS OTHERWISE SPECIFIED <input checked="" type="checkbox"/>	
APPROVED BY:		TITLE: HC-43/U W/ SPRING MOUNT				PART NUMBER: CW-185-1		A	
		FILE: LA00005G		PAGE		1 of 1			