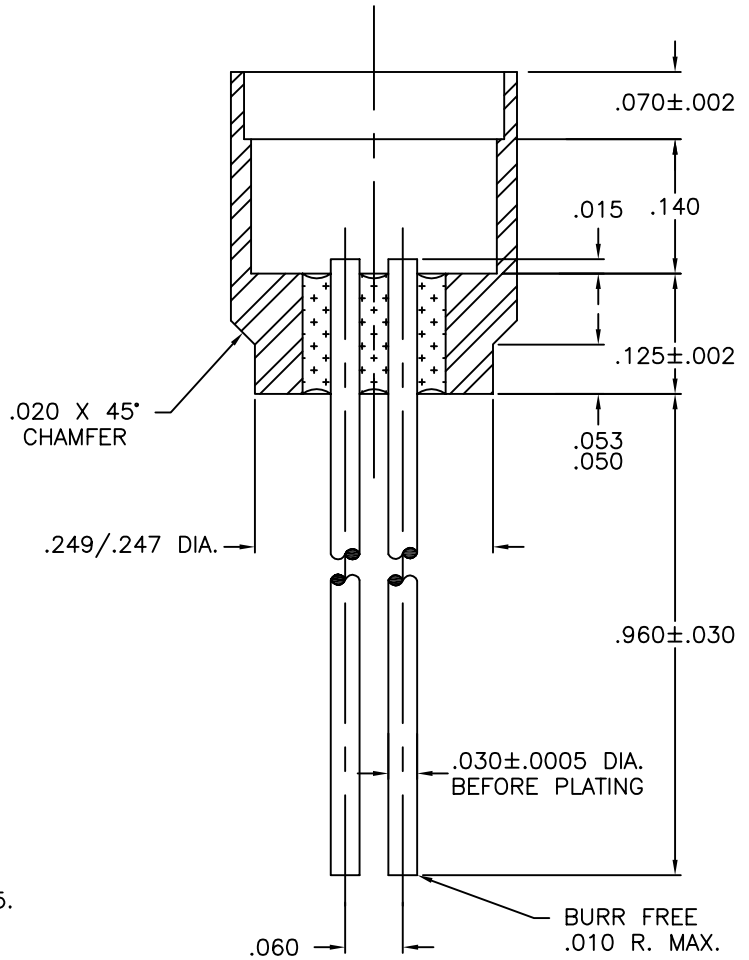
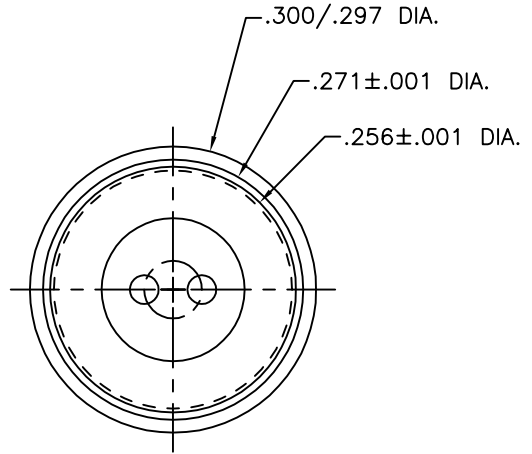


REV	DESCRIPTION OF REVISION	E.C.N.	BY	APPROVED	DATE
-----	-------------------------	--------	----	----------	------



**MATERIAL:**


EYELET - 12L14 C.R.S. OR EQUAL.  
 GLASS - 9013 OR EQUAL.  
 LEADS - 42-6 ALLOY.

**PLATING:**

1. THE FUSED HEADER WILL BE PLATED WITH 100 TO 300 MICROINCHES OF BRIGHT ELECTRODEPOSITED TIN PER MIL-T-10727.

**NOTES:**

1. ALL DIAMETERS TO BE CONCENTRIC WITHIN .005.

DRAWN BY: E.T.W. 06-22-98	MATERIAL: SEE ABOVE			TOLERANCING PER ANSI Y14.5 .X ± .030 .XXX ± .010 .XX ± .030 ANG ± 5° UNLESS OTHERWISE SPECIFIED		 Legacy Technologies Inc. 6700 W. 47th TERR. MISSION, KS. 66203 TEL: 913-432-2487 FAX: 913-432-0570
	CHECKED BY: J.R. 07-20-98	APP. SPECS	SUPERSEDES	NEXT ASSY FT-2982-A	SCALE: 5:1	
APPROVED BY: A.J.A. 07-21-98	TITLE: FEED THRU				PART NUMBER: FT-2982-A T11	
				FILE: EA00045	PAGE 1 of 1	