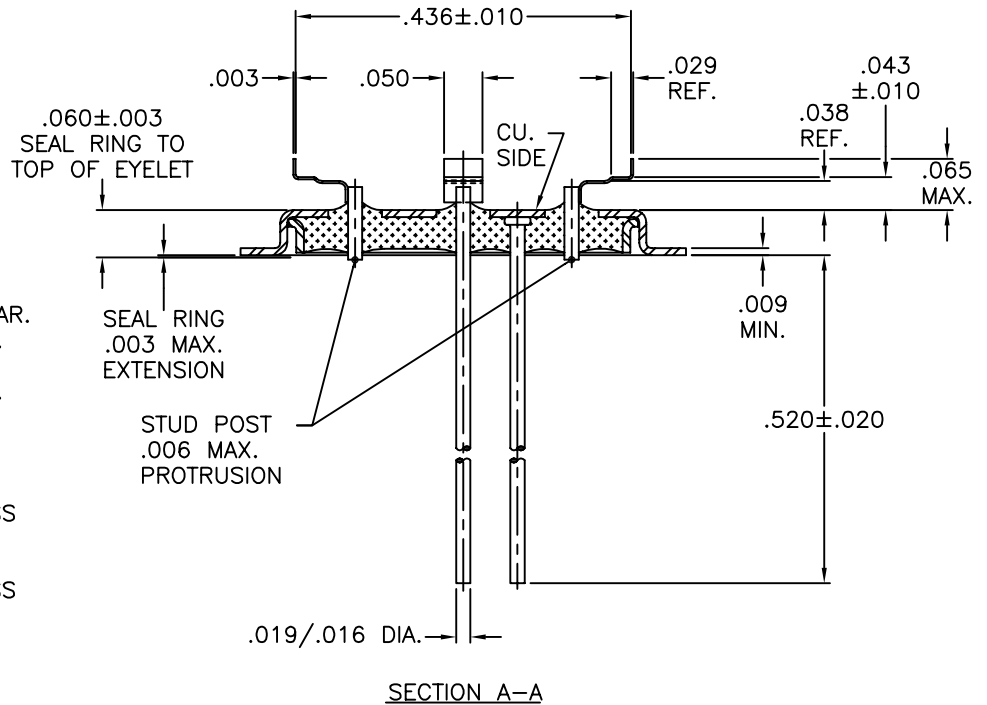
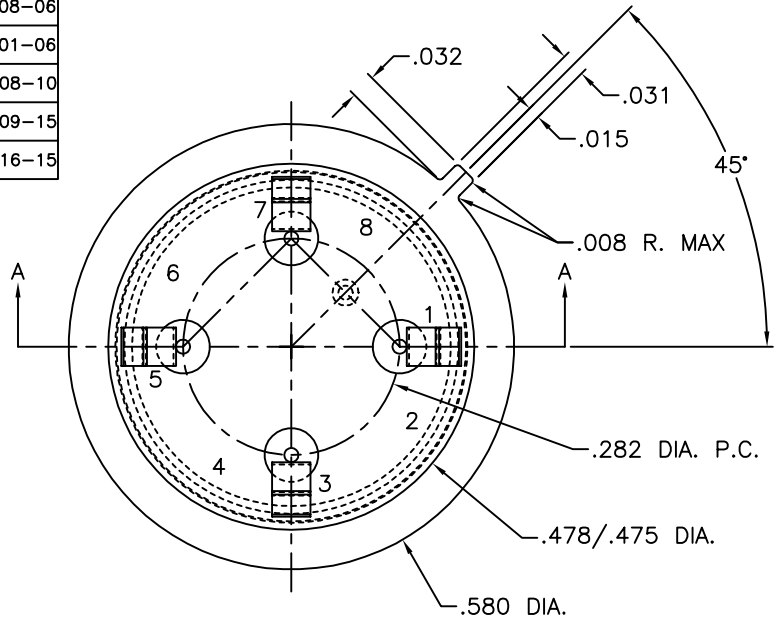


REV	DESCRIPTION OF REVISION	E.C.N.	BY	APPROVED	DATE
A	WAS .067±.008		E.T.W.	J.T.	11-08-06
B	CORRECTED PATENT NO.		E.T.W.	M.F.	12-01-06
C	MOUNT MAT'L WAS NICKEL ALLOY		E.T.W.	E.T.W.	06-08-10
D	SEAL RING TO TOP EYELET±.003 & RING TO BOT. OF FLG. .003 MAX.		E.C.	E.T.W.	04-09-15
E	NOTE WAS: STUD POST TO BE FLUSH OR BELOW FLUSH		E.C.	E.T.W.	06-16-15

PATENT NO.:  
US6.229.088




**MATERIAL:**

- EYELET - 30/70 COPPER CLAD KOVAR.
- SEAL RING - ASTM F-15 ALLOY, KOVAR.
- GLASS - 7052 OR EQUAL, OPAQUE.
- LEADS - ASTM F-15 ALLOY, KOVAR.
- MOUNT - 200 NICKEL, 1/4 HARD.

**PLATING:**

1. OPTION: RoHS COMPLIANT ELECTROLESS NICKEL PLATE OF 100 MICROINCHES MINIMUM FINAL PLATE.
2. OPTION: RoHS COMPLIANT ELECTROLESS NICKEL PLATE OF 100 MICROINCHES MINIMUM FOLLOWED BY A RoHS COMPLIANT LEAD FREE SOLDER COAT, ON LEADS ONLY.
3. OPTION: RoHS COMPLIANT ELECTROLESS NICKEL PLATE OF 100 MICROINCHES MINIMUM FOLLOWED BY A GOLD FLASH OF .99999 PURE 24 KART GOLD UP TO A MAX. OF 8 MICROINCHES.

DRAWN BY: E.T.W. 02-23-06	MATERIAL: SEE ABOVE			TOLERANCING PER ANSI Y14.5 .X ± .005 .XXX ± .005 .XX ± .005 ANG ± 5° UNLESS OTHERWISE SPECIFIED		 Legacy Technologies Inc. 6700 W. 47th TERR. MISSION, KS. 66203 TEL: 913-432-2487 FAX: 913-432-0570
	CHECKED BY: E.T.W. 02-23-06	APP. SPECS	SUPERSEDES	NEXT ASSY	SCALE: 4:1	
APPROVED BY:	TITLE: HC-37/U WIDE FLANGE LOW PROFILE L.T.I. KANE P/N: 500-3105-1363-919 RoHS W/ CHAIR MOUNT (KANE MOUNT P/N: 1363)				PART NUMBER: CWLP-T08-017J-CN350P RoHS	E
FILE: HE00024A					PAGE 1 of 1	