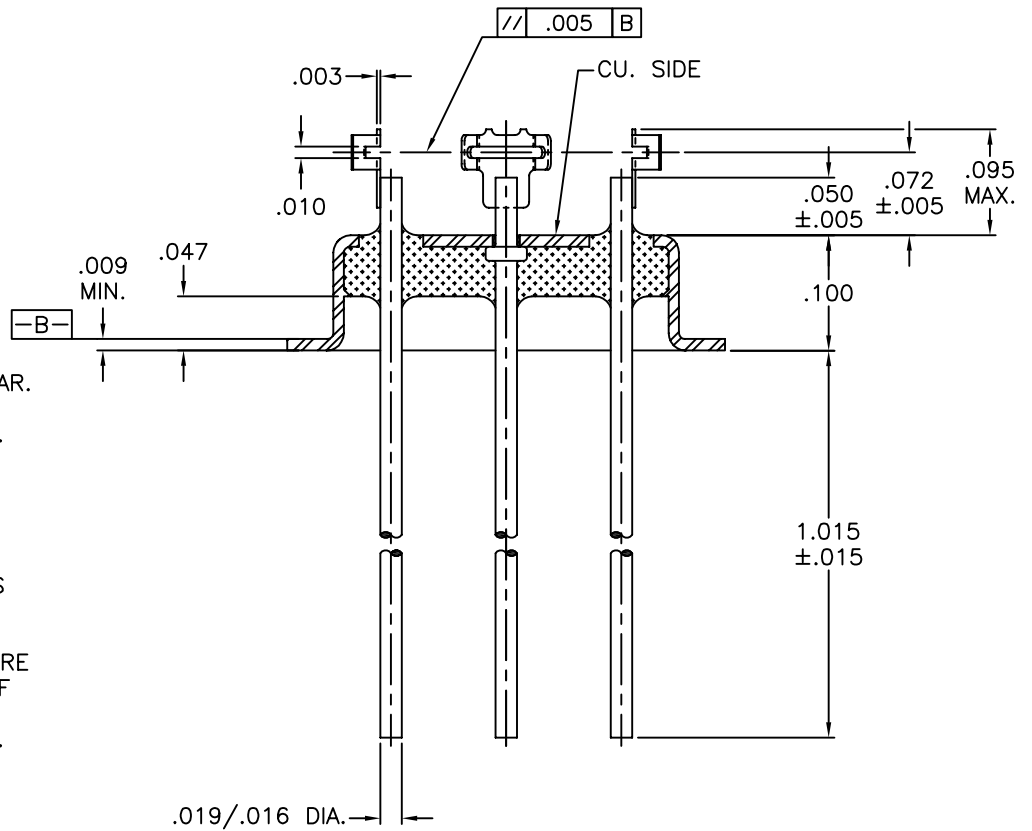
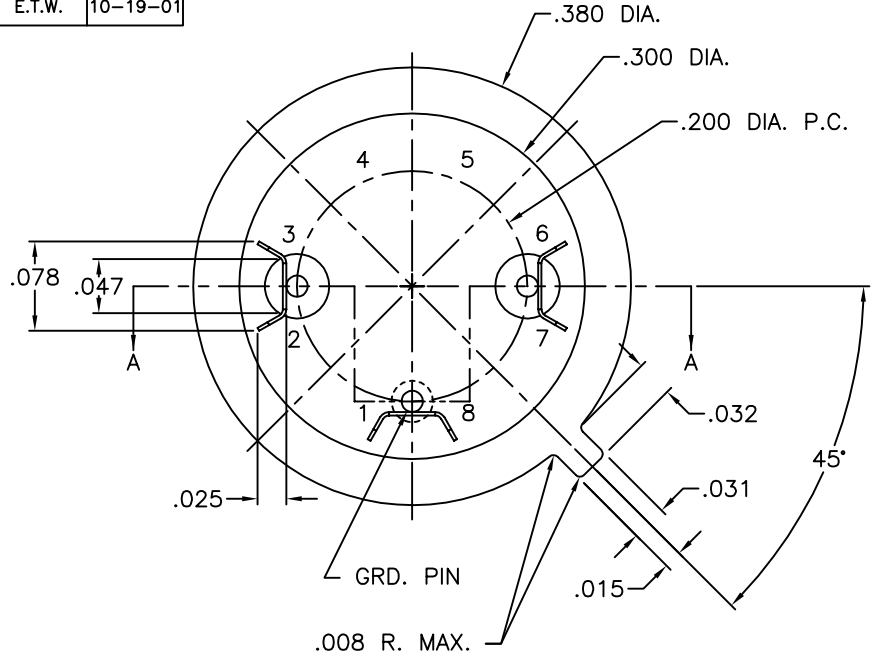


REV	DESCRIPTION OF REVISION	E.C.N.	BY	APPROVED	DATE
B	ADDED CLIP MAT'L HARDNESS		E.T.W.	E.T.W.	10-19-01



SECTION A-A

MATERIAL:

- EYELET - 30/70 COPPER CLAD KOVAR.
- GLASS - 7052 OR EQUAL, OPAQUE.
- LEADS - ASTM F-15 ALLOY, KOVAR.
- MOUNT - 201 NICKEL, 3/4 HARD.

PLATING:

1. ELECTROLESS NICKEL FINAL PLATE OF 100 MICROINCHES MINIMUM.
2. OPTIONAL SOLDER COAT ON LEADS ONLY PER MIL-STD QQ-S-571-D TIN LEAD ALLOY.
3. OPTIONAL GOLD FLASH .99999 PURE 24 KARAT GOLD UP TO A MAX. OF 8 MICROINCHES OVER THE ELECTROLESS NICKEL FINAL PLATE.

DRAWN BY: E.T.W. 04-07-00	MATERIAL: SEE ABOVE		TOLERANCING PER ANSI Y14.5 .X ± .005 .XXX ± .005 .XX ± .005 ANG ± 5° UNLESS OTHERWISE SPECIFIED			6700 W. 47th TERR. MISSION, KS. 66203 TEL: 913-432-2487 FAX: 913-432-0570
	CHECKED BY: E.T.W. 04-07-00	APP. SPECS REV. A REMOVED CROVEN P/N: 355-14 REF.	SUPERSEDES	NEXT ASSY		
APPROVED BY:	TITLE: HC-35/U WIDE FLANGE TYPE W/ BH-STYLE MEDIUM PROFILE CLIP				PART NUMBER: CW-T05-HG-B7200208N	B
					FILE: GA00097	PAGE 1 of 1