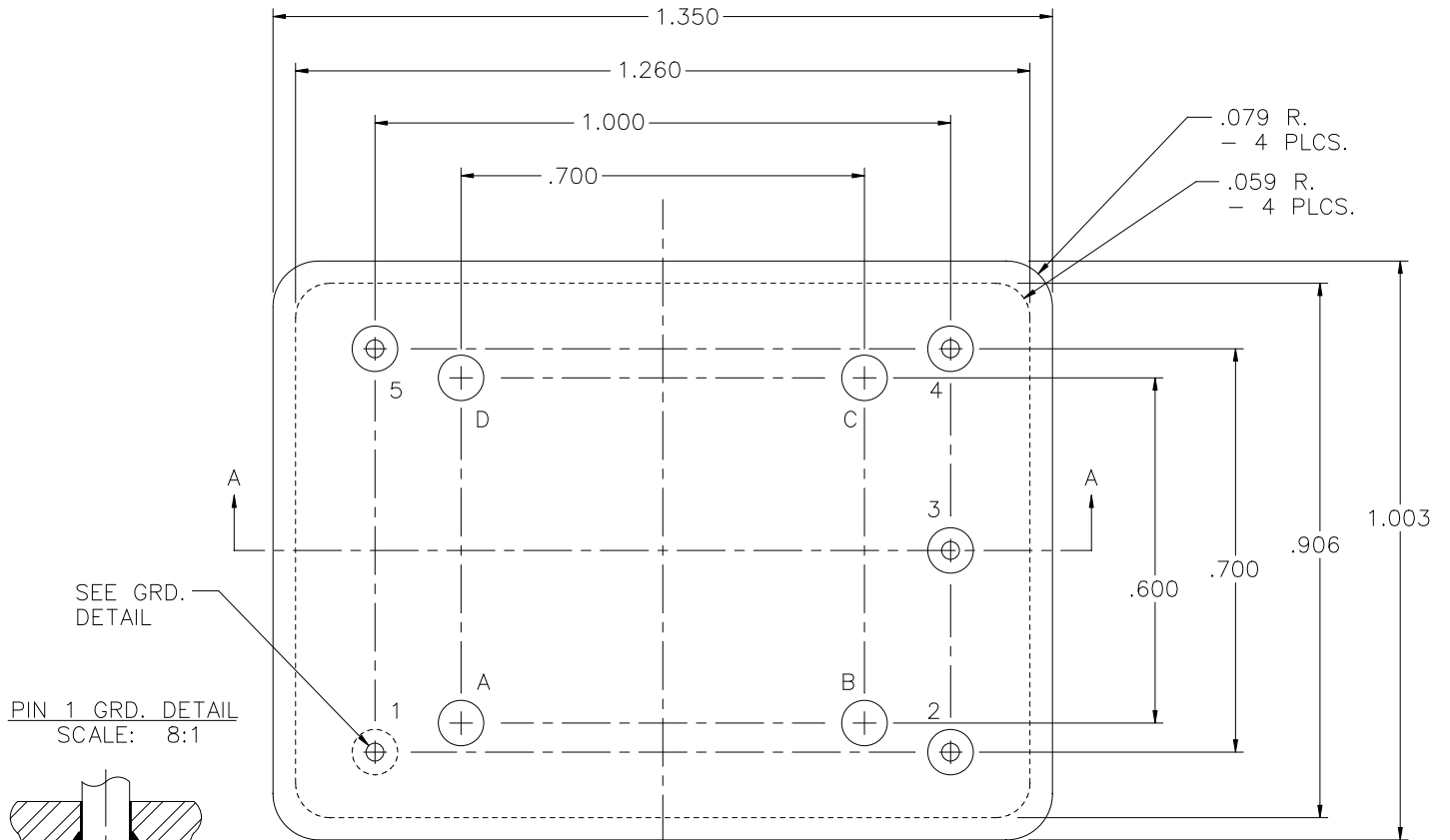
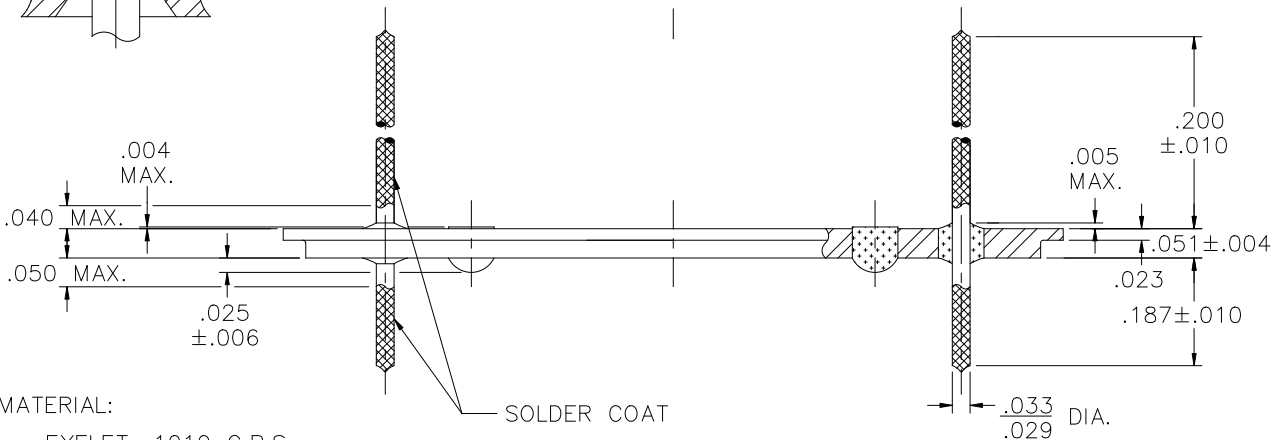
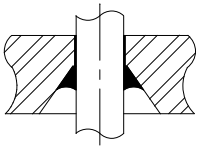


REV	DESCRIPTION OF REVISION	E.C.N.	BY	APPROVED	DATE
-----	-------------------------	--------	----	----------	------



PIN 1 GRD. DETAIL
SCALE: 8:1




MATERIAL:

EYELET- 1010 C.R.S.
GLASS - 9013 OR EQUAL.
LEADS - ASTM F-30, 52 ALLOY.
BRAZE - BT VTG AG. CU. EUTECTIC.

PLATING:

1. RoHS COMPLIANT ELECTROLESS NICKEL PLATE OF 100 MICRONS MINIMUM FOLLOWED BY A RoHS COMPLIANT LEAD FREE SOLDER COAT, ON POSTS AND LEADS.

DRAWN BY: E.T.W. 07-23-08	MATERIAL: SEE ABOVE			TOLERANCING PER ANSI Y14.5 .X ±.005 .XXX ±.005 .XX ±.005 ANG ±5° UNLESS OTHERWISE SPECIFIED		 6700 W. 47th TERR. MISSION, KS. 66203 TEL: 913-432-2487 FAX: 913-432-0570
	CHECKED BY:	APP. SPECS	SUPERSEDES	NEXT ASSY	SCALE: N.T.S.	
APPROVED BY:	TITLE: 1.003 x 1.350 EUROPACK HEADER				PART NUMBER: DC-1003-1350-E RoHS PT/LT	
				FILE: WA00018B	PAGE 1 of 1	