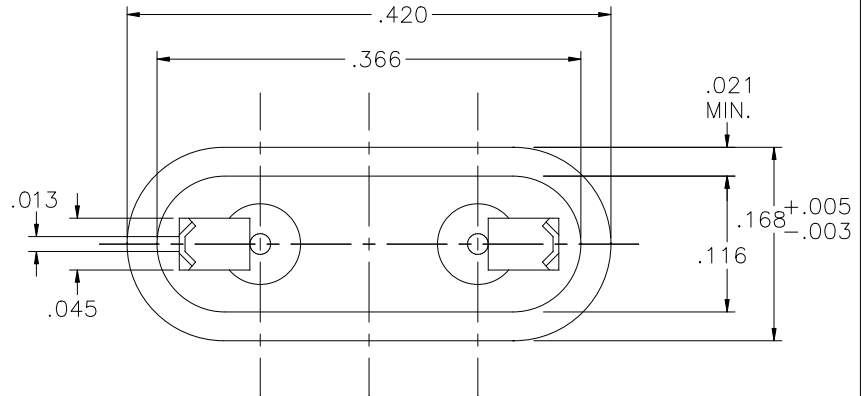
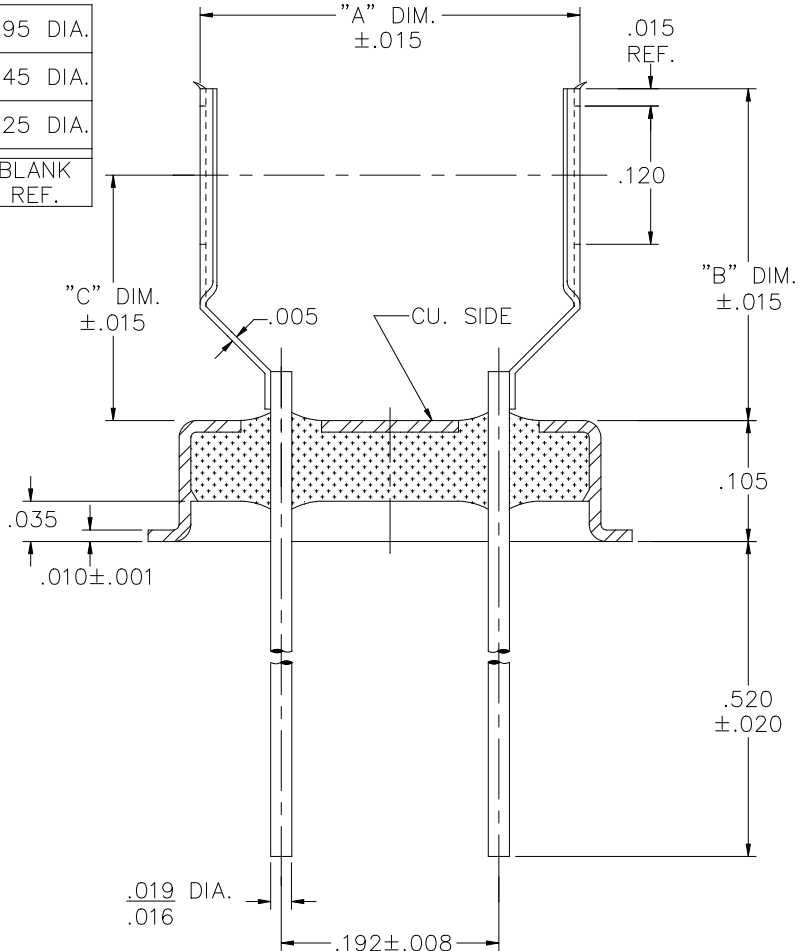


REV	DESCRIPTION OF REVISION	E.C.N.	BY	APPROVED	DATE
-----	-------------------------	--------	----	----------	------




WSM006A B.280	.280	.295	.220	.295 DIA.
WSM006A B.330	.330	.278	.203	.345 DIA.
WSM006A B.312	.312	.288	.213	.325 DIA.
DASH	"A" DIM.	"B" DIM.	"C" DIM.	BLANK REF.



MATERIAL:  
 EYELET-30/70 COPPER CLAD KOVAR.  
 GLASS-7052 OR EQUAL.  
 LEADS-ASTM F-15 ALLOY, KOVAR.  
 MOUNT-C770 NICKEL SILVER, FULL HARD.

PLATING:  
 1. OPTION: RoHS COMPLIANT ELECTROLESS NICKEL PLATE OF 100 MICROINCHES MINIMUM FINAL PLATE.  
 2. OPTION: RoHS COMPLIANT ELECTROLESS NICKEL PLATE OF 100 MICROINCHES MINIMUM FOLLOWED BY A RoHS COMPLIANT SOLDER COAT OF A TIN ALLOY, ON LEADS ONLY.  
 3. OPTION: RoHS COMPLIANT ELECTROLESS NICKEL PLATE OF 100 MICROINCHES MINIMUM FOLLOWED BY A GOLD FLASH OF .99999 PURE 24 KARAT GOLD UP TO A MAX. OF 8 MICROINCHES.

DRAWN BY: E.T.W. 01-06-06	MATERIAL: SEE ABOVE	TOLERANCING PER ANSI Y14.5 .X ±.005 .XXX ±.005 .XX ±.005 ANG ±5° UNLESS OTHERWISE SPECIFIED		 6700 W. 47th TERR. MISSION, KS. 66203 TEL: 913-432-2487 FAX: 913-432-0570	
CHECKED BY:	APP. SPECS	SUPERSEDES	NEXT ASSY		PART NUMBER: CW-185- RoHS
APPROVED BY:	TITLE: HC-43/U W/ SLOT MOUNT	SCALE: N.T.S. FINISH: UNLESS OTHERWISE SPECIFIED		FILE: LA00007F	PAGE 1 OF 1