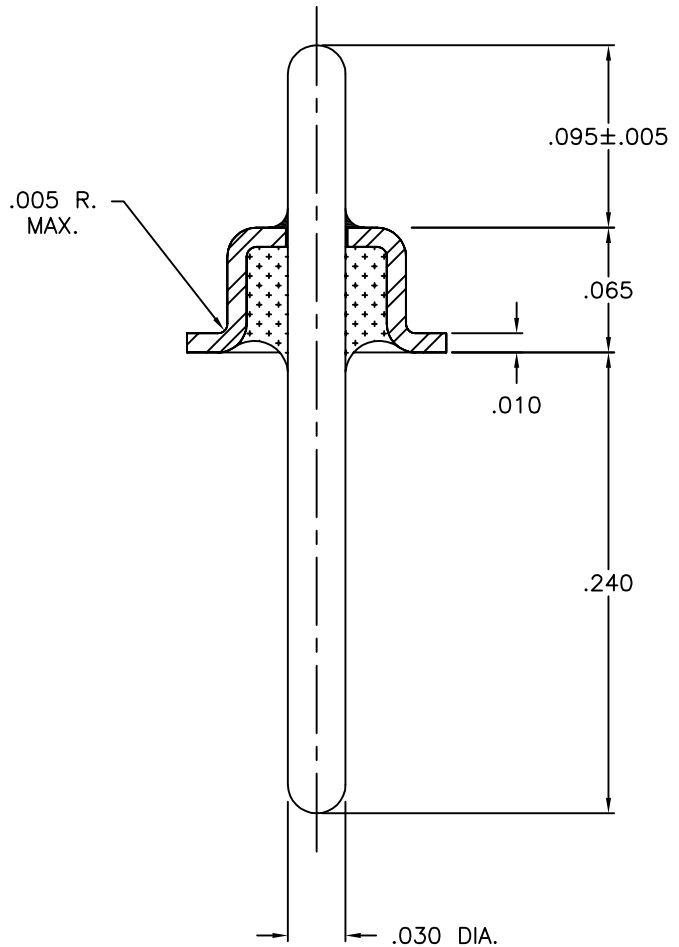
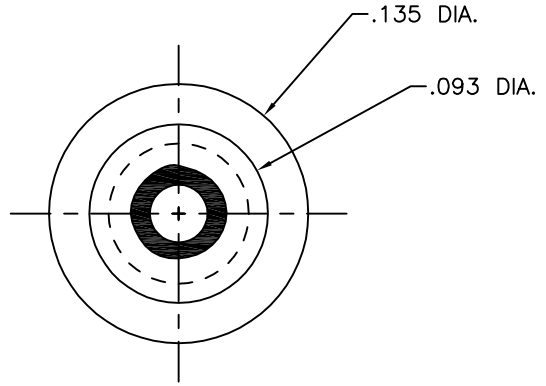


REV	DESCRIPTION OF REVISION	E.C.N.	BY	APPROVED	DATE
A	CORRECTED MATERIAL		T.J.M.	E.T.W.	02-26-97
B	.095 DIM. WAS A REF.		T.J.M.	E.T.W.	11-21-97
C	POST HT. WAS .095±.003		T.J.M.		02-10-98




MATERIAL:

- EYELET - ASTM F-15 ALLOY, KOVAR.
- GLASS - 7052 OR EQUAL.
- LEAD - ASTM F-15 ALLOY, KOVAR.
- BRAZE - BT VTG CU. AG. EUTETIC.

PLATING:

1. PER PLATING MIL-STD QQ-S-571-D TIN LEAD ALLOY.

DRAWN BY: TINA MOSS 01-16-96	MATERIAL: SEE ABOVE			TOLERANCING PER ANSI Y14.5 .X ± .005 .XXX ± .005 .XX ± .005 ANG ± 5 UNLESS OTHERWISE SPECIFIED			6700 W. 47th TERR. MISSION, KS. 66203 TEL: 913-432-2487 FAX: 913-432-0570		
CHECKED BY: E.T.W. 01-18-96	APP. SPECS	SUPERSEDES	NEXT ASSY FT-001-G	SCALE: 10:1	FINISH: UNLESS OTHERWISE SPECIFIED <input checked="" type="checkbox"/>		PART NUMBER: FT-001-G		C
APPROVED BY:	TITLE: GROUND FEED THRU						FILE: EA00011	PAGE	1 of 1