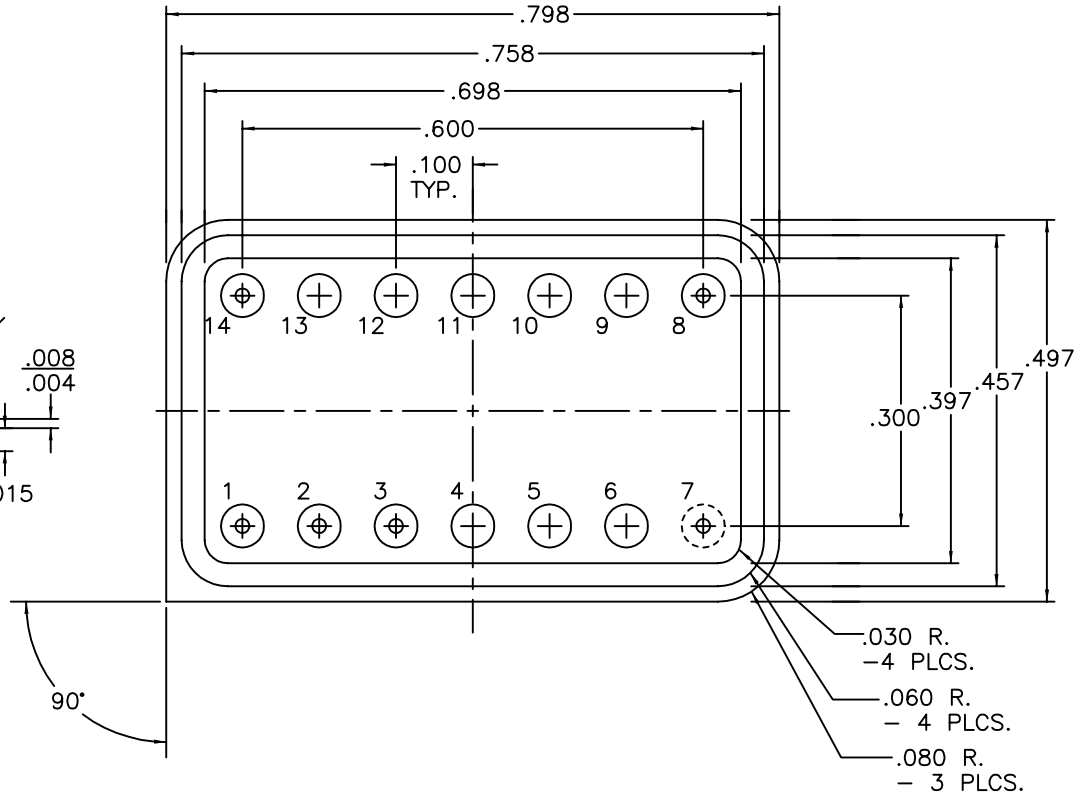
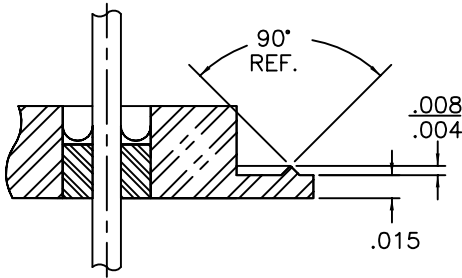


| REV | DESCRIPTION OF REVISION | E.C.N. | BY | APPROVED | DATE |
|-----|-------------------------|--------|----|----------|------|
|-----|-------------------------|--------|----|----------|------|

PIN 7 GRD. DETAIL
SCALE: 8:1



NOTES:

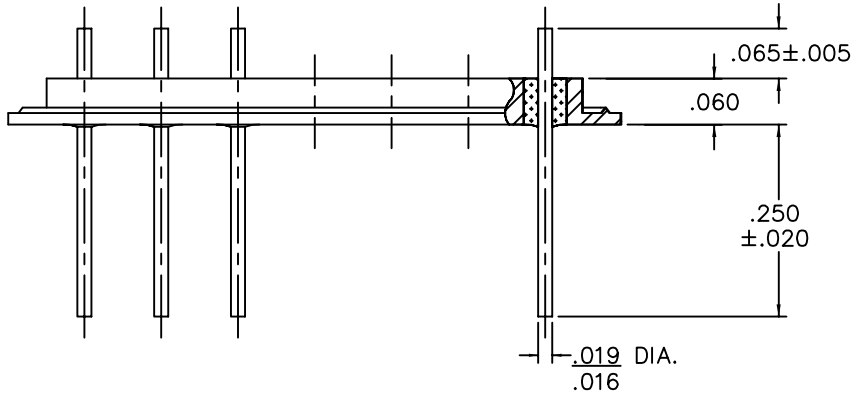
H.E.S. OPTION TO USE 14 HOLE EYELET AND GLASS IN THE UN-USED HOLES.

MATERIAL:

- EYELET - 1010 C.R.S. OR EQUAL.
- GLASS - 7052 OR EQUAL.
- LEADS - ASTM F-15 ALLOY, KOVAR.
- BRAZE - BT VTG AG. CU. EUTECTIC.

PLATING:

1. OPTION: RoHS COMPLIANT ELECTROLESS NICKEL PLATE OF 100 MICROINCHES MINIMUM FINAL PLATE.
2. OPTION: RoHS COMPLIANT ELECTROLESS NICKEL PLATE OF 100 MICROINCHES MINIMUM FOLLOWED BY A RoHS COMPLIANT LEAD FREE SOLDER COAT, ON LEADS ONLY.
3. OPTION: RoHS COMPLIANT ELECTROLESS NICKEL PLATE OF 100 MICROINCHES MINIMUM FOLLOWED BY A GOLD FLASH OF .99999 PURE 24 KART GOLD UP TO A MAX. OF 8 MICROINCHES.



| | | | | | | |
|---------------------------------|--|------------|------------|--|-------------------|--|
| DRAWN BY: E.T.W. 06-10-08 | MATERIAL: SEE ABOVE | | | TOLERANCING PER ANSI Y14.5 .X ± .005 .XXX ± .005 .XX ± .005 ANG ± 5° UNLESS OTHERWISE SPECIFIED | | <p>6700 W. 47th TERR. MISSION, KS. 66203 TEL: 913-432-2487 FAX: 913-432-0570</p> |
| | CHECKED BY: E.T.W. 06-10-08 | APP. SPECS | SUPERSEDES | NEXT ASSY | SCALE: N.T.S. | |
| APPROVED BY: | TITLE: .498 X .798 D.I.P. 6 PIN .065 PH. .250 LL. PIN 7 GRD. | | | | FILE: UB00124A | PAGE 1 of 1 |