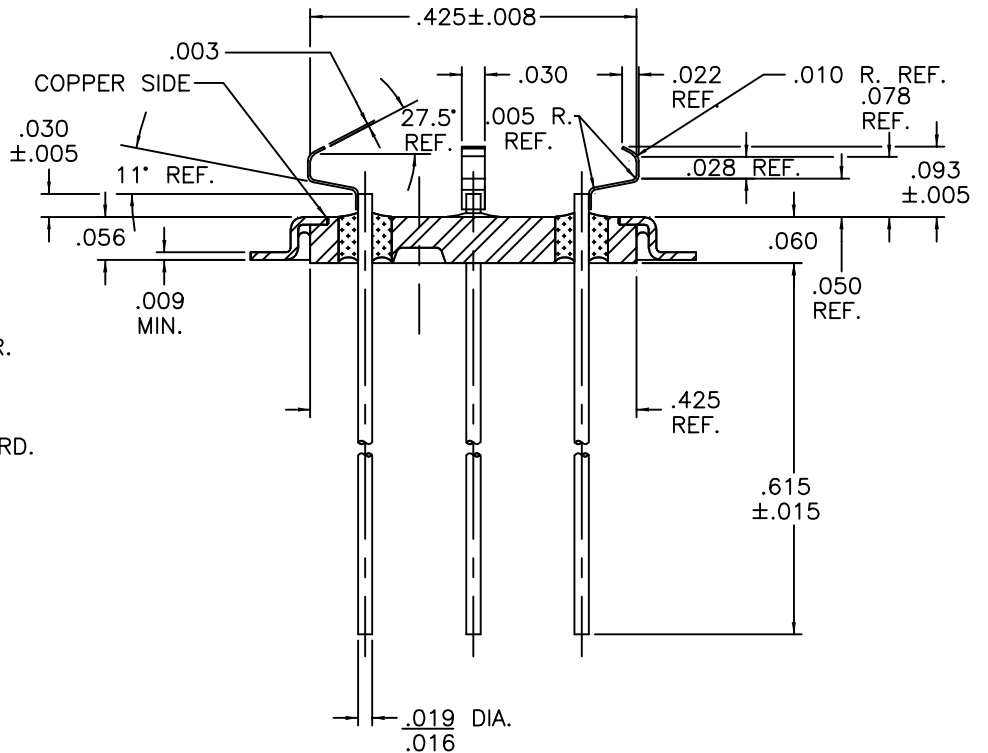
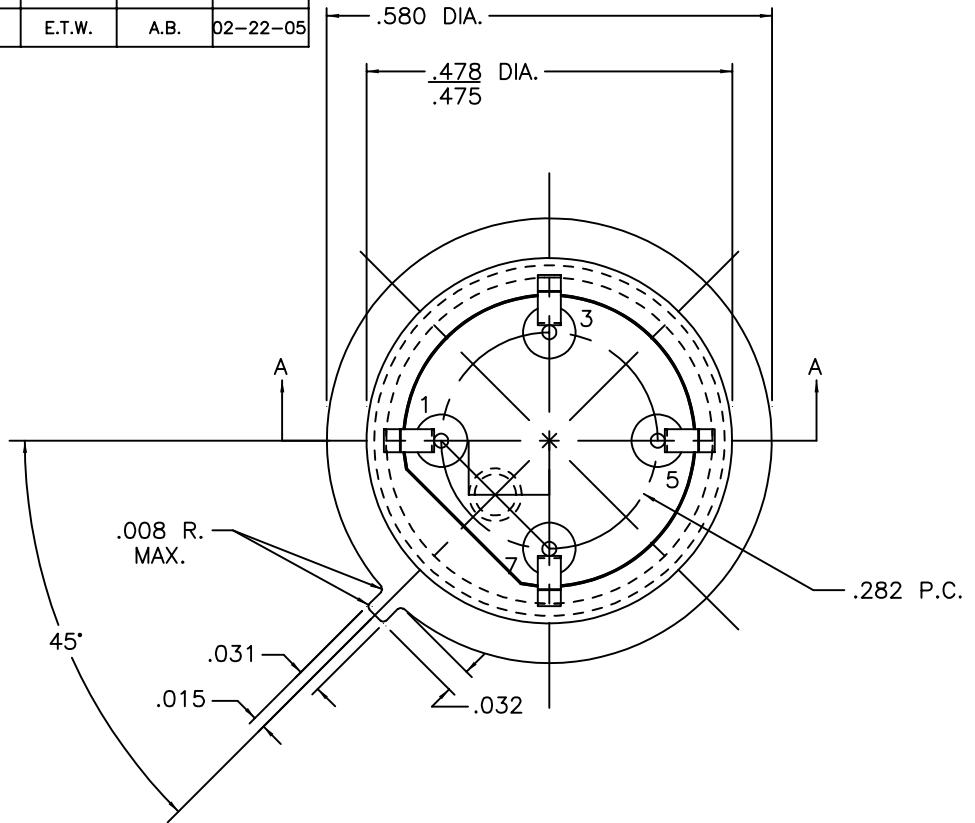



| REV | DESCRIPTION OF REVISION | E.C.N. | BY | APPROVED | DATE |
|-----|--|--------|--------|----------|----------|
| A | MADE .022 A REF. DIM., .076±.005 A REF. AND .050±.005 A REF. | | E.T.W. | A.J.A. | 08-08-02 |
| B | FILE NO.: WAS EB00055.SKD | | E.T.W. | A.B. | 02-22-05 |



NOTE:
POST HEIGHT IS SPECIFIED OFF THE HIGHEST POINT ON THE POST SIDE.

MATERIAL:
EYELET - 1010 C.R.S. OR EQUAL.
FLANGE - 30/70 COPPER CLAD KOVAR.
GLASS - 7052 OR EQUAL, OPAQUE.
LEADS - ASTM F-15 ALLOY, KOVAR.
BRAZE - AG. CU. INDIUM ALLOY.
MOUNT - 200 NICKEL ALLOY, 1/2 HARD.

PLATING:
1. ELECTROLESS NICKEL FINAL PLATE OF 100 MICROINCHES MINIMUM.
2. OPTIONAL SOLDER COAT ON LEADS ONLY PER MIL-STD QQ-S-571-D TIN LEAD ALLOY.
3. OPTIONAL GOLD FLASH .99999 PURE 24 KARAT GOLD UP TO A MAX. OF 8 MICROINCHES OVER THE ELECTROLESS NICKEL FINAL PLATE.

| | | | | | | | | |
|------------------------------------|--|---|------------|--|---------------|--|----------------|--|
| DRAWN BY: E.T.W. 06-25-02 | | MATERIAL: SEE ABOVE | | TOLERANCING PER ANSI Y14.5 .X ±.005 .XXX ±.005 .XX ±.005 ANG ±5° UNLESS OTHERWISE SPECIFIED | |  Legacy Technologies Inc. 6700 W. 47th TERR. MISSION, KS. 66203 TEL: 913-432-2487 FAX: 913-432-0570 | | |
| CHECKED BY: A.B. 06-25-02 | | APP. SPECS CROVEN P/N: 370-42 REF. | SUPERSEDES | NEXT ASSY LP-T08- .282 P.C. | SCALE: 4:1 | | | FINISH: UNLESS OTHERWISE SPECIFIED |
| APPROVED BY: A.J.A. 06-25-02 | | TITLE: HC-37/U WIDE FLANGE LOW PROFILE | | | | FILE: HM00007 | PAGE 1 OF 1 | B |