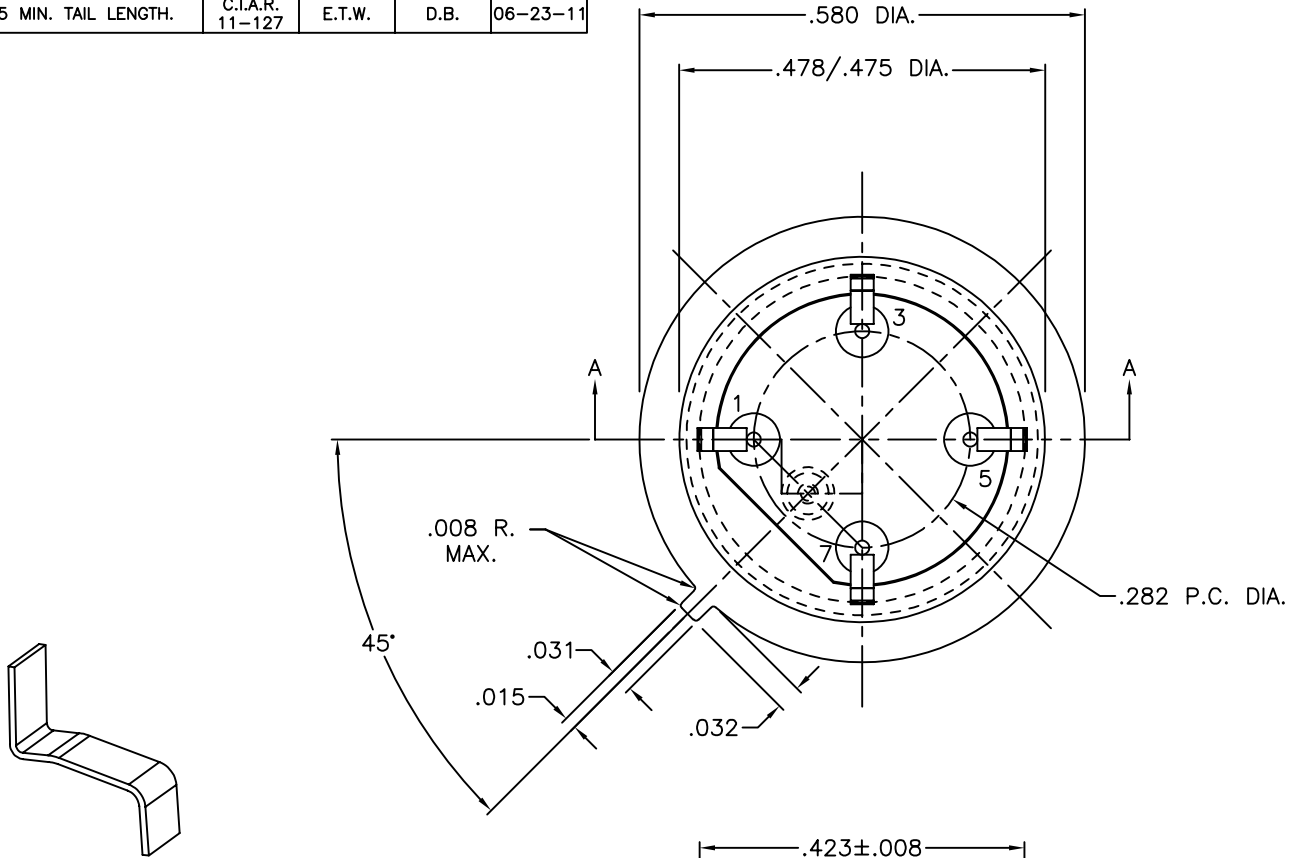


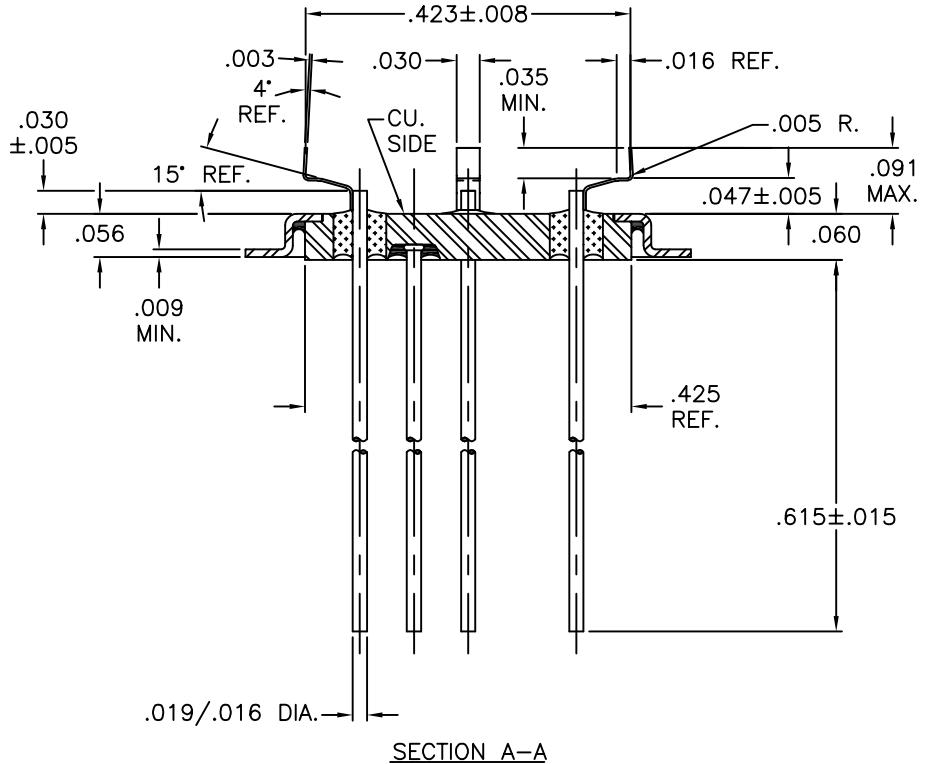
REV	DESCRIPTION OF REVISION	E.C.N.	BY	APPROVED	DATE
A	ADDED .035 MIN. TAIL LENGTH.	C.I.A.R. 11-127	E.T.W.	D.B.	06-23-11




NOTE:
POST HEIGHT IS SPECIFIED OFF THE HIGHEST POINT ON THE POST SIDE.

MATERIAL:
 EYELET - 1010 C.R.S. OR EQUAL.
 FLANGE - 30/70 COPPER CLAD KOVAR.
 GLASS - 7052 OR EQUAL, OPAQUE.
 LEADS - ASTM F-15 ALLOY, KOVAR.
 BRAZE - AG. CU. INDIUM ALLOY.
 MOUNT - 200 NICKEL, 1/2 HARD.

PLATING:
 1. OPTION: RoHS COMPLIANT ELECTROLESS NICKEL PLATE OF 100 MICROINCHES MINIMUM FINAL PLATE.
 2. OPTION: RoHS COMPLIANT ELECTROLESS NICKEL PLATE OF 100 MICROINCHES MINIMUM FOLLOWED BY A RoHS COMPLIANT LEAD FREE SOLDER COAT, ON LEADS ONLY.
 3. OPTION: RoHS COMPLIANT ELECTROLESS NICKEL PLATE OF 100 MICROINCHES MINIMUM FOLLOWED BY A GOLD FLASH OF .99999 PURE 24 KART GOLD UP TO A MAX. OF 8 MICROINCHES.



DRAWN BY: E.T.W. 03-27-06	MATERIAL: SEE ABOVE			TOLERANCING PER ANSI Y14.5 .X ± .005 .XXX ± .005 .XX ± .005 ANG ± 5° UNLESS OTHERWISE SPECIFIED		 Legacy Technologies Inc. 6700 W. 47th TERR. MISSION, KS. 66203 TEL: 913-432-2487 FAX: 913-432-0570
	CHECKED BY: A.B. 03-27-06	APP. SPECS	SUPERSEDES	NEXT ASSY	SCALE: 4:1	
APPROVED BY: M.F. 03-27-06	TITLE: HC-37/U WIDE FLANGE LOW PROFILE				PART NUMBER: LP-T08-017B-CN330S RoHS	A
					FILE: HM00014A	PAGE 1 of 1