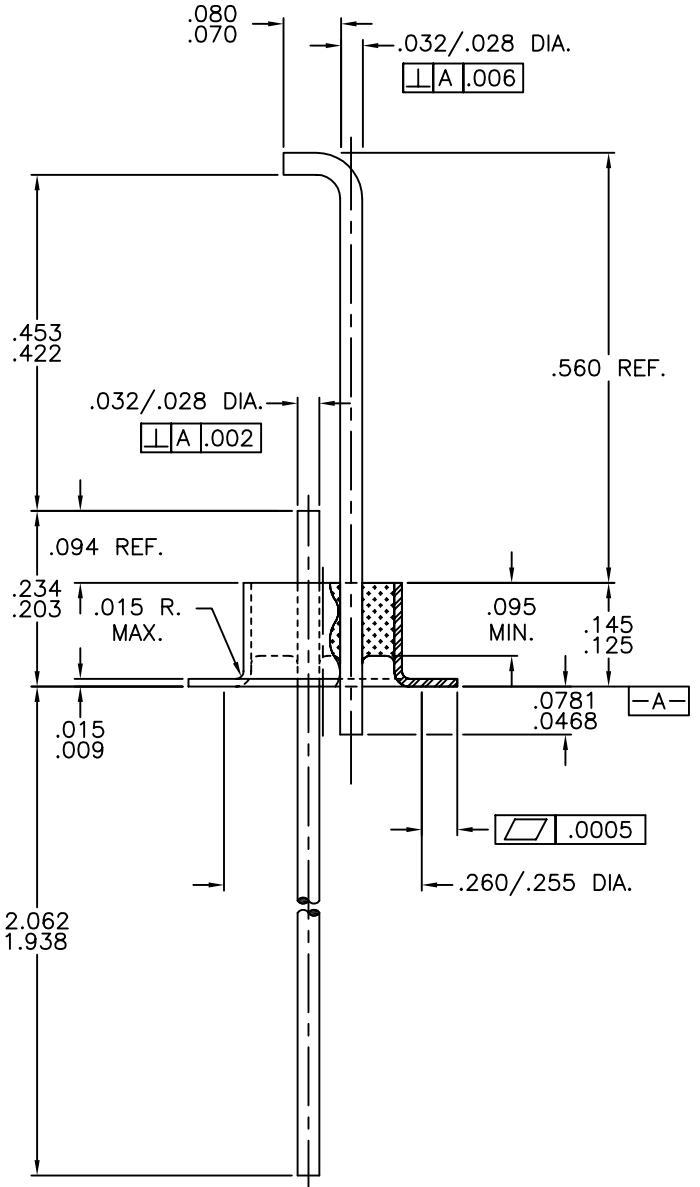
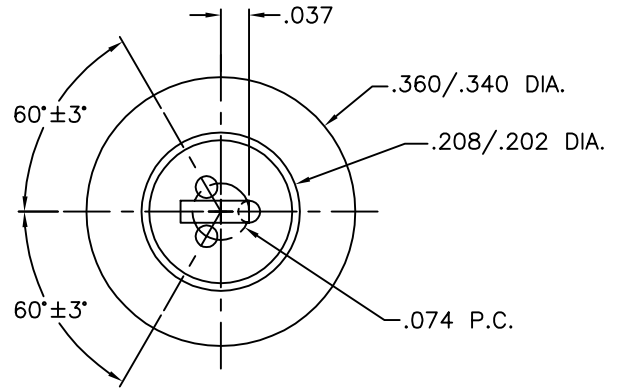


THE INFORMATION CONTAINED IN THIS DRAWING IS THE SOLE PROPERTY OF LEGACY TECHNOLOGIES, INC. ANY REPRODUCTION IN PART OR WHOLE WITHOUT THE WRITTEN PERMISSION OF LEGACY TECHNOLOGIES, INC. IS PROHIBITED.

REV	DESCRIPTION OF REVISION	E.C.N.	BY	APPROVED	DATE
A	CORRECT THE LEAD ON THE HOOKED POST		E.T.W.	D.B.	04-21-14




MATERIAL:

EYELET - ASTM F-15 ALLOY, KOVAR.
 GLASS - 7052 OR EQUAL.
 LEADS - ASTM F-15 ALLOY, KOVAR.

PLATING:

- RoHS COMPLIANT ELECTROLESS NICKEL PLATE OF 100 MICRONS MINIMUM FOLLOWED BY 20 MICRONS MINIMUM OF ELECTROLYTIC GOLD PER MIL-G-45204B, TYPE 3, GRADE A, CLASS 00.

DRAWN BY: E.T.W. 02-27-14	MATERIAL: SEE ABOVE			TOLERANCING PER ANSI Y14.5 .X ± .005 .XXX ± .005 .XX ± .005 ANG ± 5° UNLESS OTHERWISE SPECIFIED		 Legacy Technologies Inc. 6700 W. 47th TERR. MISSION, KS. 66203 TEL: 913-432-2487 FAX: 913-432-0570	PART NUMBER: FT-3502-030C RoHS G35	A
	CHECKED BY: E.T.W. 02-27-14	APP. SPECS	SUPERSEDES	NEXT ASSY	SCALE: 4:1			
APPROVED BY:	TITLE: FEED THRU				FILE: EA00120A	PAGE 1 of 1		