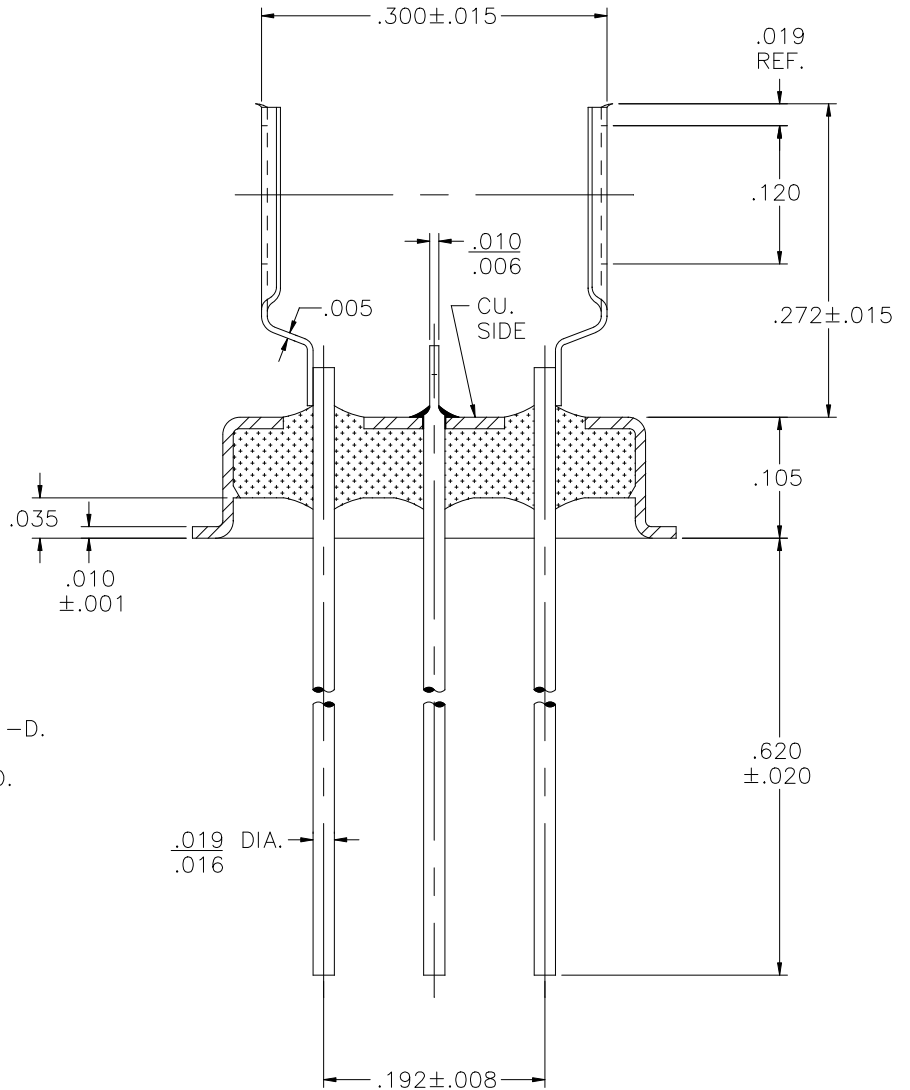
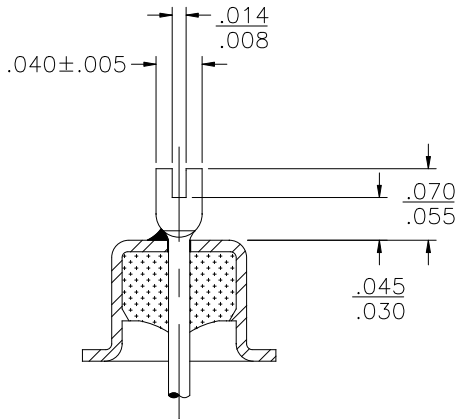
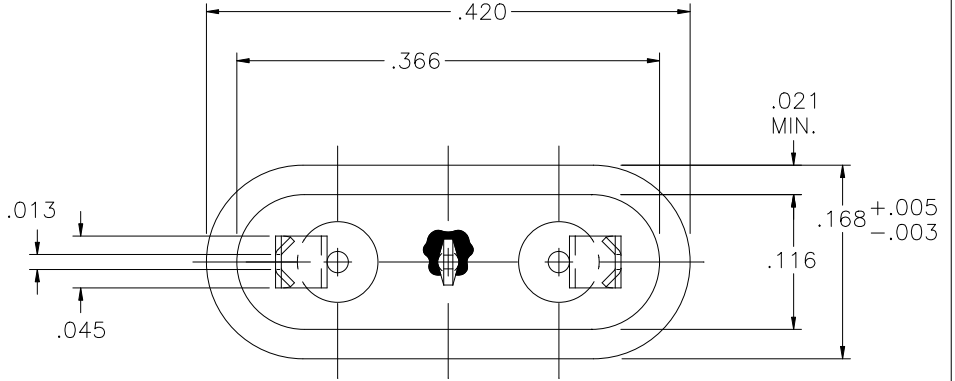


REV	DESCRIPTION OF REVISION	E.C.N.	BY	APPROVED	DATE
A	CORRECTED MAT'L. NOTES, ADDED TIN LEAD ALLOY PER QQ-S-571-D. (RoHS EXEMPTED PER ANNEX 7) NETWORK INFRASTRUCTURE.		E.T.W.		06-01-10




MATERIAL:

- EYELET - 30/70 COPPER CLAD KOVAR.
- GLASS - 7052 OR EQUAL.
- LEADS - ASTM F-15 ALLOY, KOVAR.
- SOLDER - TIN LEAD ALLOY PER QQ-S-571-D.
(RoHS EXEMPTED PER ANNEX 7)
- MOUNT - C770 NICKEL SILVER, FULL HARD.

PLATING:

1. OPTION: RoHS COMPLIANT ELECTROLESS NICKEL PLATE OF 100 MICROINCHES MINIMUM FINAL PLATE.
2. OPTION: RoHS COMPLIANT ELECTROLESS NICKEL PLATE OF 100 MICROINCHES MINIMUM FOLLOWED BY A RoHS COMPLIANT LEAD FREE SOLDER COAT, ON LEADS ONLY.
3. OPTION: RoHS COMPLIANT ELECTROLESS NICKEL PLATE OF 100 MICROINCHES MINIMUM FOLLOWED BY A GOLD FLASH OF .99999 PURE 24 KARAT GOLD UP TO A MAX. OF 8 MICROINCHES.

DRAWN BY: E.T.W. 05-28-10	MATERIAL: SEE ABOVE			TOLERANCING PER ANSI Y14.5 .X ±.005 .XXX ±.005 .XX ±.005 ANG ±5° UNLESS OTHERWISE SPECIFIED		 6700 W. 47th TERR. MISSION, KS. 66203 TEL: 913-432-2487 FAX: 913-432-0570	PART NUMBER: CW-183-CFG-A- WSM006C B.300 RoHS	A
CHECKED BY:	APP. SPECS	SUPERSEDES	NEXT ASSY	SCALE: 6:1	FINISH: UNLESS OTHERWISE SPECIFIED			
APPROVED BY:	TITLE: HC-43/U C.F.G. TYPE W/ SLOT MOUNT							