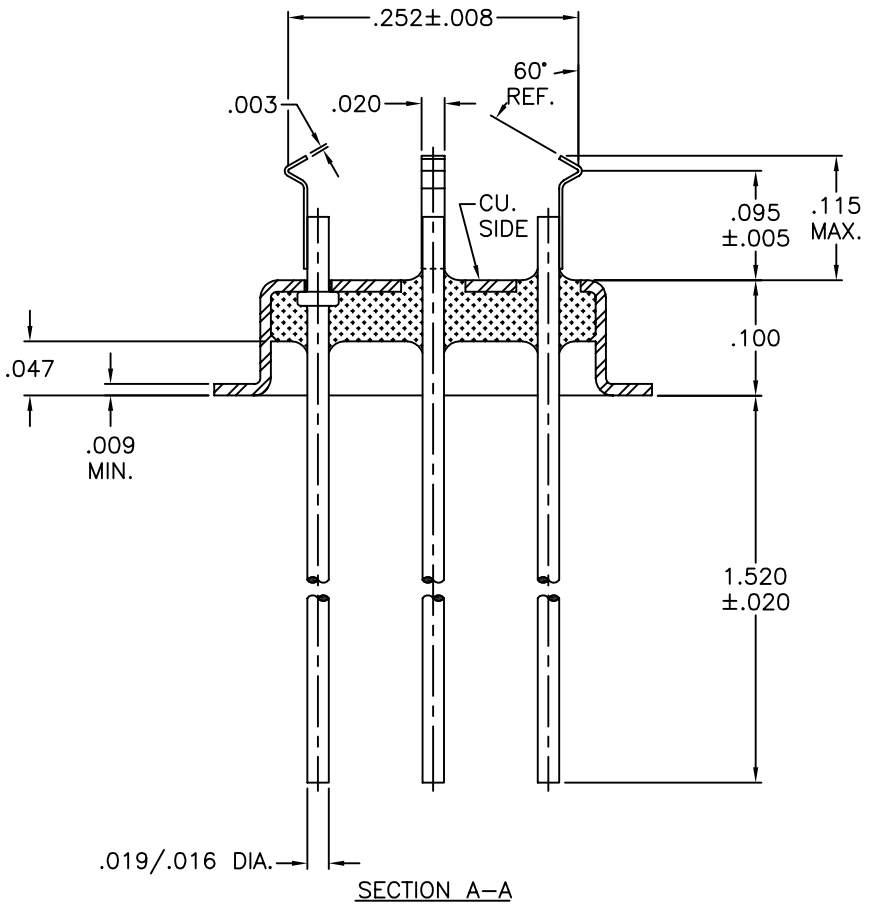
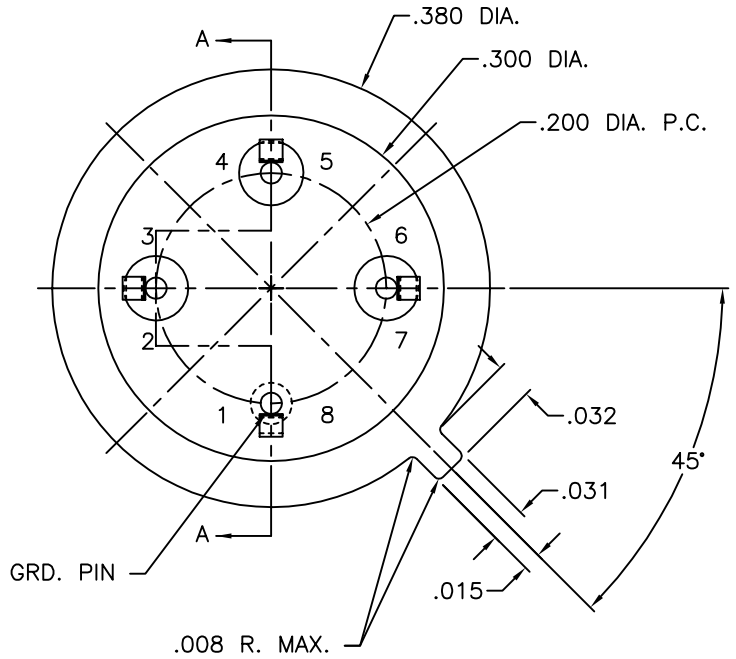


| REV | DESCRIPTION OF REVISION | E.C.N. | BY | APPROVED | DATE |
|-----|-------------------------|--------|----|----------|------|
|-----|-------------------------|--------|----|----------|------|




**MATERIAL:**

- EYELET - 30/70 COPPER CLAD KOVAR.
- GLASS - 7052 OR EQUAL, CLEAR.
- LEADS - ASTM F-15 ALLOY, KOVAR.
- MOUNT - 200 NICKEL, 1/2 HARD.

**PLATING:**

1. ELECTROLESS NICKEL FINAL PLATE OF 100 MICROINCHES MINIMUM.
2. OPTIONAL SOLDER COAT ON LEADS ONLY PER MIL-STD QQ-S-571-D TIN LEAD ALLOY.
3. OPTIONAL GOLD FLASH .99999 PURE 24 KARAT GOLD UP TO A MAX. OF 8 MICROINCHES OVER THE ELECTROLESS NICKEL FINAL PLATE.

|                                 |   |            |            |  |                                  |   |
|---------------------------------|---|------------|------------|--|----------------------------------|---|
| DRAWN BY:<br>E.T.W.<br>08-08-02 | MATERIAL:<br>SEE ABOVE                          |            |            | TOLERANCING PER ANSI Y14.5<br>.X ± .005 .XXX ± .005<br>.XX ± .005 ANG ± 5°<br>UNLESS OTHERWISE SPECIFIED |                                  | <br>Legacy Technologies Inc.<br>6700 W. 47th TERR.<br>MISSION, KS. 66203<br>TEL: 913-432-2487<br>FAX: 913-432-0570 |
|                                 | CHECKED BY:<br>E.T.W.<br>08-08-02               | APP. SPECS | SUPERSEDES | NEXT ASSY  | SCALE: 6:1                       |   |
| APPROVED BY:                    | TITLE:<br>HC-35/U WIDE FLANGE TYPE<br>W/ V-CLIP |            |            |  | PART NUMBER:<br>CW-T05-DZ-VN320H | FILE:<br>GA00134  |
|                                 |   |            |            |  | PAGE                             | 1 of 1  |