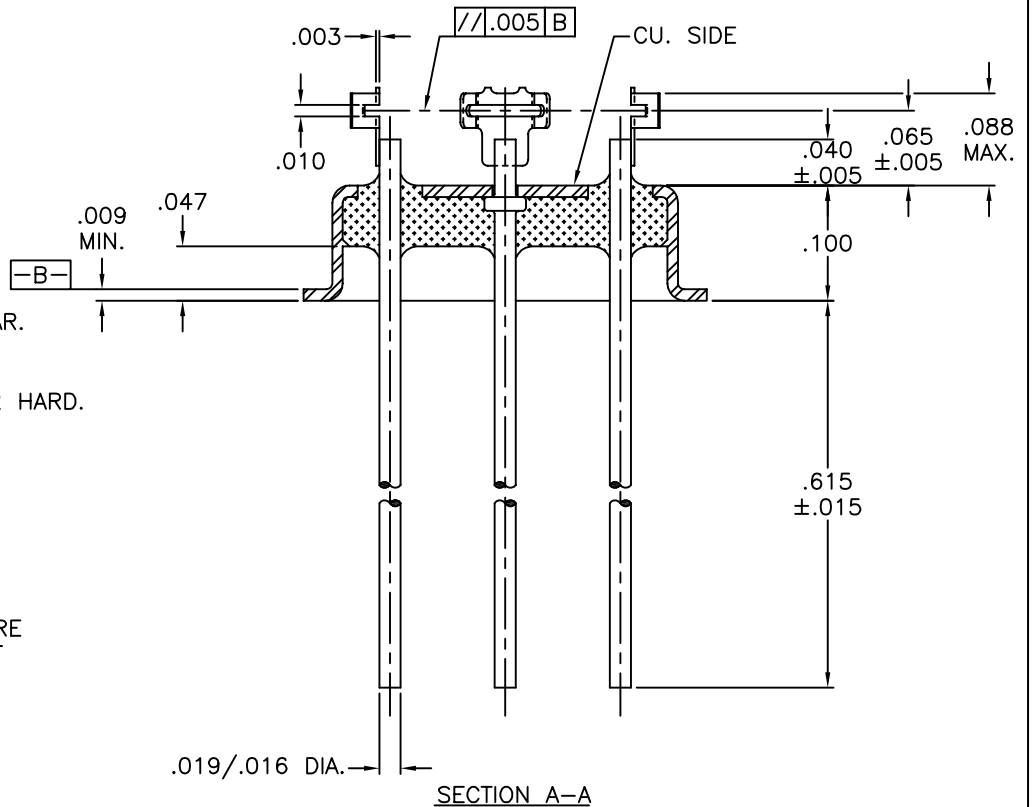
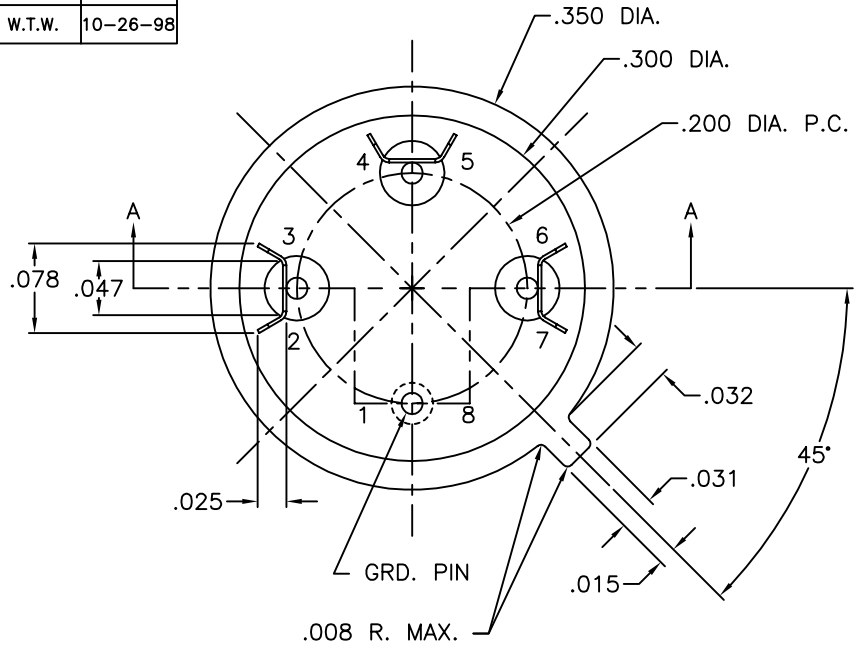


THE INFORMATION CONTAINED IN THIS DRAWING IS THE SOLE PROPERTY OF LEGACY TECHNOLOGIES, INC. ANY REPRODUCTION IN PART OR WHOLE WITHOUT THE WRITTEN PERMISSION OF LEGACY TECHNOLOGIES, INC. IS PROHIBITED.

| REV | DESCRIPTION OF REVISION | E.C.N. | BY | APPROVED | DATE |
|-----|--|--------|--------|----------|----------|
| A | CENTER OF SLOT WAS .072±.005 & .092 MAX. O.A.H. | | E.T.W. | W.T.W. | 10-26-98 |




MATERIAL:

- EYELET - 30/70 COPPER CLAD KOVAR.
- GLASS - 7052 OR EQUAL, OPAQUE.
- LEADS - ASTM F-15 ALLOY, KOVAR.
- MOUNT - 301 STAINLESS STEEL, 1/2 HARD.

PLATING:

1. ELECTROLESS NICKEL FINAL PLATE OF 100 MICROINCHES MINIMUM.
2. OPTIONAL SOLDER COAT ON LEADS ONLY PER MIL-STD QQ-S-571-D TIN LEAD ALLOY.
3. OPTIONAL GOLD FLASH .99999 PURE 24 KARAT GOLD UP TO A MAX. OF 8 MICROINCHES OVER THE ELECTROLESS NICKEL FINAL PLATE.

| | | | | | | |
|------------------------------------|---|------------|------------|--|------------------------------------|--|
| DRAWN BY: TINA MOSS 11-06-96 | MATERIAL: SEE ABOVE | | | TOLERANCING PER ANSI Y14.5 .X ± .005 .XXX ± .005 .XX ± .005 ANG ± 5° UNLESS OTHERWISE SPECIFIED | |  Legacy Technologies Inc. 6700 W. 47th TERR. MISSION, KS. 66203 TEL: 913-432-2487 FAX: 913-432-0570 |
| | CHECKED BY: E.T.W. 11-06-96 | APP. SPECS | SUPERSEDES | NEXT ASSY | SCALE: 6:1 | |
| APPROVED BY: | TITLE: HC-35/U NARROW FLANGE TYPE W/ BH-STYLE MEDIUM PROFILE CLIP 3 PLCS. | | | | PART NUMBER: CW-T05-G-B7200208C | A |
| | | | | | FILE: GA00008 | PAGE 1 of 1 |