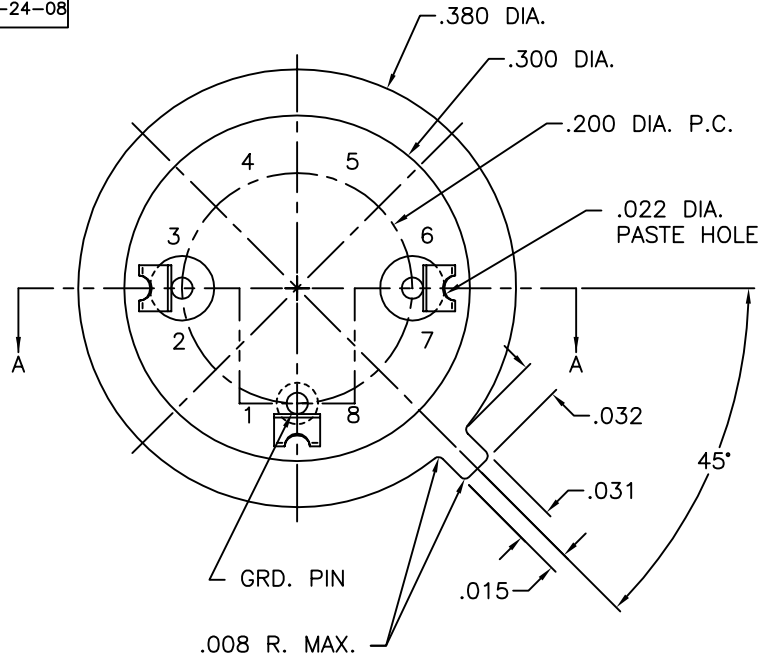
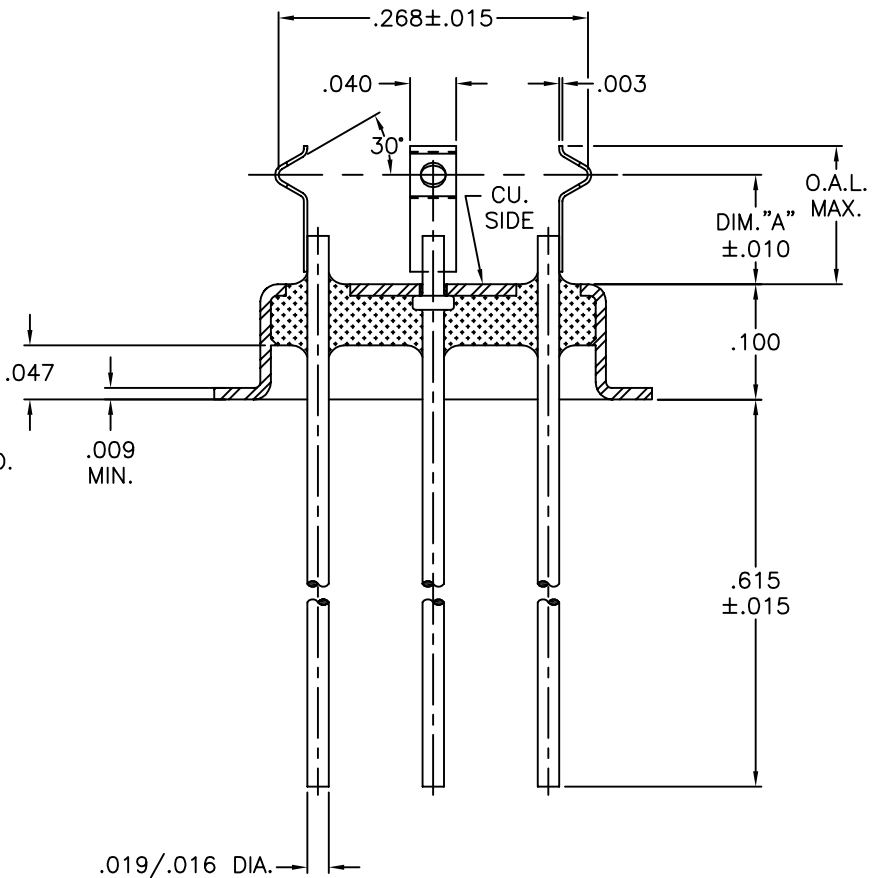


THE INFORMATION CONTAINED IN THIS DRAWING IS THE SOLE PROPERTY OF LEGACY TECHNOLOGIES, INC. ANY REPRODUCTION IN PART OR WHOLE WITHOUT THE WRITTEN PERMISSION OF LEGACY TECHNOLOGIES, INC. IS PROHIBITED.

REV	DESCRIPTION OF REVISION	E.C.N.	BY	APPROVED	DATE
A	CORRECTED O.A.L. ON MOUNT WAS: .090, .105 & .120		E.T.W.	E.T.W.	07-24-08



-CH	.065	.105
-BH	.075	.115
-AH	.095	.130
DASH	"A" DIM.	O.A.L.




MATERIAL:

EYELET - 30/70 COPPER CLAD KOVAR.
 GLASS - 7052 OR EQUAL, CLEAR.
 LEADS - ASTM F-15 ALLOY, KOVAR.
 MOUNT - C770 NICKEL SILVER, FULL HARD.

PLATING:

1. ELECTROLESS NICKEL FINAL PLATE OF 100 MICROINCHES MINIMUM.
2. OPTIONAL SOLDER COAT ON LEADS ONLY PER MIL-STD QQ-S-571-D TIN LEAD ALLOY.
3. OPTIONAL GOLD FLASH .99999 PURE 24 KARAT GOLD UP TO A MAX. OF 8 MICROINCHES OVER THE ELECTROLESS NICKEL FINAL PLATE.

SECTION A-A

DRAWN BY: E.T.W. 07-29-02	MATERIAL: SEE ABOVE	TOLERANCING PER ANSI Y14.5 .X ± .005 .XXX ± .005 .XX ± .005 ANG ± 5° UNLESS OTHERWISE SPECIFIED		 Legacy Technologies Inc. 6700 W. 47th TERR. MISSION, KS. 66203 TEL: 913-432-2487 FAX: 913-432-0570	
CHECKED BY: E.T.W. 07-29-02	APP. SPECS	SUPERSEDES CW-T05-	NEXT ASSY		PART NUMBER: CW-T05-M-VC009(SEE TABLE)
APPROVED BY:	TITLE: HC-35/U WIDE FLANGE TYPE W/ V-CLIP	SCALE: 6:1		FINISH: UNLESS OTHERWISE SPECIFIED <input checked="" type="checkbox"/>	
				FILE: GA00124	PAGE 1 of 1