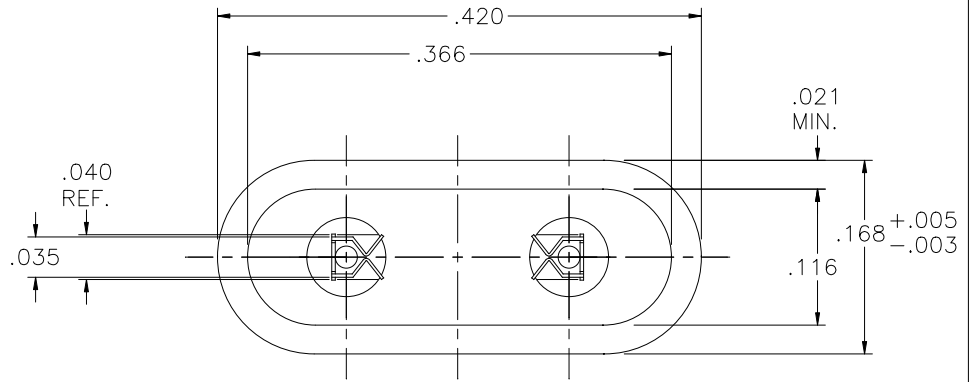
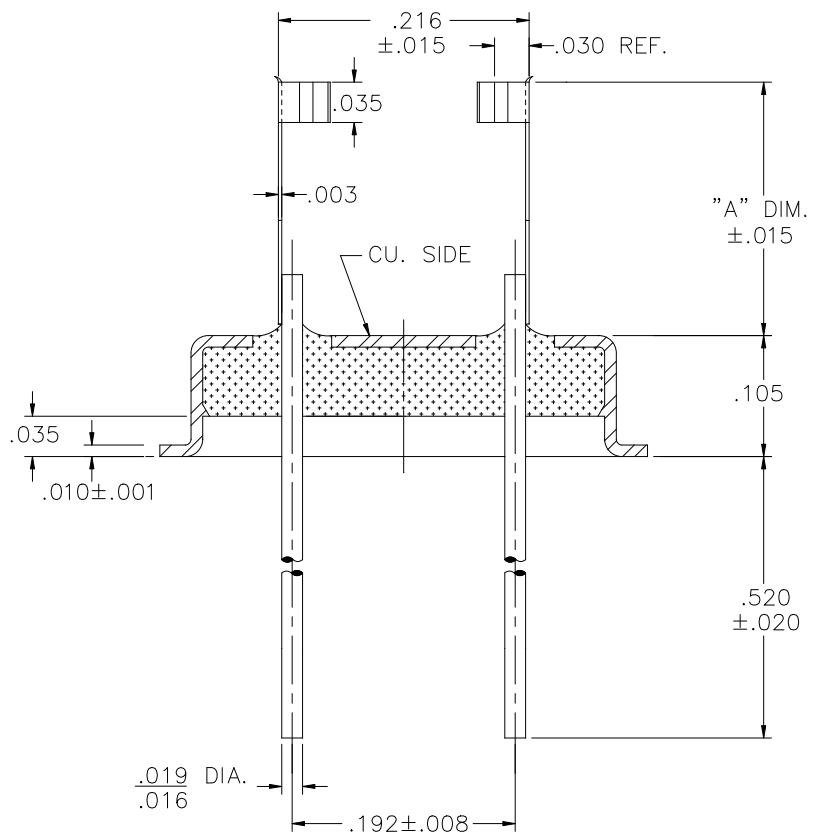


| REV | DESCRIPTION OF REVISION | E.C.N. | BY | APPROVED | DATE |
|-----|-------------------------|--------|----|----------|------|
|-----|-------------------------|--------|----|----------|------|



|      |          |
|------|----------|
| 17K  | .147     |
| 17J  | .235     |
| 17I  | .170     |
| 17E  | .115     |
| 17D  | .195     |
| 17C  | .105     |
| 17B  | .155     |
| 17A  | .220     |
| DASH | "A" DIM. |




**MATERIAL:**

EYELET- 30/70 COPPER CLAD KOVAR.  
 GLASS - 7052 OR EQUAL.  
 LEADS - ASTM F-15 ALLOY, KOVAR.  
 MOUNT- C770 NICKEL SILVER, FULL HARD.

**PLATING:**

1. OPTION: RoHS COMPLIANT ELECTROLESS NICKEL PLATE OF 100 MICROINCHES MINIMUM FINAL PLATE.
2. OPTION: RoHS COMPLIANT ELECTROLESS NICKEL PLATE OF 100 MICROINCHES MINIMUM FOLLOWED BY A RoHS COMPLIANT LEAD FREE SOLDER COAT, ON LEADS ONLY.
3. OPTION: RoHS COMPLIANT ELECTROLESS NICKEL PLATE OF 100 MICROINCHES MINIMUM FOLLOWED BY A GOLD FLASH OF .99999 PURE 24 KARAT GOLD UP TO A MAX. OF 8 MICROINCHES.

|                                 |                                  |  |           |   |
|---------------------------------|----------------------------------|--|-----------|---|
| DRAWN BY:<br>E.T.W.<br>08-18-08 | MATERIAL:<br>SEE ABOVE           | TOLERANCING PER ANSI Y14.5<br>.X ±.005 .XXX ±.005<br>.XX ±.005 ANG ±5°<br>UNLESS OTHERWISE SPECIFIED |           | <br>Legacy Technologies Inc.<br>6700 W. 47th TERR.<br>MISSION, KS. 66203<br>TEL: 913-432-2487<br>FAX: 913-432-0570 |
| CHECKED BY:                     | APP. SPECS                       | SUPERSEDES   | NEXT ASSY |   |
| APPROVED BY:                    | TITLE:<br>HC-43/U<br>W/ TAB CLIP | SCALE: N.T.S. FINISH: UNLESS OTHERWISE SPECIFIED   |           | FILE: LA00011C  |
|                                 |                                  |  |           | PAGE 1 OF 1   |