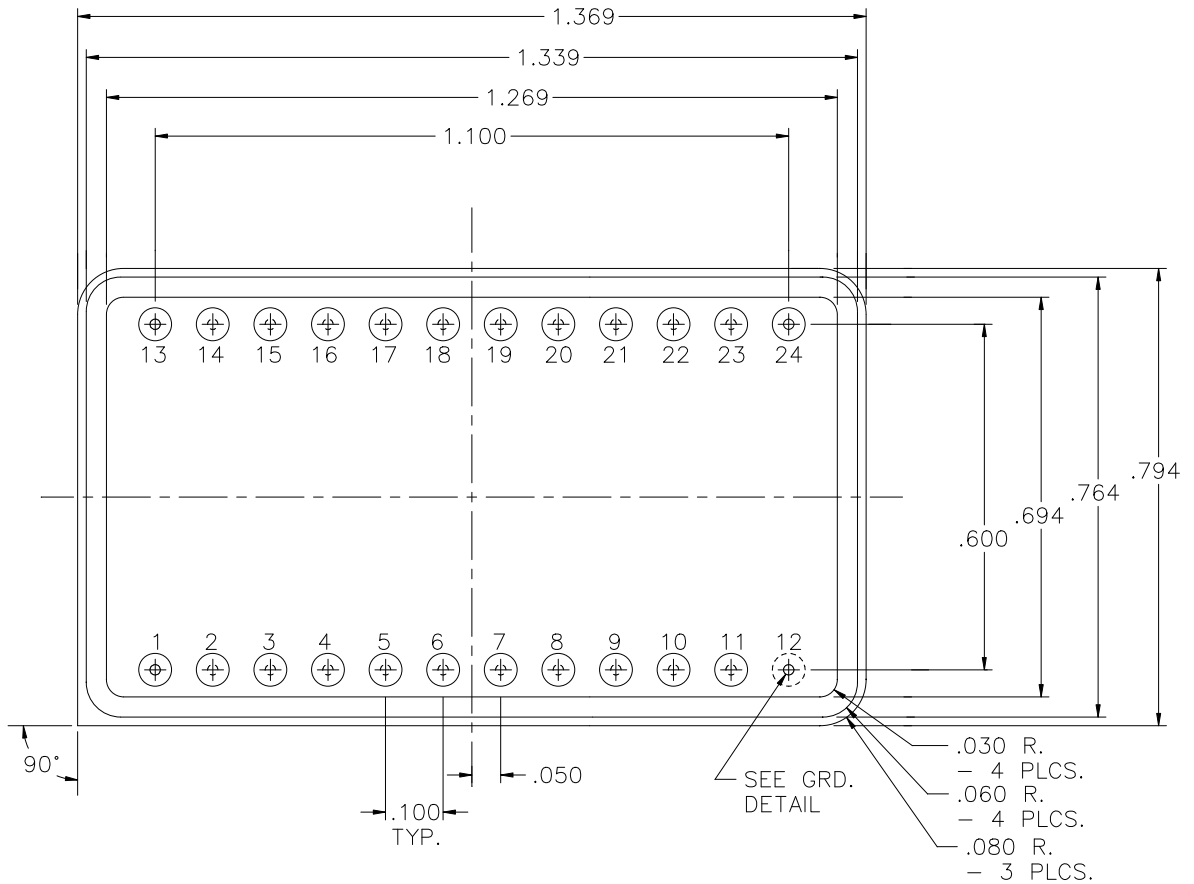
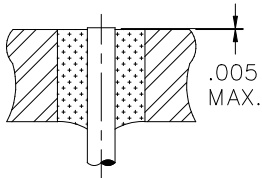


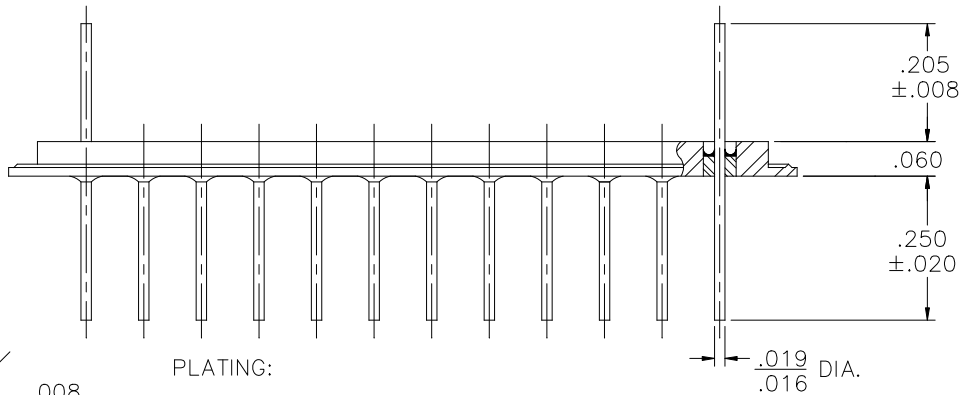
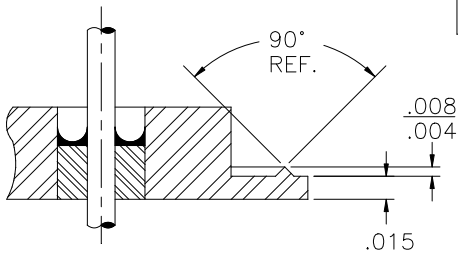
REV	DESCRIPTION OF REVISION	E.C.N.	BY	APPROVED	DATE
-----	-------------------------	--------	----	----------	------



PINS 2 THRU 11  
& PINS 14 THRU 23  
FLUSH LEADS DETAIL  
SCALE: 8:1



PINS 12 GRD. DETAIL  
SCALE: 8:1




PLATING:

1. OPTION: RoHS COMPLIANT ELECTROLESS NICKEL PLATE OF 100 MICROINCHES MINIMUM FINAL PLATE.
2. OPTION: RoHS COMPLIANT ELECTROLESS NICKEL PLATE OF 100 MICROINCHES MINIMUM FOLLOWED BY A RoHS COMPLIANT LEAD FREE SOLDER COAT, ON LEADS ONLY.
3. OPTION: RoHS COMPLIANT ELECTROLESS NICKEL PLATE OF 100 MICROINCHES MINIMUM FOLLOWED BY A GOLD FLASH OF .99999 PURE 24 KARAT GOLD UP TO A MAX. OF 8 MICROINCHES.

MATERIAL:

EYELET - ASTM F-15 ALLOY, KOVAR.  
GLASS - 7052 OR EQUAL.  
LEADS - ASTM F-15 ALLOY, KOVAR.  
BRAZE - BT VTG AG. CU. EUTECTIC.

DRAWN BY: E.T.W. 03-18-11	MATERIAL: SEE ABOVE	TOLERANCING PER ANSI Y14.5 .X ±.005 .XXX ±.005 .XX ±.005 ANG ±5° UNLESS OTHERWISE SPECIFIED		 <p>6700 W. 47th TERR. MISSION, KS. 66203 TEL: 913-432-2487 FAX: 913-432-0570</p>	
CHECKED BY:	APP. SPECS	SUPSEDES	NEXT ASSY		PART NUMBER: RR-7951370-AC RoHS
APPROVED BY:	TITLE: .795 x 1.370 D.I.P. 24 PIN PINS 1,13 & 24 THRU PINS 12 GRD. THRU PINS 2-11 & 14-23 FLUSH LEADS. .205 P.H. .250 L.L.	SCALE: 3:1		FINISH: UNLESS OTHERWISE SPECIFIED	FILE: UG00008A
				PAGE	1 of 1