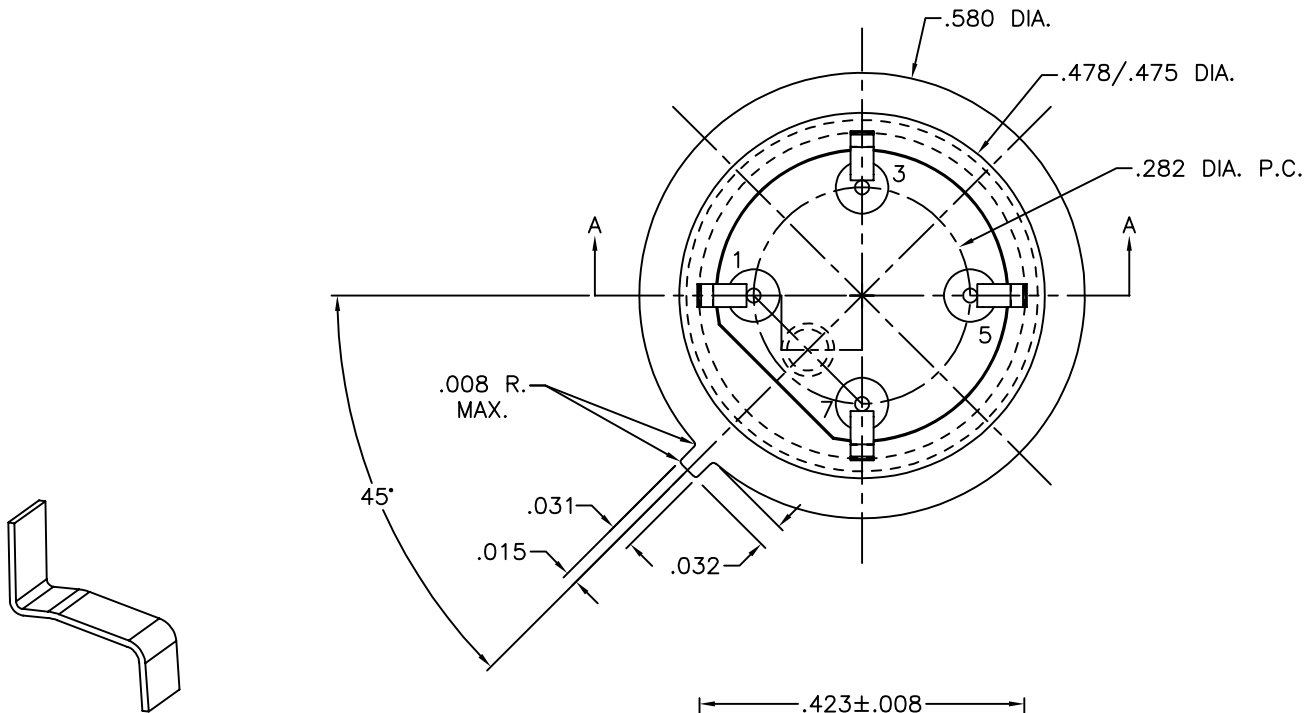


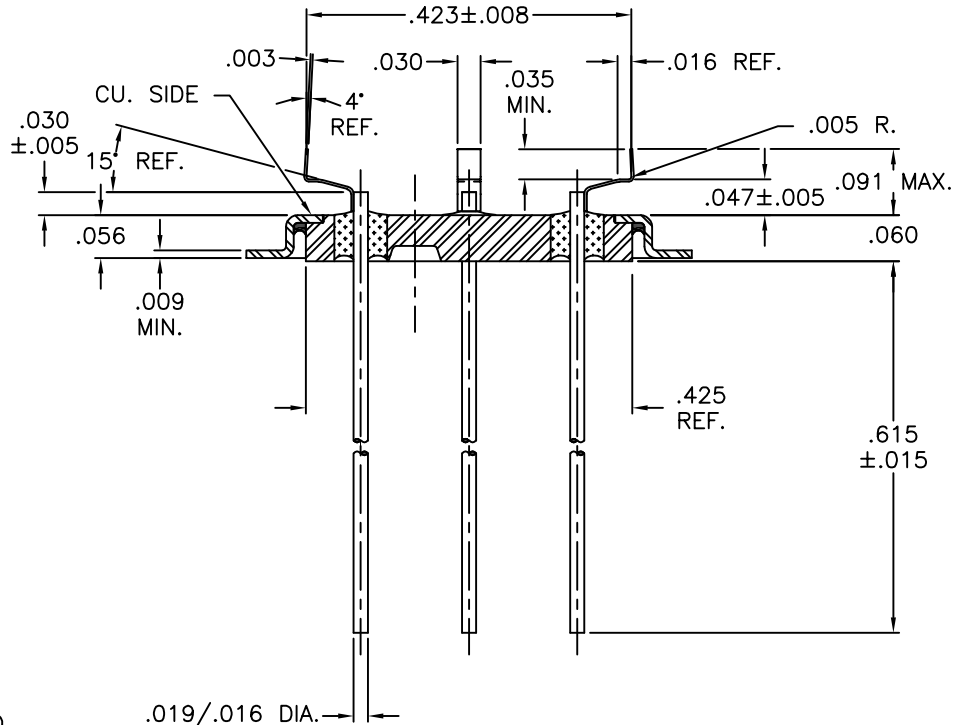
REV	DESCRIPTION OF REVISION	E.C.N.	BY	APPROVED	DATE
A	ADDED .035 MIN. TAIL LENGTH.	C.I.A.R. 11-127	E.T.W.	D.B.	06-23-11




NOTES:
POST HEIGHT IS SPECIFIED OFF THE HIGHEST POINT ON THE POST SIDE.

MATERIAL:
EYELET - 1010 C.R.S. OR EQUAL.
FLANGE - 30/70 COPPER CLAD KOVAR.
GLASS - 7052 OR EQUAL, OPAQUE.
LEADS - ASTM F-15 ALLOY, KOVAR.
BRAZE - AG. CU. INDIUM ALLOY.
MOUNT - 200 NICKEL ALLOY, 1/2 HARD.

PLATING:
1. OPTION: RoHS COMPLIANT ELECTROLESS NICKEL PLATE OF 100 MICROINCHES MINIMUM FINAL PLATE.
2. OPTION: RoHS COMPLIANT ELECTROLESS NICKEL PLATE OF 100 MICROINCHES MINIMUM FOLLOWED BY A RoHS COMPLIANT LEAD FREE SOLDER COAT, ON LEADS ONLY.
3. OPTION: RoHS COMPLIANT ELECTROLESS NICKEL PLATE OF 100 MICROINCHES MINIMUM FOLLOWED BY A GOLD FLASH OF .99999 PURE 24 KART GOLD UP TO A MAX. OF 8 MICROINCHES.



SECTION A-A

DRAWN BY: E.T.W. 10-13-06		MATERIAL: SEE ABOVE		TOLERANCING PER ANSI Y14.5 .X ± .005 .XXX ± .005 .XX ± .005 ANG ± 5° UNLESS OTHERWISE SPECIFIED		 Legacy Technologies Inc. 6700 W. 47th TERR. MISSION, KS. 66203 TEL: 913-432-2487 FAX: 913-432-0570		
CHECKED BY: E.T.W. 10-13-06		APP. SPECS CINOX P/N: GP-80794 REF.	SUPERSEDES CROVEN P/N: 370-46 REF.	SCALE: 4:1				FINISH: UNLESS OTHERWISE SPECIFIED <input checked="" type="checkbox"/>
APPROVED BY: D.B. 10-13-06		TITLE: HC-37/U WIDE FLANGE LOW PROFILE				PART NUMBER: LP-T08-017C-CN330S RoHS		A
				FILE: HM00013A		PAGE 1 of 1		